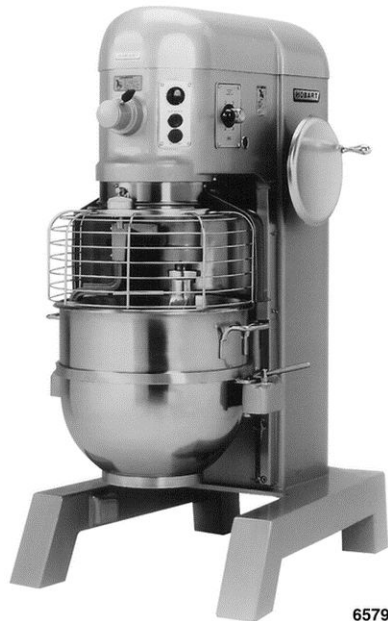




CATALOG OF REPLACEMENT PARTS

H600 / H600T CLASSIC MIXER



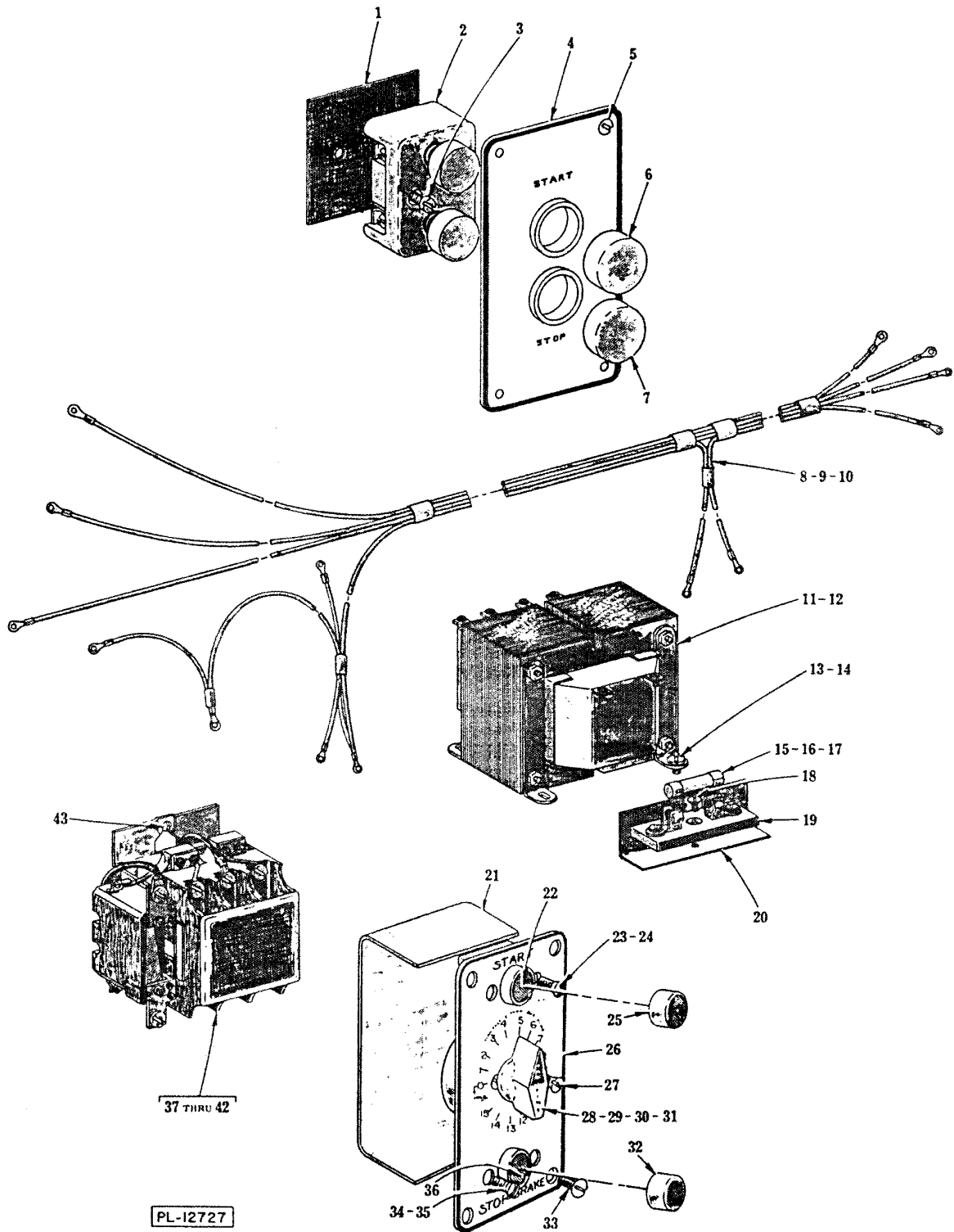
ML-17395
ML-31446
ML-17396
ML-18668

H600
H600
H600T
H600T

6579

Table of Contents

5	TIMER AND CONTROL UNIT F12314
7	BASE AND PEDESTAL UNIT F12314
9	SHIFTING UNIT F12314
11	MOTOR AND BRAKE UNIT F12314
13	TRANSMISSION CASE UNIT F12314
15	BOWL SUPPORT AND LIFT UNIT F12314
17	POWER BOWL LIFT UNIT F12314
21	TRANSMISSION UNIT F12314
25	PLANETARY AND ATTACHMENT HUB UNIT F12314
29	BOWLS AND EQUIPMENT F12314
31	AGITATORS F12314



TIMER AND CONTROL UNIT F12314

TIMER AND CONTROL UNIT F12314

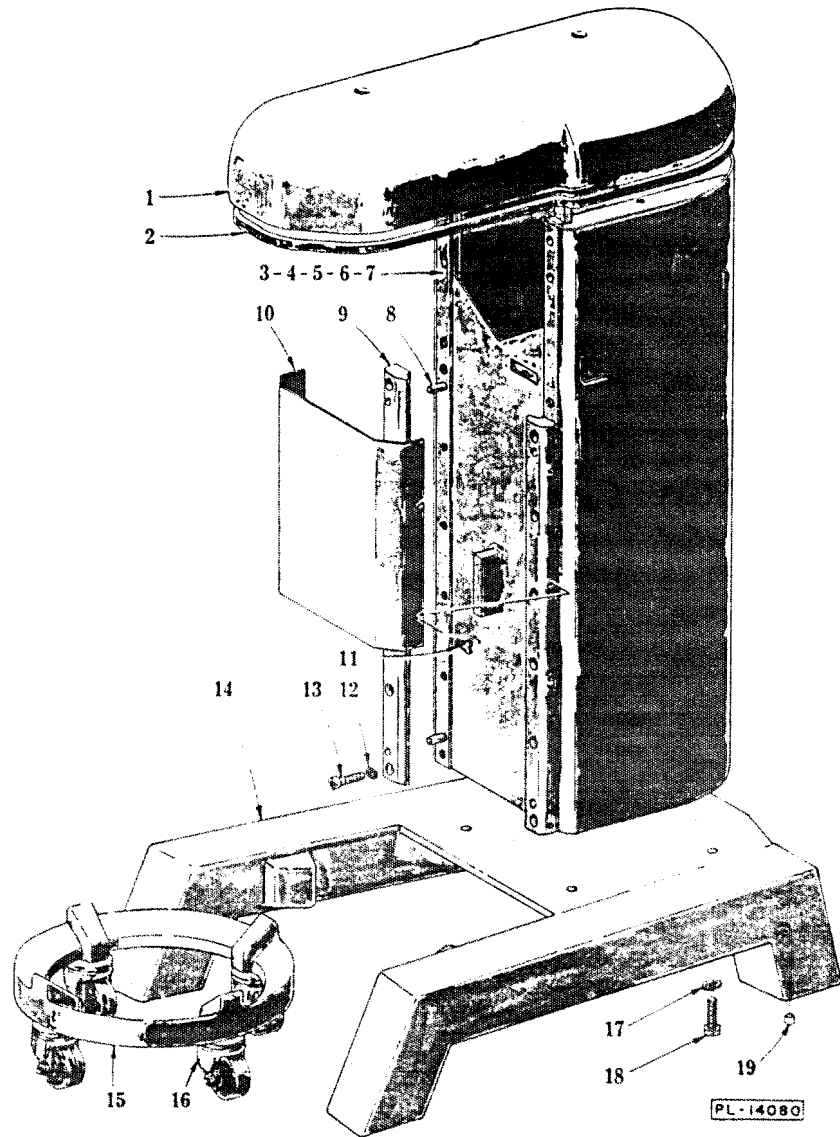
ILLUS. PL-12727	PART NO.	NAME OF PART	AMT.
1	M-69485	Insulation - Push Button Station.....	1
2	B-102230	Push Button Station Sub-Assy.....	1
3	SC-12-36	Mach. Screw - #10-24 x 3/4" Fil. Hd.....	2
4	C-117850	Plate - Switch.....	1
5	SD-15-15	Self-Tapping Screw - #8-32 x 3/8" Truss Hd. "Taptite".....	4
6	M-68984-1	Cap - Push Button (Start).....	1
7	M-68984-2	Cap - Push Button (Stop).....	1
8	C-102537	Harness - Wiring.....	1
*9	E-117271	Harness - Wiring.....	1
**10	C-102536	Harness - Wiring (Use with C-102537 or E-117271).....	1
**11	B-101935	Transformer (200 V., 220 V., 230 V., 460 V. to 115 V.).....	1
**12	A-102728	Transformer (380 V. (Only) to 115 V.).....	1
**13	SC-8-9	Mach. Screw - #10-24 x 3/8" Rd. Hd.....	4
**14	WL-3-20	Lock Washer - #10 x .055" x .040".....	4
*15	FE-14-19	Fuse (1.5 Amp.) (Time Delay).....	1
**16	FE-7-34	Fuse (1.5 Amp.) (380 V., 50 Hz.).....	1
**17	FE-9-25	Fuse (.5 Amp.).....	1
**18	SC-13-11	Mach. Screw - #6-32 x 1/4" Flat Hd.....	1
**19	M-83392	Fuse Block.....	1
**20	M-85432	Insulator - Fuse.....	1
*21	M-69918	Insulator - Push Button Station.....	1
*22	A-102228	Push Button Station Sub-Assy. (Start).....	1
*23	SC-15-26	Mach. Screw - #8-32 x 5/16" Oval Hd.....	2
*24	WS-2-18	Washer.....	2
*25	A-102467-1	Cap - Push Button (Start).....	1
*26	C-117853	NLA - Obsolete--Plate - Timer (15 Min.).....	1
*27	SC-13-7	Mach. Screw - #5-40 x 1/4" Flat Hd.....	2
*28	A-103228	NLA - Obsolete--Timer & Gasket Assy. (15 Min.).....	1
*29	A-103229	NLA - Obsolete--Timer, Dial & Gasket Assy. (30 Min.) (Incls. item #30).....	1
*30	B-73540	Dial - Timer (30 Min. Timer).....	1
*31	C-87532-11	Lead Wire Assy. (Timer to Stop Button).....	1
*32	A-102467-2	Cap - Push Button (Stop).....	1
*33	SD-15-15	Self-Tapping Screw - #8-32 x 3/8" Truss Hd. "Taptite".....	4
*34	SC-15-26	Mach. Screw - #8-32 x 5/16" Oval Hd.....	2
*35	WS-2-18	Washer.....	2
*36	A-102229	NLA - Obsolete--Push Button Station Sub-Assy. (Stop).....	1
37	P-87712-25-1	NLA - Obsolete--Starter - Magnetic (208-230 V., 60 Cy., 1 Ph.) (Less Elements) Refer to TSB 633 When Replacing Component.....	1
38	P-87712-25-2	NLA - Obsolete--Starter - Magnetic (115 V., 50/60 Hz., 1 Ph.) (Less Elements) Refer to TSB 633 When Replacing Component.....	1
**39	P-87712-25-3	NLA - Obsolete--Starter - Magnetic (200/230 V., 60 Hz., 1 Ph.; 220 V., 50 Hz., 1 Ph.) (Less Elements) Refer to TSB 633 When Replacing Component.....	1
40	P-87712-21-1	Starter - Magnetic (200/230 V., 60 Hz., 3 Ph.; 220 V., 50 Hz., 3 Ph.) (Less Elements) Refer to TSB 633 When Replacing Component.....	1
***41	P-87712-21-2	Starter - Magnetic Refer to TSB 633 When Replacing Component.....	1
****42		Heater Element - Magnetic Starter.....	AR
43	SC-7-37	Mach. Screw - #8-32 x 1/4" Rd. Hd.....	1

* H-600-T ONLY.

** W/Pilot Circuit.

*** (460 V., 60 Hz., 3 Ph., 380 V., 50 Hz., 3 Ph.) (200/230 V., 60 Hz., 3 Ph.; 220 V., 50 Hz., 3 Ph.; W/Pilot Circuit) (Less Elements)

**** Give Elec. Spec. Mach. Model & Motor Type



BASE AND PEDESTAL UNIT F12314

BASE AND PEDESTAL UNIT F12314

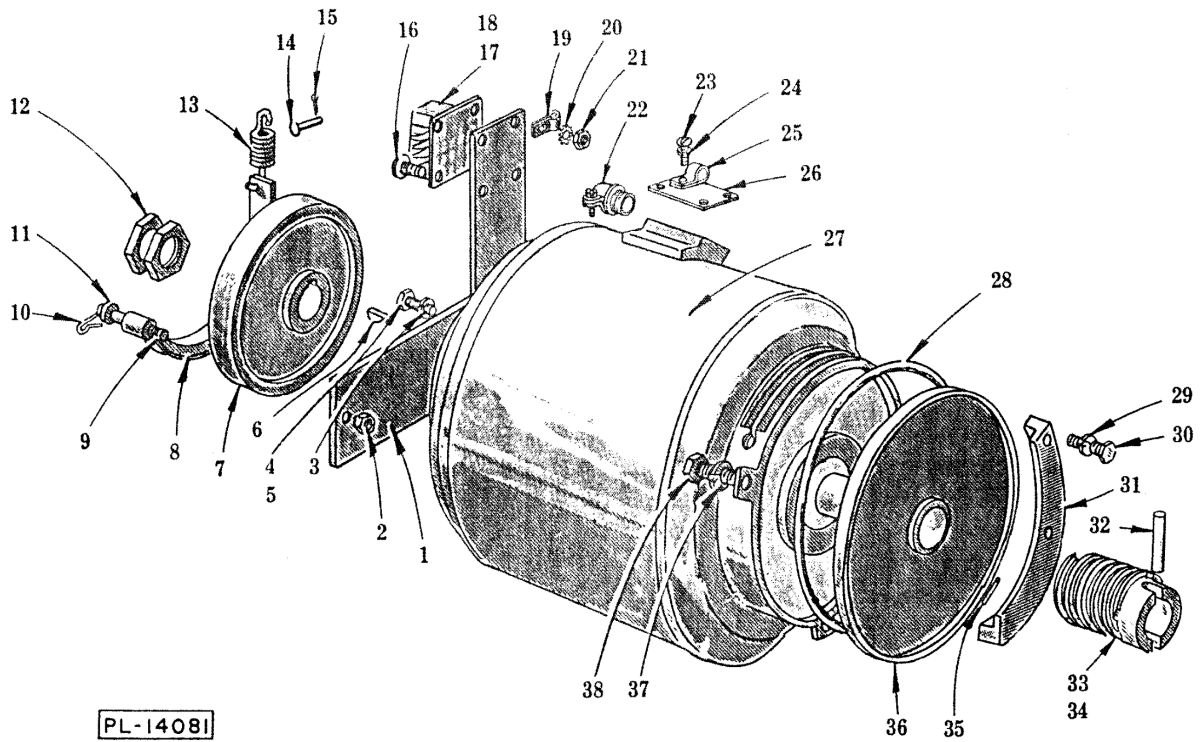
ILLUS.	PART NO.	NAME OF PART	AMT.
PL-14080			
1	00-913107	Kit, Top Cover Assy. (Incls. item #2).....	1
2	M-24781-2	Seat - Top Cover.....	1
3	B-117447-1	Pedestal Assy. (Incls. item #8).....	1
*4	B-117447-3	Pedestal Assy. (Incls. item #8).....	1
5	C-118544-1	Lug - Solderless.....	1
6	SD-24-1	Self-Tapping Screw - #10-24 x 3/8" Pan Hd. "Taptite".....	1
7	WL-10-6	Lock Washer - #10 Ext. Shakeproof.....	1
8	D-11800-143	Dowel.....	2
9	R-24189-3	Slideway - Pedestal.....	2
10	S-24260	Apron - Pedestal.....	1
11	P-70641-9	Thumb Screw.....	4
12	WL-4-2	Lock Washer - 3/8" x .136" x .070".....	12
13	SD-15-12	Self-Tapping Screw - 3/8"-16 x 1-1/2" Soc. Fil. Hd. "Taptite".....	12
14	E-110222	Base.....	1
15	R-21922-1	Bowl Truck Assy. (Incls. item #16).....	1
16	B-87669-1	Caster.....	4
17	WL-4-11	Lock Washer - 1/2" x .171" x .125".....	4
18	SC-62-83	Fin. Bolt - 1/2"-13 x 1-1/2" Hex Hd.....	4
19	A-116395	Plug - Base.....	4

* Power Bowl Lift

SHIFTING UNIT F12314

ILLUS. PL-12728	PART NO.	NAME OF PART	AMT.
1	P-24249	Gear Shift Cam Assy.....	1
2	RP-2-5	Rollpin 1/4" Dia. x 7/8" Lg.....	1
3	P-60359	Bracket - Gear Shift.....	1
4	WL-3-44	Lock, Washer - 5/16" x .125" x .078".....	4
5	SC-40-14	Cap Screw - 5/16"-18 x 3/4" Soc. Fil. Hd.....	4
6	B-61922-2	Hub & Cam Assy.....	1
*7	M-60394	Hub & Cam Assy.....	1
8	RP-2-10	Rollpin - 3/16" Dia. x 1" Lg.....	1
9	M-60400	Shaft - Gear Shift.....	1
10	D-67500-6	"O" Ring - Shifter Shaft.....	1
11	C-117873-1	Plate - Shift Selector.....	1
12	SD-15-15	Self-Tapping Screw - #8-32 x 3/8" Truss Hd. "Taptite".....	4
13	RP-2-3	Rollpin - 3/16" Dia. x 1-1/4" Lg.....	1
14	M-60395	Grommet - Gear Shift.....	1
15	M-60469	Handle and Hub Assy.....	1
16	M-60468	Knob - Gear Shift.....	1
*17	P-87711-71-1	Switch - Interlock.....	1
*18	SC-9-45	Mach. Screw #6-32 x 1" Rd. Hd.....	2
*19	WL-3-7	Lock Washer #6 x .040" x .025".....	2
*20	M-60679	Insulator.....	1
21	BA-2-18	Ball - 3/8" Dia.....	2
22	V-7009	Spring.....	2
23	M-24230	Plunger - Shifting Yoke.....	4
24	M-24233	Spring - Shifting Plunger.....	4
25	M-60723	Screw - Shifting Plunger.....	4
26	M-24232	Nut - Plunger Screw.....	3
27	R-24229	Yoke Upper Shifting.....	1
28	M-24227	Shaft Shifter.....	1
29	R-24228	Yoke Lower Shifting.....	1
30	PC-3-24	Cotter Pin - 1/16" x 1-1/2".....	1

* For H-600-T ONLY.



MOTOR AND BRAKE UNIT F12314

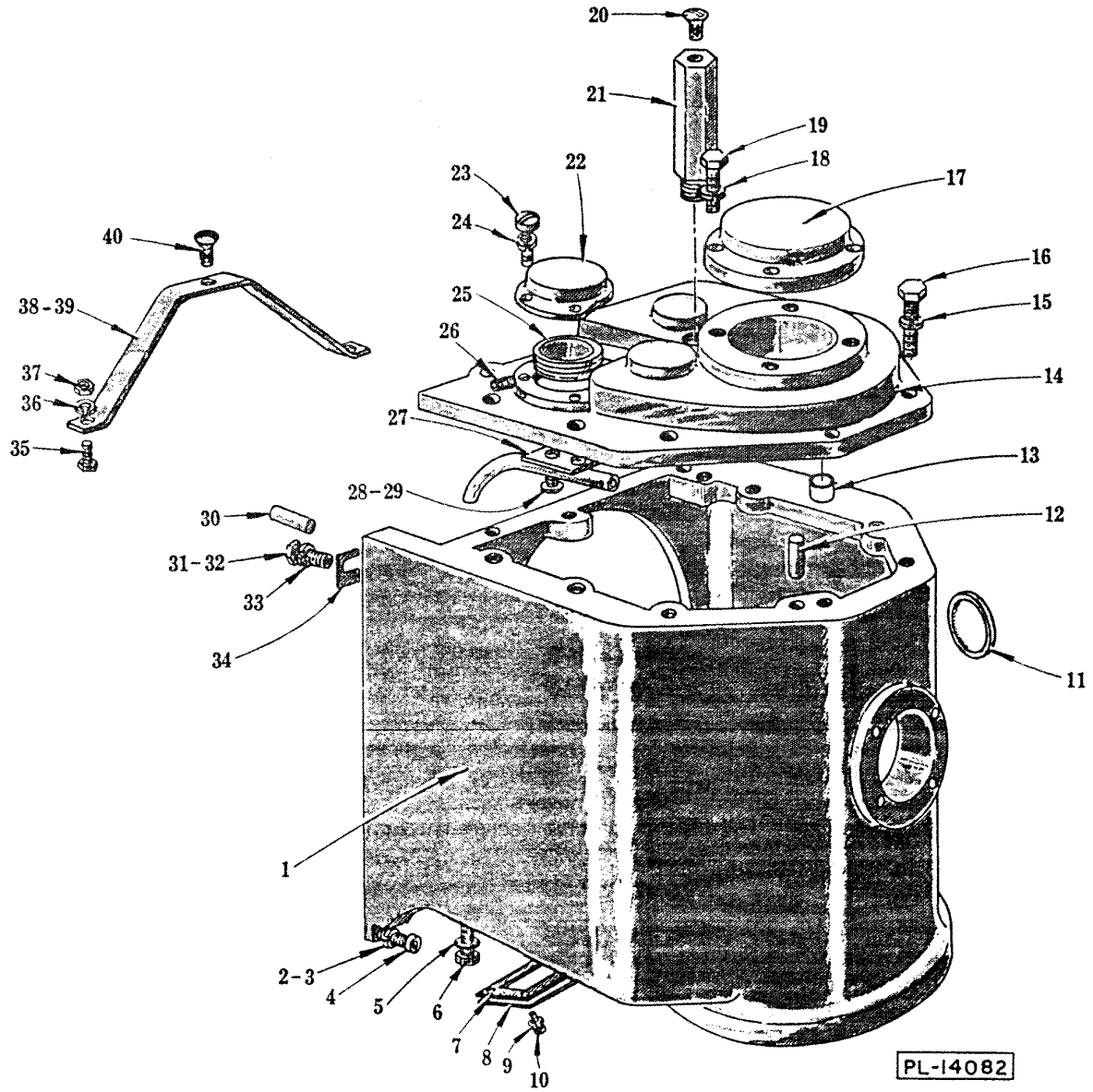
MOTOR AND BRAKE UNIT F12314

ILLUS.	PART NO.	NAME OF PART	AMT.
PL-14081			
*1	P-24771	Brake Mounting Bracket Assy.....	1
*2	NS-32-7	Stop Nut - 1/4"-20 "Flexloc".....	1
3	WL-3-43	Lock Washer - 5/16" x .117" x .056".....	4
4	SC-36-28	Fin. Bolt - 5/16"-18 x 1-1/4" Hex Hd. (1-1/2 H.P. Motor).....	4
5	SC-37-75	Fin. Bolt - 5/16"-18 x 3/4" Hex Hd. (1 H.P. Motor).....	4
*6	KW-3-5	Key - #405 Woodruff.....	1
*7	R-60777	Drum - Motor Brake.....	1
*8	P-24776	Brake Band Assy.....	1
*9	M-24774	Stud - Brake Band.....	1
*10	PC-3-32	Cotter Pin - 3/32" x 1/2".....	1
*11	WS-3-20	Washer.....	1
12	V-6566	Nut - Lock.....	2
*13	M-24775	Spring - Motor Brake.....	1
*14	M-63201	Pin - Solenoid Clevis.....	1
*15	PC-3-23	Cotter Pin - 1/16" x 1/2".....	1
*16	SC-7-41	Mach. Screw - #8-32 x 3/8" Rd. Hd.....	4
17	P-23926-1	Solenoid - Brake (200-240 V.).....	1
18	P-23926-7	Solenoid - Brake (115 V.).....	1
*19	M-24167-1	Clamp - Lead Support.....	1
*20	WL-7-6	Lock Washer - #8 Ext. Shakeproof.....	4
*21	NS-9-12	Mach. Nut #8-32 Hex.....	4
22	FE-2-33	Connector - Straight (3/4" Male Thd. x 3/4" Flex. Cnd.).....	1
23	SC-7-67	Mach. Screw - #8-32 x 5/16" Rd. Hd.....	4
24	WL-3-15	Lock Washer - #8 x .047" x .031".....	4
25	M-78752-6	Clamp.....	1
26	M-24726-1	Cover - Motor Junction Box.....	1
27		Motor (see H600 Motor Spec Sheet in Multimedia).....	1
28	D-67500-24	"O" Ring - Bearing Bracket.....	1
29	WL-3-43	Lock Washer - 5/16" x .117" x .056".....	2
30	SC-036-27	Cap Screw 5/16-18 x 1 Hex Hd.....	2
31	P-24610	Guide - Oil Flinger.....	1
32	RP-2-6	Rollpin - 1/4" Dia. x 1" Lg.....	1
33	M-24298	Worm - Drive (5T, 60 Hz.).....	1
34	M-24291	Worm - Drive (5T, 50 Hz.).....	1
35	RP-2-4	Rollpin 3/16" Dia. x 1-5/8" Lg.....	1
36	P-24257-2	Flinger and Hub Assy.....	1
37	WL-4-12	Lock Washer - 1/2" x .170" x .099".....	3
38	SC-36-98	Fin. Bolt - 1/2"-13 x 1-1/4" Hex Hd.....	3
**	R-24770-1	NLA - Obsolete--Motor Brake Assy.....	1
***	R-24770-2	NLA - Obsolete--Motor Brake Assy.....	1

* (115 V., 50/60 Hz., 1 Ph.) (460 V., 60 Hz., 3 Ph.; 380 V., 50 Hz., 3 Ph.) (200/230 V., 60 Hz., 1 & 3 Ph.; 220 V., 50 Hz., 1 & 3 Ph.; W/Pilot Circuit) -- H-600-T ONLY.

** (115 V., 50/60 Hz., 1 Ph.) (460 V., 60 Hz., 3 Ph.; 380 V., 50 Hz., 3 Ph.) (200/230 V., 60 Hz., 1 & 3 Ph.; 220 V., 50 Hz., 1 & 3 Ph.; W/Pilot Circuit) -- H-600-T ONLY.
-- (115 V., 50/60 Hz., 1 Ph.) (460 V., 60 Hz., 3 Ph.; 380 V., 50 Hz.,
3 Ph.) (200/230 V., 60 Hz., 1 & 3 Ph. 220 V., 50 Hz., 1 & 3 Ph., W/Pilot Circuit) (Incls. items #1, 2, 8, 9, 10, 11, 13, 14, 15, 16, 18, 19, 20 & 21)

*** (115 V., 50/60 Hz., 1 Ph.) (460 V., 60 Hz., 3 Ph.; 380 V., 50 Hz., 3 Ph.) (200/230 V., 60 Hz., 1 & 3 Ph.; 220 V., 50 Hz., 1 & 3 Ph.; W/Pilot Circuit) -- H-600-T ONLY.
-- (Incls. items #1, 2, 8, 9, 10, 11, 13, 14, 15, 16, 17, 19, 20 & 21)

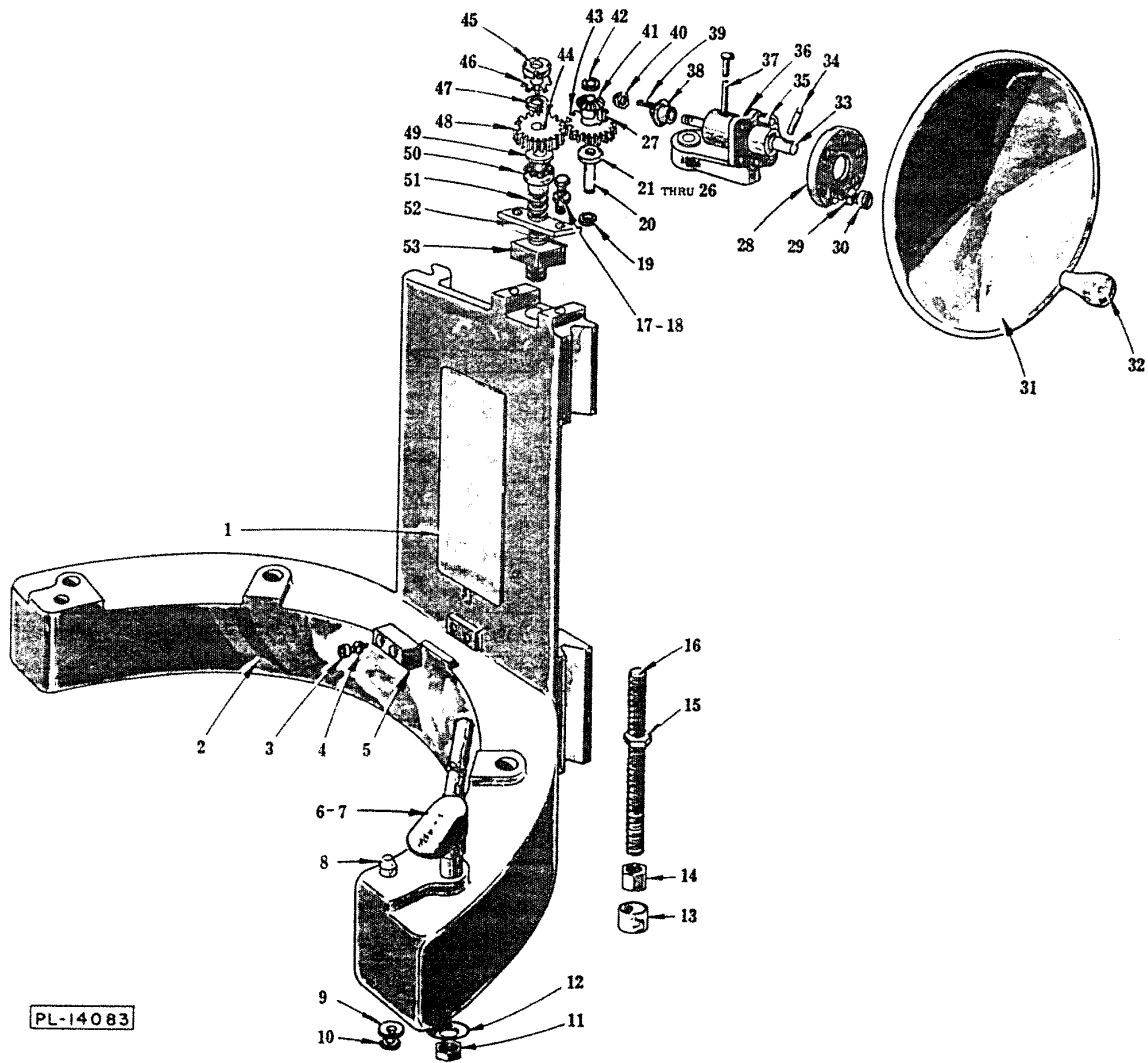


TRANSMISSION CASE UNIT F12314

TRANSMISSION CASE UNIT F12314

ILLUS.	PART NO.	NAME OF PART	AMT.
PL-14082			
1	E-120561	Case - Transmission.....	1
2	WL-4-13	Lock Washer - 1/2" x .171" x .125".....	1
3	WL-4-14	Lock Washer - 1/2" x .109" x .172".....	1
4	SC-40-36	Cap Screw - 1/2"-13 x 1-3/4" Soc. Fil. Hd.....	2
5	WS-21-21	Washer (Scaling).....	1
6	SC-62-60	Fin. Bolt - 1/2"-20 x 1" Hex Hd.....	1
7	M-24665	Gasket - Transmission Case Cover Plate.....	1
8	M-24264-1	Plate - Transmission Case Cover.....	1
9	WL-3-15	Lock Washer #8 x .047" x .031".....	4
10	SC-68-14	Mach. Screw #8-32 x 3/8" Trimmed Hex Hd.....	4
11	M-22793	Gauge - Oil Level.....	1
12	D-11800-224	Dowel.....	2
13	V-24670	Insulator - Fiber.....	1
14	T-24203	Cover - Transmission Case.....	1
15	WL-4-2	Lock Washer - 3/8" x .136" x .070".....	11
16	SC-62-48	Fin. Bolt 3/8"-16 x 1-1/8" Hex Hd.....	11
17	P-24255	Retainer Planetary Bearing.....	1
18	WL-3-44	Lock Washer - 5/16" x .125" x .078.....	4
19	SC-36-28	Fin. Bolt - 5/16"-18 x 1-1/4" Hex Hd.....	4
20	SC-15-70	Mach. Screw - 1/4"-20 x 1" Oval Hd.....	1
21	M-24782	Support Top Cover Front.....	1
22	P-24256	Retainer Upper Worm Shaft Bearing.....	1
23	SC-38-5	Cap Screw - 1/4"-20 x 1" Fil. Hd.....	4
24	WL-3-37	Lock Washer - 1/4" x .109" x .062".....	4
25	P-24254	Sleeve - Worm Gear Adjusting.....	1
26	SC-47-70	Set Screw - #10-32 x 3/8" Soc. Hdls., Cup Pt.....	2
27	P-24253	Oil Delivery Tube & Plate Assy.....	1
28	SC-7-82	Mach. Screw - #10-24 x 3/4" Rd. Hd.....	2
29	NS-32-1	Stop Nut - #10-24 "Flexloc".....	2
30	D-11800-221	Dowel.....	2
31	SC-62-66	NLA - Obsolete--Cap Screw 1/2-13 x 1 3/4 Hex Hd.....	2
32	SC-62-67	Fin. Bolt 1/2"-13 x 2-1/4" Hex Hd.....	2
33	WL-4-13	Lock Washer - 1/2" x .171" x .125".....	4
34	M-68288	Shim (.0179" Thk.).....	AR
35	SC-36-4	Fin. Bolt - 1/4"-20 x 3/4" Hex Hd.....	2
36	WL-3-37	Lock Washer - 1/4" x .109" x .062".....	2
37	NS-13-1	Full Nut - 1/4"-20 Hex Fin.....	2
38	P-62108-1	Strap Top Anchoring.....	1
*39	P-62108-2	Strap Top Anchoring (Not Shown).....	1
40	SC-15-76	Mach. Screw - 1/4"-20 x 1-3/4" Oval Hd.....	1

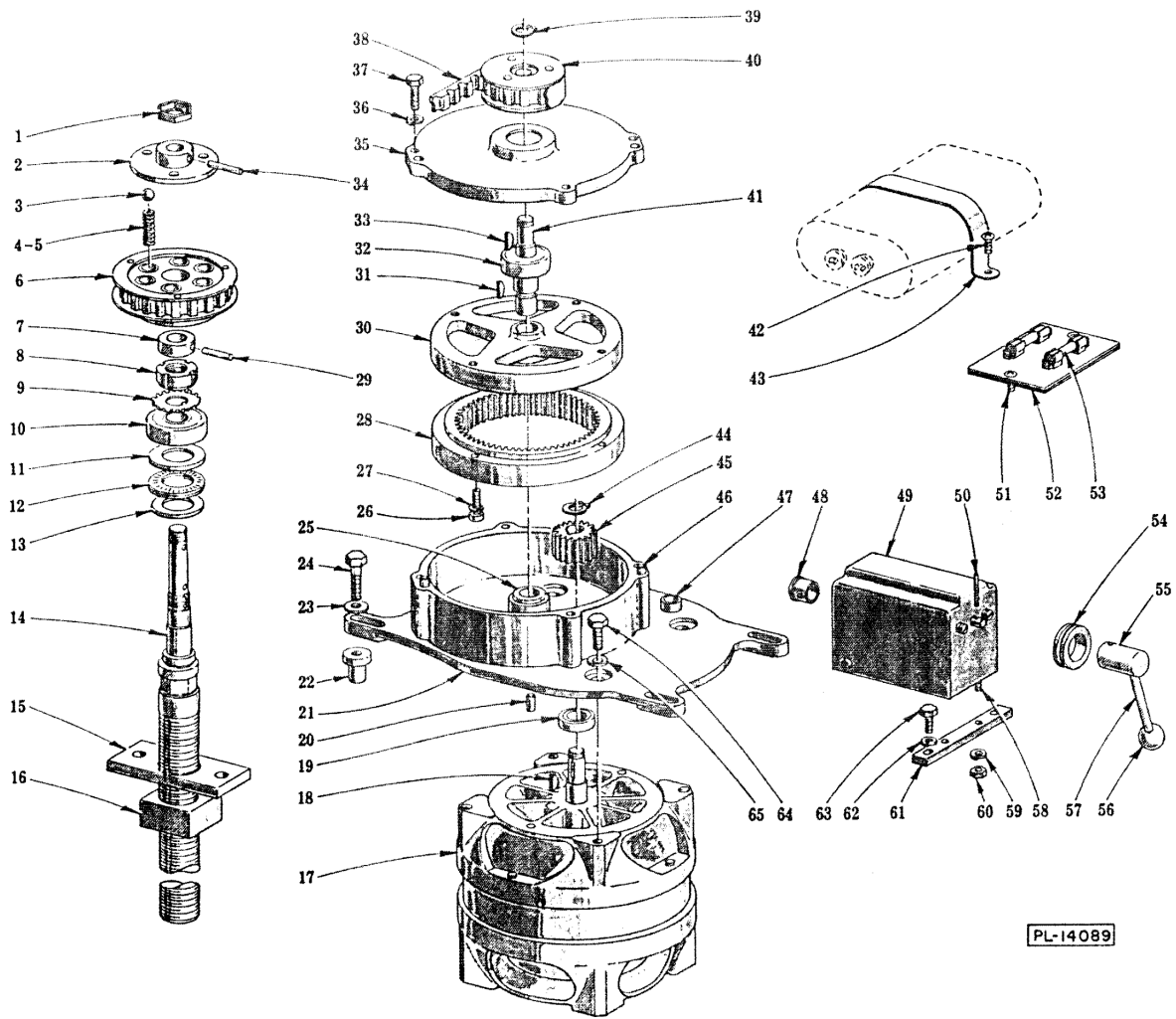
* Power Bowl Lift.



BOWL SUPPORT AND LIFT UNIT F12314

BOWL SUPPORT AND LIFT UNIT F12314

ILLUS. PL-14083	PART NO.	NAME OF PART	AMT.
1	C-104493	Cover - Access Opening.....	1
2	E-120555	Support - Bowl.....	1
3	SC-40-10	Cap Screw - 1/4"-20 x 3/4" Soc. Fil. Hd.....	2
4	WL-3-35	Lock Washer - 1/4" x .047" x .078".....	2
5	M-24296	Retainer - Bowl.....	1
6	P-65922-10	Bowl Clamp Assy. (R.H.).....	1
7	P-65922-11	Bowl Clamp Assy. (L.H.) (Not Shown).....	1
8	B-120349	Stud - Bowl Locating.....	2
9	WL-4-12	Lock Washer - 1/2" x .170" x .099".....	2
10	NS-17-27	Jam Nut 1/2"-13 Hex Fin.....	2
11	NS-37-17	Lock Nut 5/8"-11 Hex "Nylok".....	2
12	M-64636	Spring Washer - Bowl Clamp.....	2
13	A-102939	Caplug.....	1
14	A-102859	Stop - Bumper.....	1
15	NS-17-27	Jam Nut - 1/2"-13 Hex Fin.....	1
16	A-102857	Screw - Bowl Support Stop.....	1
17	WL-4-2	Lock Washer - 3/8" x .136" x .070".....	2
18	SC-36-53	Fin. Bolt - 3/8"-16 x 7/8" Hex Hd.....	2
19	RR-5-2	Retaining Ring (Spirolox).....	1
20	M-24194	Shaft - Miter Gear.....	1
21	M-24614-1	Washer - Miter Gear Spacer (.096" Thk.).....	AR
22	M-24614-2	Washer - Miter Gear Spacer (.091" Thk.).....	AR
23	M-24614-3	Washer - Miter Gear Spacer (.086" Thk.).....	AR
24	M-24614-4	Washer - Miter Gear Spacer (.081" Thk.).....	AR
25	M-24614-5	Washer - Miter Gear Spacer (.076" Thk.).....	AR
26	M-24614-6	Washer - Miter Gear Spacer (.071" Thk.).....	AR
27	KW-3-3	Key #404 Woodruff.....	1
28	M-24609-1	Ring Hand Wheel Brkt. Clamping.....	1
29	WL-3-48	Lock Washer 5/16" x .062" x .093".....	4
30	SC-11-95	Mach. Screw 5/16"-18 x 1" Fil. Hd.....	4
31	R-78181	NLA - Obsolete--Hand Wheel & Handle Sub-Assy. (Incls. item #32).....	1
32	P-24765	Handle - Bowl Lift Hand Wheel.....	1
33	M-24191	Shaft - Hand Wheel.....	1
34	PG-7-19	Groov-Pin - Type #5, 1/4" x 2-3/4".....	1
35	RP-2-6	Rollpin - 1/4" Dia. x 1" Lg.....	2
36	M-89684	Hand Wheel Bracket & Bearing Sub-Assy.....	1
37	OG-003-47	Oiler - Special.....	1
38	M-24196	NLA - Obsolete--Pinion - Bowl Lift Miter (23T).....	1
39	R-12430-47	Key.....	1
40	NS-32-29	Stop Nut - 1/2"-20 "Flexloc".....	1
41	M-24195	Gear - Bowl Lift Miter (23T).....	1
42	RR-5-2	Retaining Ring (Spirolox).....	1
43	M-24192	Gear - Bowl Lift (41T).....	1
44	R-12430-43	Key.....	1
45	NS-34-4	Lock Nut - N.D. #N-03.....	1
46	WL-12-4	Lock Washer - N.D. #W-03.....	1
47	WS-10-17	Washer.....	1
48	M-24193	Gear - Bowl Lift Screw (31T).....	1
49	WS-10-17	Washer.....	2
50	BB-5-30	Ball Bearing - N.D. #Z99503.....	1
51	B-120622	NLA - Obsolete--Screw - Bowl Lift.....	1
52	M-24201	Retainer - Bowl Lift Nut.....	1
53	M-24198	Nut - Bowl Lift Screw.....	1



POWER BOWL LIFT UNIT F12314

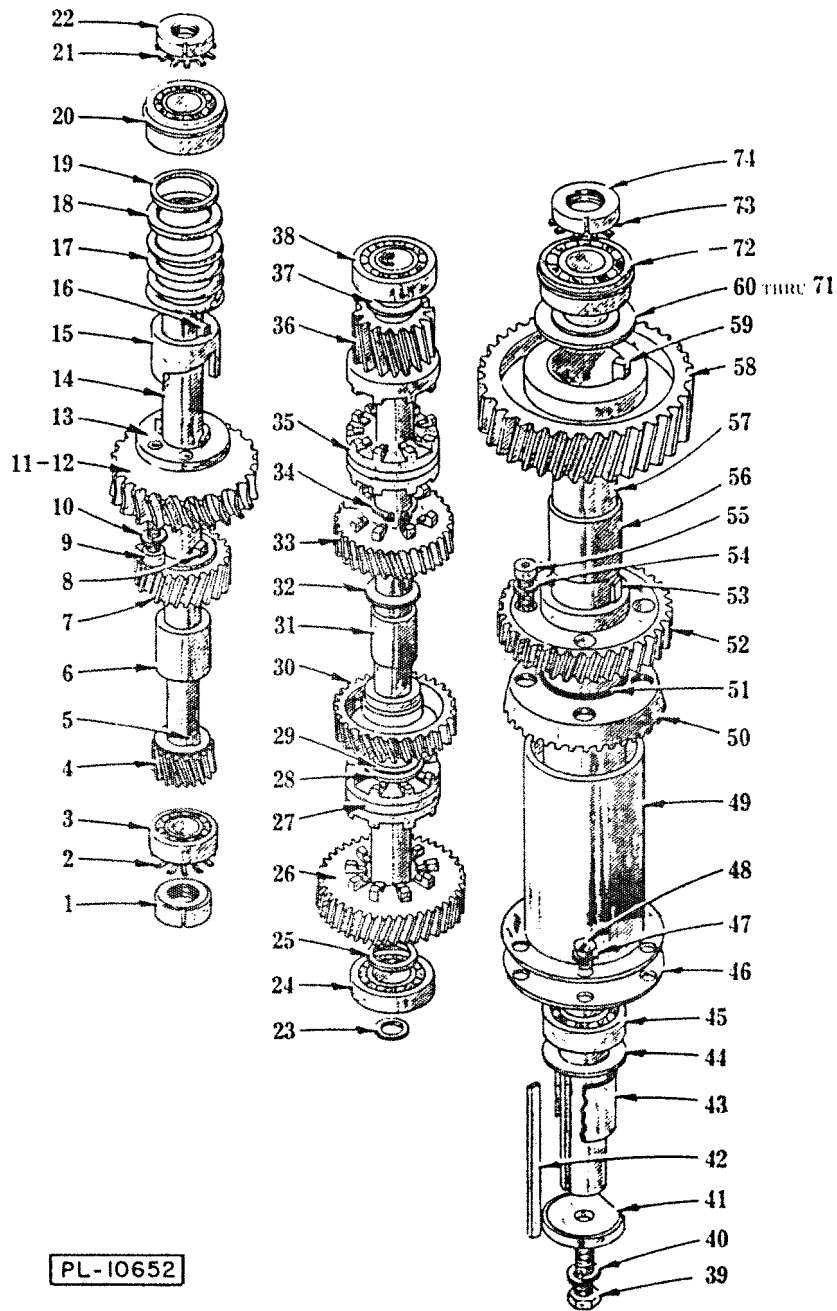
POWER BOWL LIFT UNIT F12314

ILLUS. PL-14089	PART NO.	NAME OF PART	AMT.
1	NS-35-17	Special Nut - 9/16"-18 "Palnut".....	1
2	B-120098	Detent Plate & Hub Assy.....	1
3	BA-2-18	Ball - 3/8" Dia.....	6
4	M-64616	Spring - Detent (12 lb.) (Holes nearest drive screws).....	3
5	V-7009	Spring - Detent (6 lb.).....	3
6	C-120097	Pulley Assy. (20T).....	1
7	M-64405	Collar - Input Shaft.....	1
8	NS-34-4	Lock Nut - N.D. #N-03.....	1
9	WL-12-4	Lock Washer N.D. #W-03.....	1
10	BB-5-30	Ball Bearing N.D. #Z995O3.....	1
11	M-64558	Washer - Thrust.....	1
12	BN-2-18	Needle Bearing - Torrington #NTA-1423.....	1
13	M-64558	Washer Thrust.....	1
14	D-120094	Screw Lift.....	1
15	B-120096	Retainer - Lift Nut.....	1
16	B-120095	Nut - Bowl Lift Screw.....	1
17		Motor (See separate Motor Parts Sheet).....	1
18	KW-3-1	Key - #304 Woodruff.....	1
19	B-120053	Seal - Oil.....	1
20	D-11800-283	Dowel.....	1
21	D-120051	Gear Case Assy. (Incls. items #19, 20, 25, 46 & 47).....	1
22	B-120100	Nut - Vibration Mount.....	4
23	WS-4-39	Washer.....	4
24	SC-36-7	Fin. Bolt - 1/4"-20 x 1-1/8" Hex Hd.....	4
25	M-64641	Bearing - Gear Box.....	1
26	SC-40-4	Cap Screw - #10-32 x 3/4" Soc. Hd.....	4
27	WL-3-22	Lock Washer - #10 x .055" x .040".....	4
28	C-120080	Gear - Internal (64T).....	1
29	RP-2-25	Rollpin - 1/8" Dia. x 7/8" Lg.....	1
30	C-120079	Hub Gear.....	1
31	KW-3-3	Key #404 Woodruff.....	1
32	BB-5-19	Ball Bearing - Fafnir #H202PP.....	1
33	KW-3-1	Key - #304 Woodruff.....	1
34	PS-4-9	Spirol Pin - 3/16" Dia. x 1" Lg.....	1
35	D-120084	Cover - Gear Case.....	1
36	WL-3-36	Lock Washer - 1/4" x .107" x .047".....	4
37	SC-36-4	Fin. Bolt - 1/4"-20 x 3/4" Hex Hd.....	4
38	C-116634	Belt - Timing.....	1
39	RR-8-6	Retaining Ring.....	1
40	B-120086	Drive Pulley Assy. (14T).....	1
41	C-120083	Shaft - Transmission.....	1
42	SD-12-20	Self-Tapping Screw - #8-32 x 1/2" Phil. Truss Hd., Type 23.....	2
43	B-120163	NLA - Obsolete--Bracket - Capacitor.....	1
44	RR-4-17	Retaining Ring.....	1
45	B-120081	Gear - Motor Pinion (16T).....	1
46	D-11800-91	Dowel.....	2
47	V-24670	Insulator - Fiber.....	1
48	FE-16-2	Bushing - Snap.....	1
49	B-121319	Switch & Label Assy.....	1
50	RP-2-33	Rollpin - .094" Dia. x 1" Lg.....	1
51	SD-12-20	Self-Tapping Screw - 1/8-32 x 1/2" Phil. Truss Hd., Type 23.....	2
52	C-120924	Terminal Board Assy.....	1
53	FE-21-1	Fuse (3.5 Amp.).....	2
54	B-120105	Grommet.....	1
55	B-120108	Hub Switch.....	1

POWER BOWL LIFT UNIT F12314

ILLUS.	PART NO.	NAME OF PART	AMT.
PL-14089			
56	M-77401	Knob Switch Control.....	1
57	B-120107	Handle - Switch.....	1
58	SC-40-6	Cap Screw - 1/4"-20 x 1/2" Soc. Hd.....	2
59	WL-3-35	Lock Washer - 1/4" x .047" x .078".....	2
60	NS-13-1	Full Nut - 1/4"-20 Hex Fin.....	2
61	B-120109	Plate - Switch Mounting.....	1
62	WL-3-36	Lock Washer - 1/4" x .107" x .047".....	2
63	SC-036-02	Fin. Bolt 1/4"-20 x 1/2" Hex Hd.....	2
64	SC-36-25	Fin. Bolt 5/16"-18 x 3/4" Flex Hd.....	4
65	WL-3-43	Lock Washer - 5/16" x .117" x .056".....	4

NOTES



TRANSMISSION UNIT F12314

TRANSMISSION UNIT F12314

ILLUS. PL-10652	PART NO.	NAME OF PART	AMT.
1	NS-34-5	Lock Nut - N.D. #N-04.....	1
2	WL-12-5	Lock Washer - N.D. #W-04.....	1
3	BB-12-7	Ball Bearing SKF #1204 Self-Alignment.....	1
4	C-24205	NLA - Obsolete--Gear Lower, Worm Shaft (17T).....	1
5	R-12430-53	Key - 3/16" x 3/16" x 15/16".....	1
6	M-24206	Spacer - Worm Gear Shaft.....	1
7	M-24207	Gear Upper, Worm Shaft (25T).....	1
8	R-12430-51	Key - 3/16" x 3/16" x 25/32".....	1
9	SC-40-8	Cap Screw - 1/4"-20 x 1" Soc. Fil. Hd.....	4
10	WL-3-35	Lock Washer - 1/4" x .047" x .078".....	4
11	P-24735	Worm Gear (31T., 60 Hz.).....	1
12	P-24288	Worm Gear (26T., 50 Hz.).....	1
13	P-61497	Flange Shock Absorber Drive.....	1
14	R-24204	Shaft Worm Gear.....	1
15	P-61498	Compressor - Shock Absorber.....	1
16	V-24546	Key - Compressor to Shaft.....	1
17	M-9733	Spring Worm Shaft.....	1
18	M-24238	Washer Shock Absorber.....	1
19	RR-5-10	Retaining Ring (Spirolox).....	1
20	BB-9-37	Ball Bearing N.D. #45504V.....	1
21	WL-12-5	Lock Washer N.D. #W.04.....	1
22	NS-34-5	Lock Nut - N.D. #N-04.....	1
23	RR-5-4	Retaining Ring (Spirolox).....	1
24	BB-18-33	Ball Bearing - Fafnir #205K.....	1
25	M-24210	Spacer - Clutch Shaft.....	1
26	P-24539	Lower Clutch and Lower Gear Assy. (49T).....	1
27	P-24213	Clutch - Shifting.....	1
28	RR-4-13	Retaining Ring (Truarc).....	1
29	M-60767	Washer - Clutch Shaft.....	1
30	P-24538	Lower Clutch and Upper Gear Assy. (41T).....	1
31	R-24209	Shaft - Clutch.....	1
32	M-24216	Washer - Clutch Shaft.....	1
33	P-24537	Upper Clutch and Lower Gear Assy. (33T).....	1
34	RR-4-13	Retaining Ring (Truarc).....	1
35	P-24213	Clutch - Shifting.....	1
36	P-24545	Upper Clutch and Upper Gear Assy. (17T).....	1
37	M-24210	Spacer - Clutch Shaft.....	1
38	BB-18-33	Ball Bearing - Fafnir #205K.....	1
39	SC-62-58	Fin. Bolt - 3/8"-24 x 1-1/4" Hex Hd.....	1
40	WL-6-27	Lock Washer - 3/8" x .136" x .070".....	1
41	M-24266-1	Washer - Planetary.....	1
42	R-12430-195	Key - 1/4" x 1/4" x 4".....	1
43	M-60486	Shield - Planetary Oil.....	1
44	M-24543	Washer - Planetary Spacer.....	1
45	BB-15-26	Ball Bearing - Fafnir #P9109PP.....	1
46		Gasket - Chimney (No Longer Available).....	1
47	WL-9-8	Lock Washer - 1/4" Csk. Ext. Shakeproof.....	5
48	SC-13-79	Mach. Screw - 1/4"-20 x 1/2" Flat Hd.....	5
49	M-61507	Chimney and Flange Assy.....	1
50	P-61727	NLA - Obsolete--Gear - Spiral Bevel (41T).....	1
51	D-67500-19	"O" Ring - Bevel Gear.....	1
52	P-24223	Gear Planetary Shaft Lower (35T).....	1
53	R-12430-211	Key - 5/16" x 5/16" x 1-1/16".....	1
54	WL-3-48	Lock Washer - 5/16" x .062" x .093".....	4
55	SC-40-15	Cap Screw - 5/16"-18 x 1-1/4" Soc. Fil Hd.....	4

TRANSMISSION UNIT F12314

ILLUS. PL-10652	PART NO.	NAME OF PART	AMT.
56	M-24224	Spacer Planetary Shaft.....	1
57	S-24222	Shaft Planetary.....	1
58	P-24225	Gear Upper Planetary Shaft (53T).....	1
59	R-12430-210	Key 5/16" x 5/16" x 1-3/8".....	1
60	M-24226-1	Shim - Planetary Shaft (.141" Thk.).....	AR
61	M-24226-2	NLA - Obsolete--Shim - Planetary Shaft (.144" Thk.).....	AR
62	M-24226-3	Shim - Planetary Shaft (.147" Thk.).....	AR
63	M-24226-4	NLA - Obsolete--Shim - Planetary Shaft (.150" Thk.).....	AR
64	M-24226-5	Shim - Planetary Shaft (.153" Thk.).....	AR
65	M-24226-6	Shim - Planetary Shaft (.156" Thk.).....	AR
66	M-24226-7	Shim - Planetary Shaft (.159" Thk.).....	AR
67	M-24226-8	NLA - Obsolete--Shim - Planetary Shaft (.162" Thk.).....	AR
68	M-24226-9	Shim - Planetary Shaft (.165" Thk.).....	AR
69	M-24226-10	NLA - Obsolete--Shim - Planetary Shaft (.168" Thk.).....	AR
70	M-24226-11	NLA - Obsolete--Shim - Planetary Shaft (.171" Thk.).....	AR
71	M-24226-12	NLA - Obsolete--Shim - Planetary Shaft (.174" Thk.).....	AR
72	BB-9-48	Ball Bearing - MRC #5206KFFG.....	1
73	WL-12-7	Lock Washer - N.D. #W-06.....	1
74	NS-34-7	Nut - N-06.....	1

NOTES

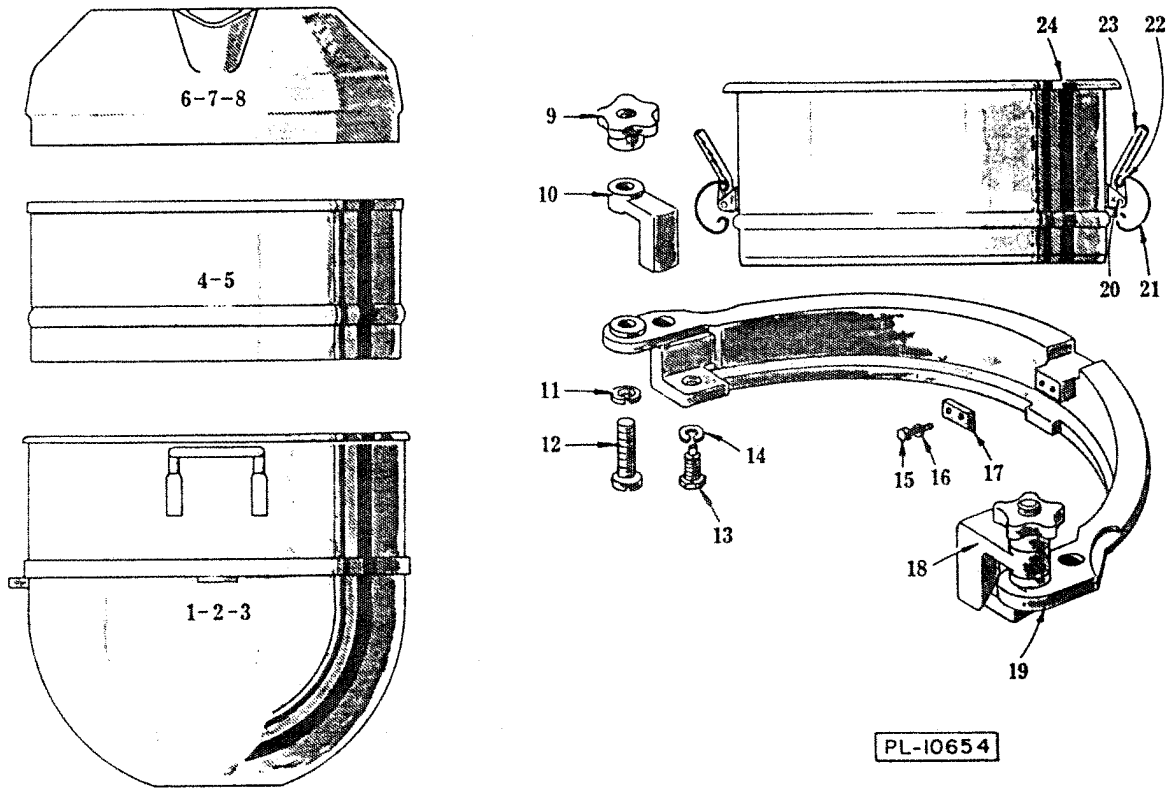
PLANETARY AND ATTACHMENT HUB UNIT F12314

ILLUS. PL-12730	PART NO.	NAME OF PART	AMT.
1	BB-6-36	Ball Bearing - #MRC-306SZZ.....	1
2	WS-21-21	Washer (Sealing).....	1
3	SC-62-60	Fin. Bolt - 1/2"-20 x 1" Flex Hd.....	1
4	T-24265-1	Planetary.....	1
5	BB-7-39	Ball Bearing - #MRC-207SZZ.....	1
6	M-24651	Seal - Planetary.....	1
7	M-64137	Agitator Shaft Sub-Assy. Unit (Incls. items #8, 9, 10 & 11).....	1
8	V-7744	Set Screw - Hdls., Cone Pt.....	1
9	SC-46-64	Set Screw - 3/8"-16 x 3/8" Hdls., Cup Pt.....	1
10	M-64723	Plug Screw - Agitator Shaft.....	1
11	V-111156	Pin - Agitator Shaft.....	1
12	SC-62-80	Fin. Bolt - 3/8"-16 x 5/8" Flex Hd.....	2
13	R-60458	Cup - Drip.....	1
14	SC-10-32	Mach Screw - #8-32 x 3/8" Truss Hd.....	2
15	SC-40-23	Cap Screw - 3/8"-16 x 1-1/4" Soc. Fil. Hd.....	4
16	WL-4-1	Lock Washer - 3/8" x .078" x .125".....	4
17	R-61580	Gear - Internal (59T).....	1
18	WS-3-23	Washer.....	2
19	SC-8-65	Mach. Screw - 1/4"-20 x 3/8" Rd. Hd.....	2
20	M-60443	Plate - Oil Pump Bottom.....	1
21	M-60445-2	NLA - Obsolete--Gear - Oil Pump (15T).....	1
22	RP-2-9	Rollpin - 5/64" Dia. x 3/8" Lg.....	1
23	SC-9-50	Mach. Screw - #10-32 x 3/4" Rd. Hd.....	1
24	WL-3-22	Lock Washer - #10 x .055" x .040".....	1
25	M-60466	Top Plate Assy.....	1
26	M-60444	Shaft - Oil Pump.....	1
27	SC-9-51	Mach. Screw - #10-32 x 7/8" Rd. Hd.....	2
28	WL-3-22	Lock Washer - #10 x .055" x .040".....	2
29	RP-2-8	Rollpin - 5/64" Dia. x 11/16" Lg.....	1
30	M-60467	Conveying Gear Assy. (18T).....	1
31	SC-9-39	Mach. Screw - 8-32 x 3/4" Rd. Hd.....	1
32	WL-3-15	Lock Washer - #8 x .047" x .031".....	1
33	M-67736	Gear - Oil Pump (15T).....	1
34	M-60440	NLA - Obsolete--Body - Oil Pump.....	1
35	M-60071	Cap - Oil Retaining.....	1
36	RR-5-8	Retaining Ring (Spirolox).....	1
37	R-12430-154	Key.....	1
38	P-63263	Pinion - Internal (18T).....	1
39	M-73010	NLA - Obsolete--Oil Baffle - Planetary.....	1
40	FP-28-38	Plug - 3/8" Flex Soc. Pipe.....	1
41	D-67500-21	"O" Ring - Planetary.....	1
42	M-60768	Shim - Internal Pinion.....	AR
43	P-61914	NLA - Obsolete--Bevel Pinion (16T).....	1
44	M-61920-1	Shim Bevel Pinion (.076" Thk.).....	AR
45	M-61920-2	Shim Bevel Pinion (.079" Thk.).....	AR
46	M-61920-3	Shim Bevel Pinion (.082" Thk.).....	AR
47	M-61920-4	Shim Bevel Pinion (.085" Thk.).....	AR
48	M-61920-5	Shim Bevel Pinion (.088" Thk.).....	AR
49	M-61920-6	Shim Bevel Pinion (.091" Thk.).....	AR
50	M-61920-7	Shim Bevel Pinion (.094" Thk.).....	AR
51	M-61920-8	Shim Bevel Pinion (.097" Thk.).....	AR
52	M-61920-9	Shim Bevel Pinion (.100" Thk.).....	AR
53	M-61920-10	Shim Bevel Pinion (.103" Thk.).....	AR
54	M-61920-11	Shim Bevel Pinion (.107" Thk.).....	AR
55	BB-13-3	Ball Bearing - Nice #618.....	1

PLANETARY AND ATTACHMENT HUB UNIT F12314

ILLUS.	PART NO.	NAME OF PART	AMT.
PL-12730			
56	SC-40-50	Cap Screw - 5/16"-18 x 2-1/4" Soc. Fil. Hd.....	4
57	WL-3-44	Lock Washer - 5/16" x .125" x .078".....	4
58	BN-2-6	Bearing - Needle (Torrington B-2212).....	2
59	R-12430-42	Key.....	1
60	P-61506	Sleeve - Square Drive.....	1
61	R-61894-1	Hub - Attachment.....	1
62	WL-3-44	Lock Washer - 5/16" x .125" x .078".....	1
63	M-61279	Screw - Special.....	1
64	C-108197-1	Thumb Screw - 1/2"-12.....	1
65	C-114824-4	Plug - Attachment Hole.....	1
	P-61919- 1	Attachment Hub Assy. (Incls. items #43 thru 63).....	1
	P-60465	Planetary Oil Pump Assy. (Incls. items #20, 21, 22, 23, 24, 25, 26, 29, 30, 31,32,33 & 34).....	1

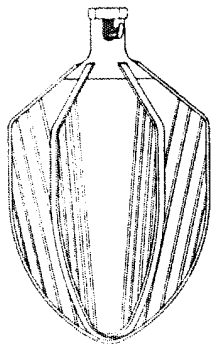
NOTES



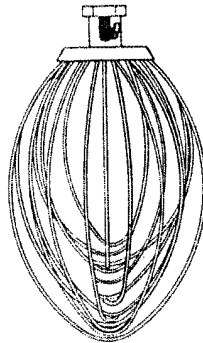
BOWLS AND EQUIPMENT F12314

BOWLS AND EQUIPMENT F12314

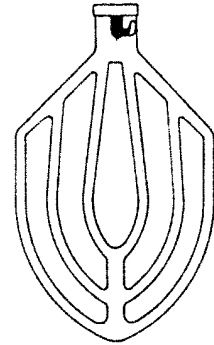
ILLUS. PL-10654	PART NO.	NAME OF PART	AMT.
1	S-66461	Bowl- 60 Qt.....	1
2	D-104432	Bowl- 40 Qt.....	1
3	D-104415	Bowl- 30 Qt.....	1
4	P-7985-1	Extension 40 Qt. Bowl.....	1
5	D-6474-1	Extension 30 Qt. Bowl.....	1
6	E-104681	Cover - Splash (60 Qt.) (Plastic).....	1
7	S-82443-3	Splash Cover Assy. - 40 Qt.....	1
8	S-82443-1	Splash Cover Assy. - 30 Qt.....	1
9	M-8101-1	Knob - Clamp Stud.....	2
10	M-24845-1	Clamp - Adapter (60-40 Qt. & 60-30 Qt., L.H.).....	1
11	WL-4-12	Lock Washer - 1/2" x .170" x .099".....	2
12	M-22196	Bolt Bowl Lock.....	2
13	M-24846	Stud Bowl Locating.....	2
14	WL-4-18	Lock Washer - 5/8" x .201" x .126".....	2
15	SC-62-38	Fin. Bolt - 1/4"-20 x 5/8" Hex Hd.....	2
16	WL-3-36	Lock Washer - 1/4" x .107" x .047".....	2
17	M-24301	Retainer - Bowl.....	1
18	M-60222-1	Clamp - Adapter (60-40 Qt. & 60-30 Qt., R.H.).....	1
19	S-65790-1	Adapter Bowl (60-40 Qt. & 60-30 Qt.).....	1
20	RP-2-35	Rollpin 3/16" Dia. x 5/8" Lg.....	2
21	P-62234-2	NLA - Obsolete--Spring - Clamp (60 Qt.) (Flange Top Bowl).....	2
22	RP-2-7	Rollpin 3/16" Dia. x 1-1/8" Lg.....	2
23	M-11981	Handle Clamp (60 Qt.).....	2
24	S-8569-6	Extension - 60 Qt. (Flange Top Bowl) (Incls. items #20, 21, 22 & 23).....	1
	M-62087-1	Bowl Adapter Sub-AssyUnit (60-40 Qt. & 60-30 Qt.) (Incls. items #9 thru 19).....	1



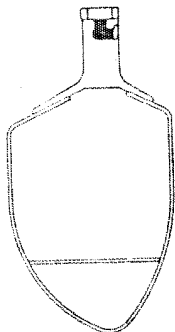
1 7



2 8 14



3 9 15

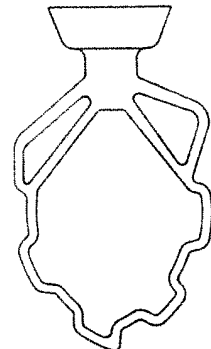


4 10 16



5 11 17

PL-13679



6 12 18

AGITATORS F12314

AGITATORS F12314

ILLUS. PL-13679	PART NO.	NAME OF PART	AMT.
	60 Qt.	AR
1	S-24919	"C" Six Wing Whip (60 QT.).....	1
2	S-24900-2	"D" Wire Whip (60 QT.).....	1
3	S-24308-1	"B" Flat Beater (60 QT.).....	1
4	S-68096	"P" Pastry Knife (60 QT.).....	1
5	D-105833	"E" Dough Arm (60 QT.).....	1
6	S-60069	"S" Sweet Dough Arm (60 QT.).....	1
	R-60090	"I" Wire Whip (Not Shown) (60 QT.).....	1
	E-113732	"ED" Dough Arm - Spiral (Not Shown) (60 QT.).....	1
	40 QT.	AR
7	S-22474	"C" Six Wing Whip (40 QT.).....	1
8	S-23591-2	"D" Wire Whip (40 QT.).....	1
9	T-23620-1	"B" Flat Beater (40 QT.).....	1
10	S-68095	"P" Pastry Knife (40 QT.).....	1
11	S-80693	"E" Dough Arm (1 H.P. Mixer ONLY) (40 QT.).....	1
12	R-8400	"S" Sweet Dough Arm (40 QT.).....	1
	S-60132-2	"I" Wire Whip (Not Shown) (40 QT.).....	1
	30 Qt.	AR
13	R-104028	"C" Four Wing Whip (Not Shown) (30 QT.).....	1
14	R-10327-1	"D" Wire Whip (30 QT.).....	1
15	S-60052-1	"B" Flat Beater (30 QT.).....	1
16	R-68822	"P" Pastry Knife (30 QT.).....	1
17	S-72858	"E" Dough Arm (1 H.P. Mixer ONLY) (30 QT.).....	1
18	R-10326	"S" Sweet Dough Arm (30 QT.).....	1
	R-72871	"I" Wire Whip (Not Shown) (30 QT.).....	1

