

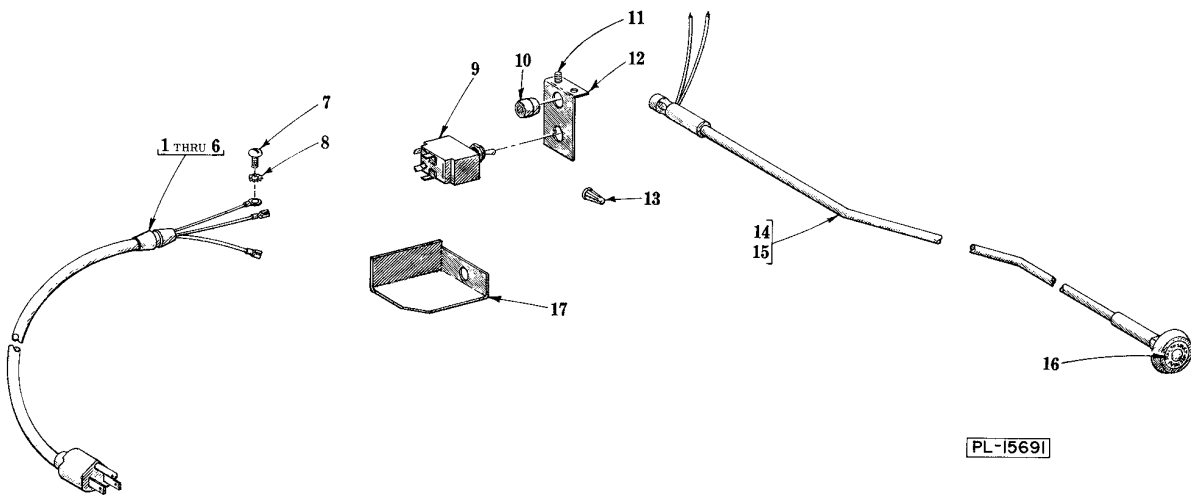


CATALOG OF REPLACEMENT PARTS

**1612 & 1712 Slicers ML- 103250,
ML-103251, ML-103292**

Table of Contents

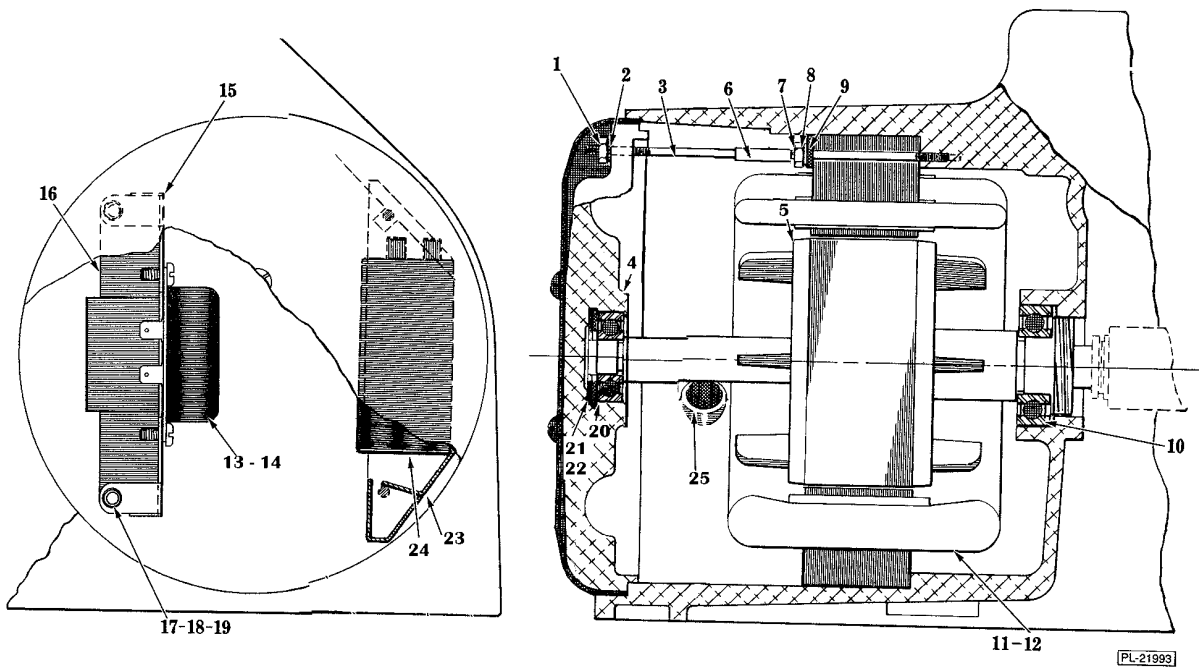
5	ELECTRICAL UNIT
7	MOTOR PARTS
9	ACTUATING MECHANISM 1712E & 1712RE
11	SLIDE ROD UNIT
13	1612E BASE UNIT
15	1712E/1712RE BASE UNIT
17	KNIFE UNIT
19	KNIFE SHARPENER UNIT
21	1612E CARRIAGE TRAY UNIT
23	1712E CARRIAGE TRAY UNIT
25	1712RE CARRIAGE TRAY UNIT
27	1712E/1712RE GEAR CASE UNIT
31	GAUGE PLATE & INDEXING MECH



ELECTRICAL UNIT

ELECTRICAL UNIT

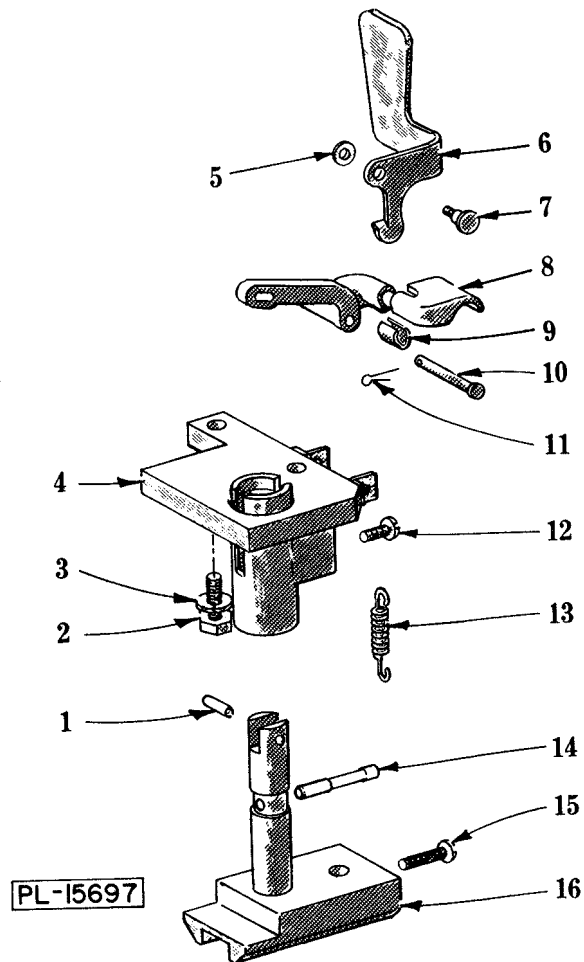
ILLUS.	PART NO.	NAME OF PART	AMT.
	PL-15691B		
1	123856-1	Cord & Plug Assy. (Under 115 V.).....	1
2	123856-2	Cord & Plug Assy. (200-250 V.).....	1
3	123858	Cord Assy. (I.E.C.).....	1
4	RR-8-13	Retaining Ring (Use with items 1 & 2).....	1
5	WS-5-36	Washer (Fiber) (Use with item 3).....	2
6	FE-6-32	Strain Relief (Use with item 3).....	2
7	SD-024-13	Self-Tapping Screw 8-32 x 3/8 Pan Hd., Type TT.....	1
8	WL-10-1	Lock Washer 8 Ext. Shakeproof.....	1
9	87711-148-1	Switch (With Nuts).....	1
10	FE-21-9	Strain Relief.....	1
11	SD-024-13	Self-Tapping Screw 8-32 x 3/8 Pan Hd. Type TT.....	2
12	122341	Bracket - Switch.....	1
13	FE-6-29	Nut - Wire (14-22 Ga.).....	2
14	122342-5	Lighted Knob Assy. (115 V.).....	1
15	122342-6	Lighted Knob Assy. (200/240 V.).....	1
16	76902	Disc - Insert.....	1
17	123647	Insulator - Switch.....	1



MOTOR PARTS

MOTOR PARTS

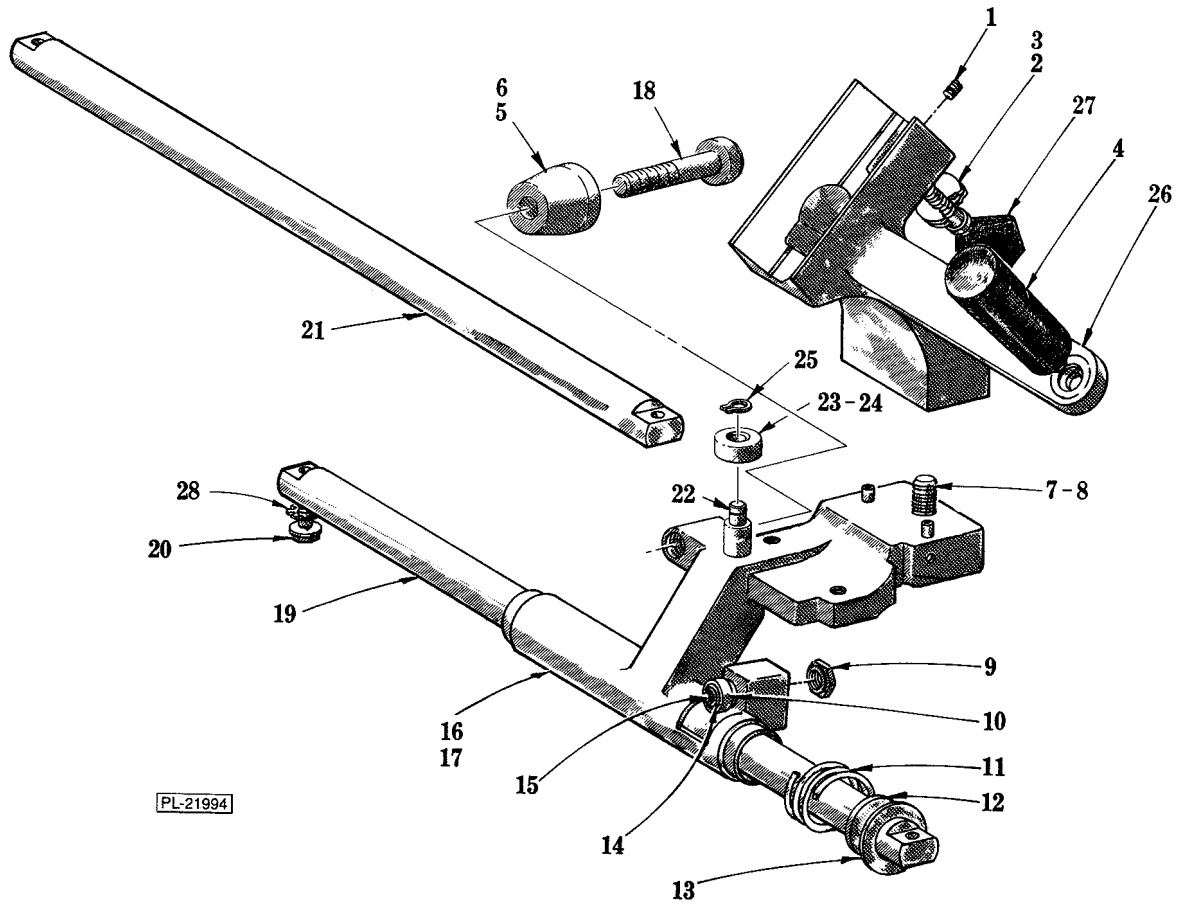
ILLUS. PL-21993	PART NO.	NAME OF PART	AMT.
1	NS-9-12	Mach. Nut 8-32 Hex.....	4
2	WL-7-6	Lockwasher 8 External Shakeproof.....	4
3	120048	Stud - Stator.....	4
4	110293	Bracket - Bearing.....	1
5	274761	Rotor Assy.....	1
6	103661-17	Tubing - Insulator 3/4 Lg.....	2
7	NS-9-12	Mach. Nut 8-32 Hex.....	4
8	WS-2-15	Washer.....	4
9	293454	Retainer - Stator.....	4
10	BB-15-41	Ball Bearing - N.D. #Z993LO4.....	1
11	274301	Stator Assy.(All Voltages) (ML-103250).....	1
12	271639	Stator Assy.(All Voltages) (ML-103251 & ML-103292).....	1
13	271612-1	Switch - Electronic Start (50/60 Hz.).....	1
14	SD-024-13	Self-Tapping Screw 8-32 x 3/8 Pan Hd., Type TT.....	2
15	271613	Plate - Motor Switch.....	1
16	271614	Insulator - Motor Switch.....	1
17	103661-15	Tubing - Insulator 1 1/2 Lg.....	1
18	WS-2-15	Washer.....	2
19	NS-9-12	Mach. Nut 8-32 Hex.....	2
20	BB-018-12	Ball Bearing - Fafnir #P201 KDD.....	1
21	21046-2	Washer - Bumper (1/32 Thk.).....	2
22	SL-2-2	Spring - Loading - N.D. #S-12.....	1
23	278280	Retainer - Capacitor.....	1
24	70487-21	Capacitor (50/60 Hz.).....	1
25	70418	Bushing - Motor Leads.....	1



ACTUATING MECHANISM 1712E & 1712RE

ACTUATING MECHANISM 1712E & 1712RE

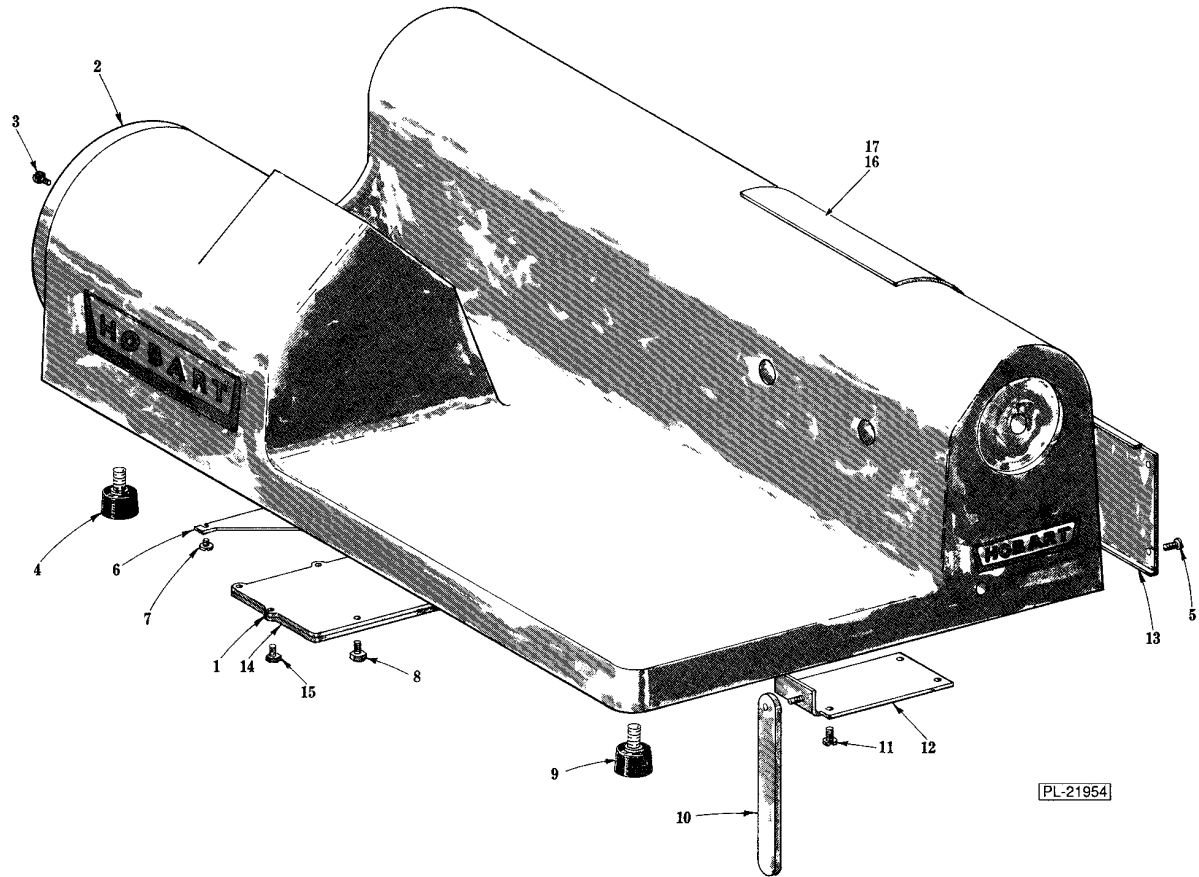
ILLUS.	PART NO.	NAME OF PART	AMT.
PL-15697Z			
1	11800-137	Dowel.....	1
2	SC-62-81	Cap Screw 5/16-18 x 7/8 Hex Hd.....	2
3	WL-3-44	Lockwasher 5/16 Medium.....	2
4	83424	Base and Brg. Assy.....	1
5	WS-2-43	Washer.....	1
6	70240	Clip - Locking.....	1
7	70351	Screw - Special.....	1
8	70233-2	Lever - Actuating Mech.....	1
9	70245	Clip - Lever Wear.....	1
10	70297	Pin - Hinge.....	1
11	PC-3-23	Cotter Pin 1/16 X 1/2.....	1
12	SC-60-21	Mach. Screw 10-24 x 1/4 Rd. Hd.....	1
13	70399	Spring - Actuating Mech.....	1
14	118161	Dowel - Yoke & Shaft Locating.....	1
15	SC-60-20	Mach. Screw 10-24 x 1 Rd. Hd.....	1
16	70266	Yoke & Shaft Assy.....	1



SLIDE ROD UNIT

SLIDE ROD UNIT

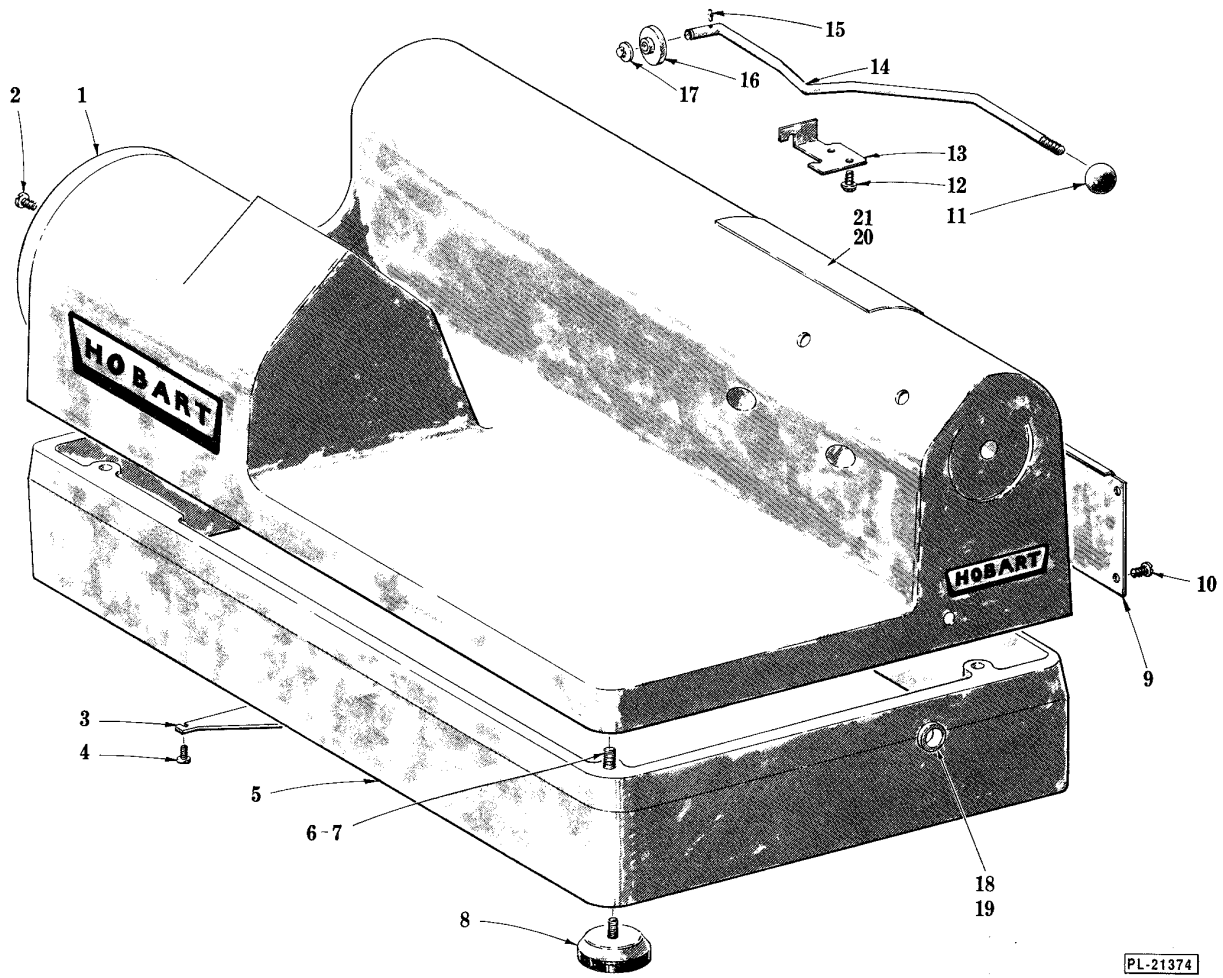
ILLUS.	PART NO.	NAME OF PART	AMT.
PL-21994			
1	SC-118-52	Set Screw 1/4-20 x 1/2 Hdl. Cup Pt.....	1
2	107364-2	Washer - Belleville.....	2
3	RR-11-60	Retaining Ring.....	1
4	70194	Handle - Gauge Plate.....	1
5	10928-2	Nut - Special.....	1
6	274899	Roller - Horizontal.....	1
7	SC-37-21	Cap Screw 1/2-13 x 1 1/2 Hex Hd.....	1
8	WL-6-35	Lockwasher 1/2 Light.....	1
9	10928-2	Nut - Special.....	1
10	BB-4-11	Ball Bearing - Hoover #626ZZ.....	1
11	274903	Spring - Carriage Bearing.....	2
12	435707	Washer - Bumper (Rubber).....	2
13	435708	Washer - Backup (SST).....	2
14	RR-9-15	Retaining Ring.....	1
15	109870	Stud - Eccentric.....	1
16	274925	Carriage Bearing Assy.....	1
17	274895	Wick - Carriage Bearing.....	1
18	274898	Stud - Horizontal Roller.....	1
19	123686-1	Slide Rod - Lower.....	1
20	SD-24-48	Self-Tapping Screw 5/16-18 x 1 3/8 Hex Washer Hd. "Taptite".....	4
21	123686-2	Slide Rod - Upper.....	1
22	274896	Stud - Vertical Roller.....	1
23	274897	Roller - Vertical.....	1
24	BB-4-11	Ball Bearing - Hoover #626ZZ.....	1
25	RR-9-15	Retaining Ring.....	1
26	88749-2	Carriage Support & Plug Assy.(Incls.items 1 & 4).....	1
27	108197-5	Thumb Screw.....	1
28	WL-7-20	Lockwasher 5/16 "Shakerproof".....	4
	86262	Eccentric Stud, Brg. & Nut Assy. (Incls. items 9,10,14 & 15).....	1



1612E BASE UNIT

1612E BASE UNIT

ILLUS.	PART NO.	NAME OF PART	AMT.
PL-21954			
1	117710	Gasket - Gear Case Cover.....	1
2	70238	Cover - Bearing Bracket.....	1
3	SD-24-19	Self -Tapping Screw 8-32 x 3/8 Truss Hd., Type TT.....	2
4	18682-1	Foot.....	3
5	SC-10-32	Mach. Screw 8-32 x 3/8 Truss Hd.....	4
6	123452	Cover - Junction Box.....	1
7	SD-024-13	Self-Tapping Screw 8-32 x 3/8 Pan Hd., Type TT.....	3
8	SD-24-5	Self-Tapping Screw 5/16-18 x 5/8 Hex Hd., Type TT.....	2
9	18682-1	Foot.....	1
10	103972	Leg - Cleaning.....	1
11	SD-024-13	Self-Tapping Screw 8-32 x 3/8 Pan Hd., Type TT.....	4
12	114124	Switch Box Cover & Leg Assy. (Incls. item 10).....	1
13	274902	Panel - Side.....	1
14	116670	Cover - Gear Case.....	1
15	SD-24-4	Self-Tapping Screw 10-24 x 5/8 Hex Hd., Type TT.....	5
16	437479	Access Cover - Slide Rods.....	1
17	SD-37-77	Self-Tapping Screw 6-32 x 3/8 Truss Hd., Type T.....	4

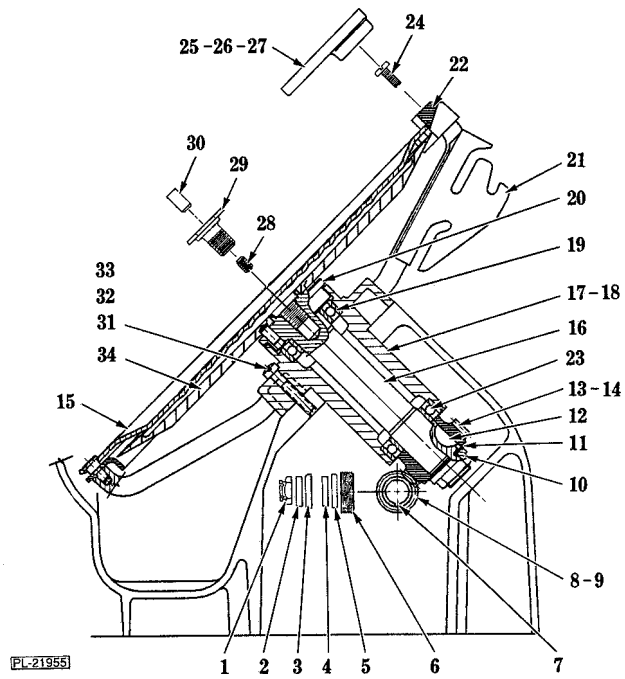


PL-21374

1712E/1712RE BASE UNIT

1712E/1712RE BASE UNIT

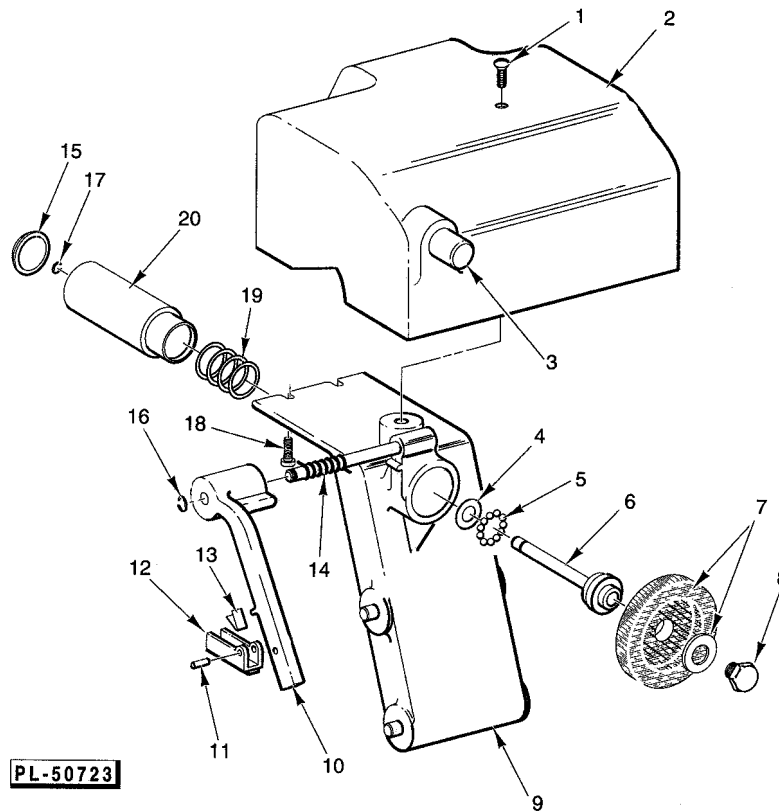
ILLUS.	PART NO.	NAME OF PART	AMT.
PL-21374			
1	70238	Cover - Bearing Bracket.....	1
2	SD-24-19	Self-Tapping Screw 8-32 x 3/8 Truss Hd., Type TT.....	2
3	123452	Cover - Junction Box.....	1
4	SD-024-13	Self-Tapping Screw 8-32 x 3/8 Pan Hd., Type TT.....	3
5	290038-1	NLA - Obsolete--Sub-Base & Bushing Assy. (Incls. items 6, 26 & 27).....	1
6	SC-62-81	Cap Screw 5/16-18 x 7/8 Hex Hd.....	4
7	WL-3-44	Lockwasher 5/16 Medium.....	4
8	83681	Foot.....	4
9	274902	Panel - Side.....	1
10	SC-10-32	Mach. Screw 8-32 x 3/8 Truss Hd.....	4
11	106503	Knob - Lifting Lever.....	1
12	SD-9-16	Self-Tapping Screw 1/4-20 x 3/4 Hex Hd., Type F.....	2
13	121920	NLA - Obsolete--Retainer - Lifting Lever.....	1
14	106504	Lever - Lifting.....	1
15	RR-9-10	Retaining Ring.....	1
16	108001	Foot - Lifting Lever.....	1
17	106502	Push Nut.....	1
18	290063	Bushing - Shifter Sleeve.....	1
19	RR-10-13	Retaining Ring.....	1
20	437479	Access Cover - Slide Rods.....	1
21	SD-37-77	Self-Tapping Screw 6-32 x 3/8 Truss Hd., Type T.....	4
	106505	NLA - Obsolete--Lever & Foot Assy. (Incls. items 19, 22, 23, 24 & 25).....	1



KNIFE UNIT

KNIFE UNIT

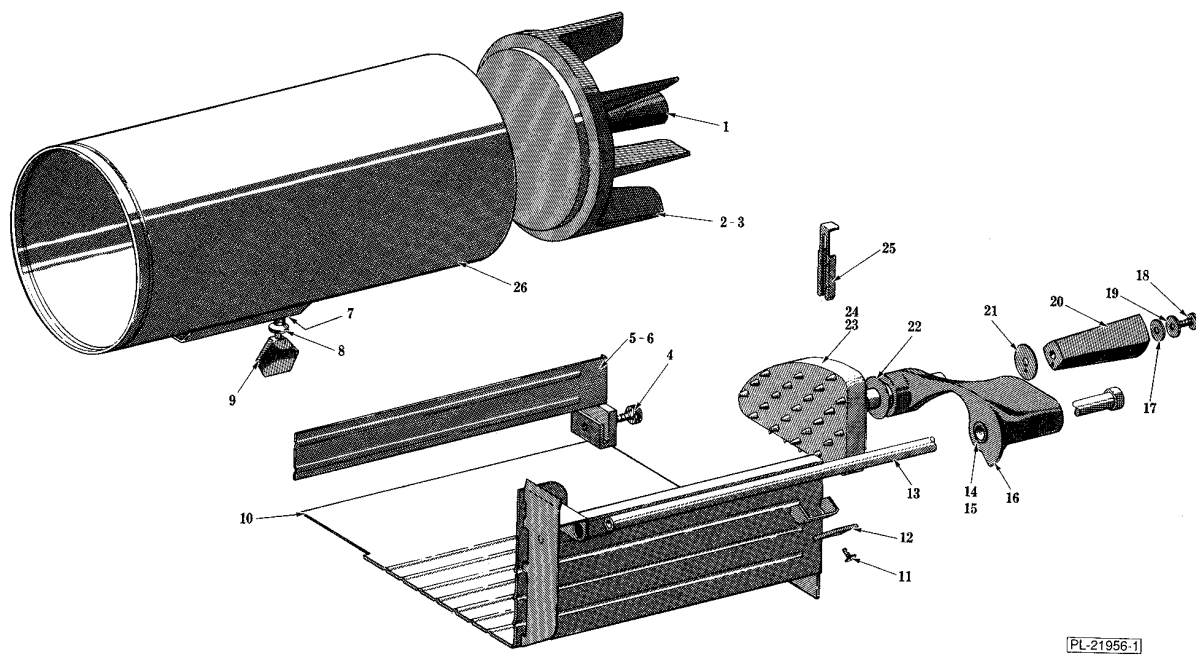
ILLUS. PL-21955	PART NO.	NAME OF PART	AMT.
1	NS-32-23	Lock Nut 7/16-20 "Flexloc".....	1
2	437113	Washer - Special.....	1
3	WS-007-50	Washer.....	1
4	274760-1	Washer - Shock (41/64 I.D.).....	1
5	274759	Retainer - Washer.....	1
6	70239	Conveyor - Oil.....	1
7	12430-3	Key 1/8 Sq. x 1 1/8 Lg.....	1
8	291647	Worm (5T) (1712E & 1712RE) (Use with item 18).....	1
9	294193	Worm (4T) (1612E Only) (Use with item 17).....	1
10	NS-46-29	Lock Nut 3/4-16 Flexlox.....	1
11	WS-011-46	Washer.....	1
12	KW-3-10	Key - Woodruff 3/16 x 3/4 Lg.....	1
13	274908-2	Gear - Knife Shaft Worm (24T) (1712E & 1712RE).....	1
14	274908-1	Gear - Knife Shaft Worm (25T) (1612E Only).....	1
15	ML-103816-Z	Top Knife Cover Assy.(Packaged) (Incls.items 22 & 24 thru 27).....	1
16	435785	Knife Shaft & Dowel.....	1
17	274922-1	NLA - Obsolete--Knife Shaft & Hub Assy.(1612E Only) (Incls.items 10 thru 12,14,19,21 & 23).....	1
18	274922-2	NLA - Obsolete--Knife Shaft & Hub Assy.(1 712E & 1712RE) (Incls.items 10 thru 13,16,19,21 & 23).....	1
19	BB-021-66	Bearing - Ball.....	1
20	111154	Ring - Knife Shaft.....	1
21	274913	NLA - Obsolete--Guard Ring & Hub Assy.(Incls.item 15).....	1
22	274923	Stud - Lock Knob.....	1
23	BB-021-66	Bearing - Ball.....	1
24	SC-119-56	Mach. Screw 10-32 x 1/4 Pan Hd.....	1
25	274924	Knob - Lock (Top Cover).....	1
26	WS-23-3	Washer.....	1
27	SC-55-1	Set Screw 10-24 x 1/4 Soc. Hdls. Cup Pt. SST.....	2
28	SC-64-4	Set Screw 1/4-28 x 3/8 Hdls., Flat Pt. "Nylok".....	1
29	73356	Screw - Knife (Incls.items 28 & 30).....	1
30	73265	Plug - Plate Thrust.....	1
31	SD-37-44	Self-Tapping Screw 1/4-20 x 15/8 Pan Hd., Type TT.....	4
32	WS-022-08	Washer (SST).....	2
33	435401	Spacer - Deflector Mounting.....	2
34	275913-1	Knife (Service).....	1



KNIFE SHARPENER UNIT

KNIFE SHARPENER UNIT

ILLUS.	PART NO.	NAME OF PART	AMT.
PL-50723B			
1	SC-115-35	Mach. Screw 8-32 x 1/2 Flat Hd.....	1
2	435081	Top Cover - Sharpener.....	1
3	274934	Button - Truing Arm.....	1
4	119871	Spacer - Grinding Wheel Shaft.....	1
5	BA-2-1	Ball 1/8 Dia.....	11
6	270503	Shaft - Grinding Wheel.....	1
7	73851-3	Grinding Wheel (Incls. Fiber Washer Between items 7 & 8).....	1
8	435814	Screw - Special 1/4-28 UNF-2A.....	1
9	274933	Body - Sharpener & Pins.....	1
10	274929	Arm - Truing.....	1
11	PG-7-40	Groove Pin 1/16.....	1
12	119882	Holder & Truing Stone Assy.....	1
13	435324	Spring - Truing Stone.....	1
14	437384	Spring - Truing Arm.....	1
15	69585-1	Plug Button.....	1
16	RR-10-6	Retaining Ring.....	1
17	RR-11-4	Retaining Ring.....	1
18	SD-15-40	Self-Tapping Screw 8-32 x 3/8 Phil Pan Hd., Type TT.....	2
19	119867	Spring - Compression.....	1
20	270501	Sleeve - Sharpener.....	1
	274926	Sharpener Assy.(Incls.items 1 thru 20).....	1
	437396	Sharpener Kit TMS (Incls.item 7 & 12).....	1



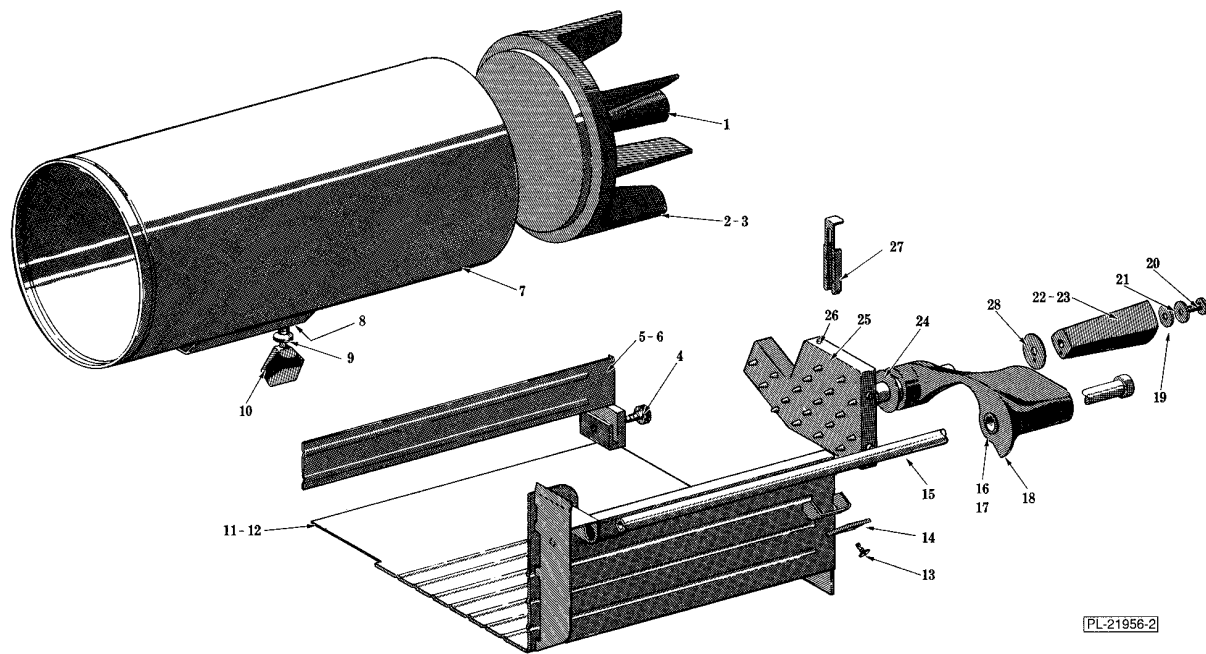
PL-21956-1

1612E CARRIAGE TRAY UNIT

1612E CARRIAGE TRAY UNIT

ILLUS.	PART NO.	NAME OF PART	AMT.
PL-21956-1			
*1	70194	Handle - Gauge Plate.....	1
*2	75930	Plate - Pusher.....	1
*3	75945	Pusher Plate & Handle Assy. (Incls.items 1 & 2).....	1
4	290984	Thumb Screw - Fence.....	1
5	295118	Fence & Thumb Screw Assy. (Packaged) (Incls.item 4) (SST).....	1
6	295117	High Fence & Thumb Screw Assy. (Horizontal Carriage Tray) (Incls.item 4)(SST).....	1
7	RR-11-60	Retaining Ring.....	1
*8	107364-2	Washer - Belleville.....	2
*9	108197-13	Thumb Screw.....	1
10	437115-1	Carriage Tray Assy. (SST) (Incls.item 13).....	1
11	SC-8-9	Mach. Screw 10-24 x 3/8 Rd. Hd.....	2
12	72579	Clip - Meat Grip Retaining.....	1
13	435949	Shaft - Knob Assy.....	13
14	437124	Bearing - Meat Grip Arm.....	2
15	WS-21-19	Washer.....	AR
16	437123	Meat Grip Arm & Bearing Assy. (Incls.item 14).....	1
17	70344	Washer - Handle Tension.....	1
18	68042	Screw - Truss Hd. "Nylok".....	1
19	70345	Washer - Handle Retaining.....	1
20	70202	Handle - Meat Grip.....	1
21	437006	Washer - Handle.....	1
22	437007	Washer.....	1
23	77534	Meat Grip Assy. (Metallic) (Not Shown).....	1
24	120906	Meat Grip Assy (Standard, Non-Metallic).....	1
25	70341	Meat Holder - Meat Grip.....	2
*26	118332-1	Tube & Angled Seat Assy.....	1
*	ML-31329-Z	Food Chute Attachment Assy. (Incls.items 3,8,9 & 26).....	1
	437119-1	NLA - Obsolete--Carriage Tray Assy. (Standard) (Incls.items 10 thru 12,15 thru 22 & 24) (SST).....	1
	437119-2	NLA - Obsolete--Carriage Tray Assy. (Optional) (Incls.items 10 thru 12 & 15 thru 23 & 25) (SST).....	1
	437125	Meat Grip & Arm Assy. (Non-Metallic) (Incls.items 16 thru 22 & 24).....	1
	437126-1	NLA - Obsolete--Meat Grip & Arm Assy. (Metallic) (Incls.items 16 thru 23 & 25).....	1

* Attachment chute (Special, used in place of carriage)

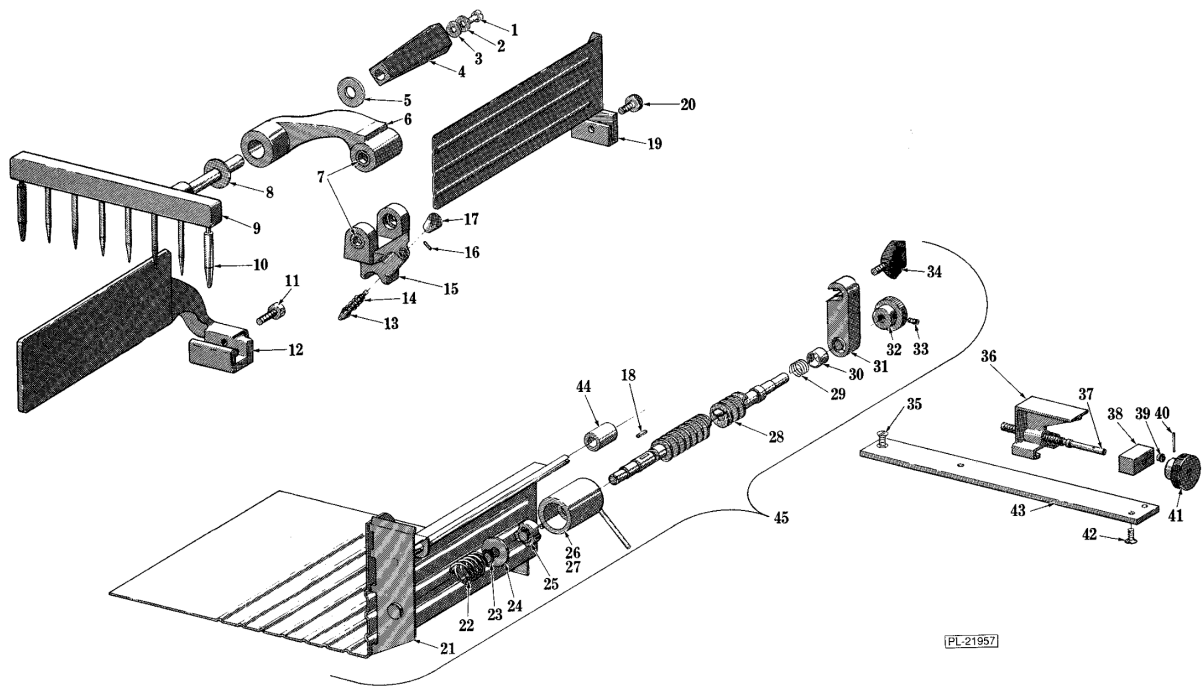


1712E CARRIAGE TRAY UNIT

1712E CARRIAGE TRAY UNIT

ILLUS.	PART NO.	NAME OF PART	AMT.
PL-21956-2			
*1	70194	Handle - Gauge Plate.....	1
*2	75930	Plate - Pusher.....	1
*3	75945	Pusher Plate & Handle Assy. (Incls.items 1 & 2).....	1
4	290984	Thumb Screw - Fence.....	1
5	295118	Carriage Fence & Thumb Screw Assy. (Packaged) (Incls.item 4) (SST).....	1
6	295117	High Fence & Thumb Screw Assy.(Horizontal Carriage Tray) (Packaged) (Incls.item 4) (SST).....	1
*7	118332-1	Tube & Angled Seat Assy.....	1
8	RR-11-60	Retaining Ring.....	1
*9	107364-2	Washer - Belleville.....	1
*10	108197-13	Thumb Screw.....	1
11	437115-1	Carriage Tray Assy. (SST) (Incls.item 15).....	1
12	437116	Horizontal Carriage Tray & Slide Rod Assy. (SST) (Incls.item 15).....	1
13	SC-8-9	Mach. Screw 10-24 x 3/8 Rd. Hd.....	2
14	72579	Clip - Meat Grip Retaining.....	1
15	435949	Shaft - Knob Assy.....	1
16	437124	Bearing - Meat Grip Arm.....	2
17	WS-21-19	Washer.....	AR
18	437123	Meat Grip Arm & Bearing Assy. (Incls.item 16).....	1
19	70344	Washer - Handle Tension.....	1
20	68042	Screw - Truss Hd. "Nylok".....	1
21	70345	Washer - Handle Retaining.....	1
22	70202	Handle - Meat Grip.....	1
23	291781	Handle - Meat Grip (Weighted).....	1
24	437007	Washer.....	1
25	77534	Meat Grip Assy. (Incls.item 26).....	1
26	70360-1	Button - Plastic.....	5
27	70341	Meat Holder - Meat Grip.....	2
28	437006	Washer - Handle.....	1
*	ML-31329-Z	Food Chute Attachment Assy. (Incls.items 3,7,9 & 10).....	1
	437126-1	NLA - Obsolete--Meat Grip & Arm Assy. (Metallic) (Incls.items 16 thru 23 & 25).....	1
	437126-2	NLA - Obsolete--Meat Grip & Arm Assy. (Weighted) (Incls.items 18 thru 21 & 23 thru 28).....	1
	437120	NLA - Obsolete--Horizontal Carriage Tray, Grip & Arm (Incls. items 2, 3, 4, 23, 25, 26 & 28).....	1
	437119-3	NLA - Obsolete--Carriage Tray, Grip & Arm Assy. (Std)	1
	437119-5	NLA - Obsolete--Tray,Weighted Grip & Arm(Incls.items 5,8 thru 11,13,14,16 thru 21 & 23 thru 28)(SST).....	1

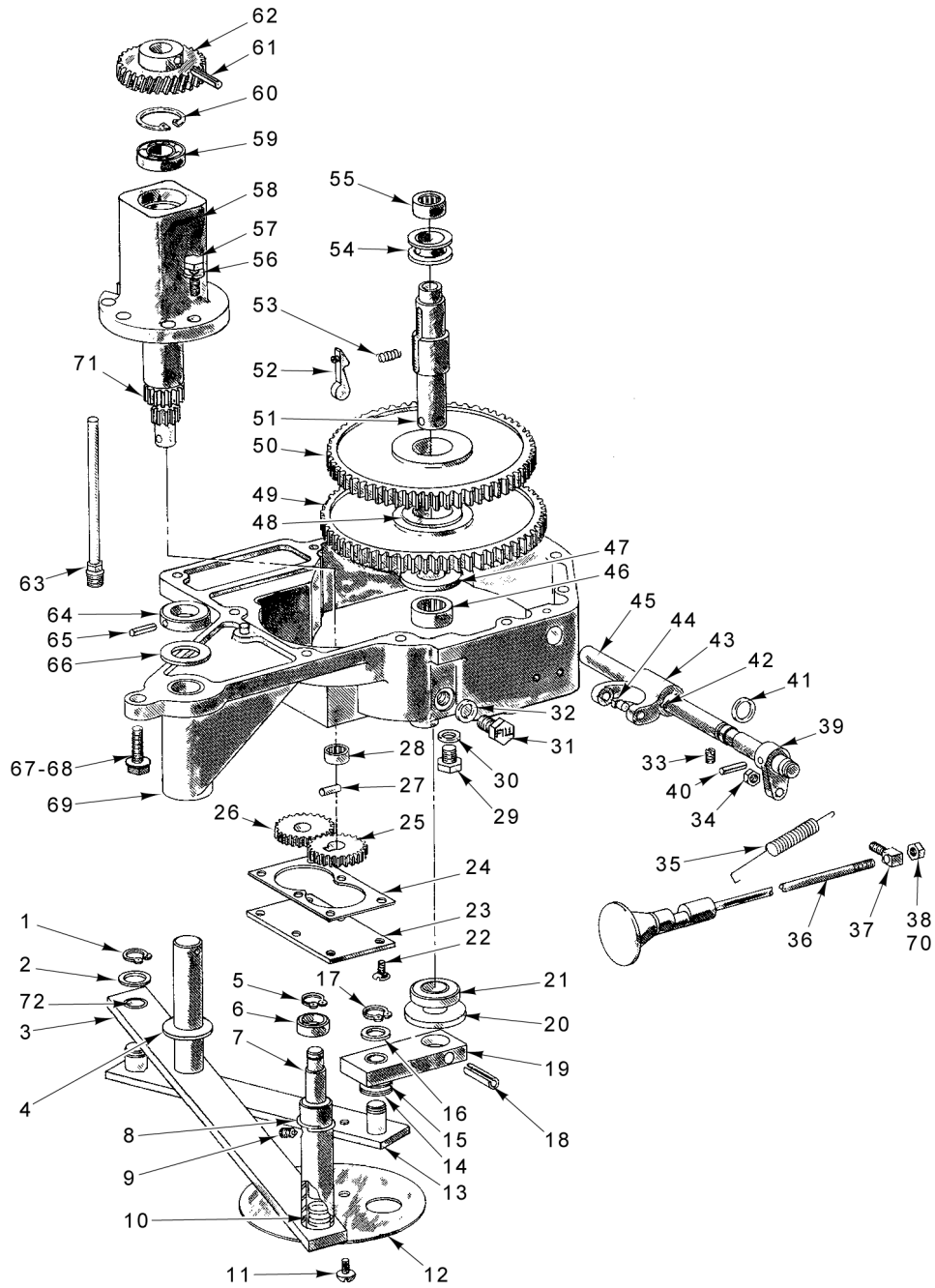
* Attachment chute (Special, used in place of carriage)



1712RE CARRIAGE TRAY UNIT

1712RE CARRIAGE TRAY UNIT

ILLUS.	PART NO.	NAME OF PART	AMT.
PL-21957			
1	68042	Screw - Truss Hd, "Nylok".....	1
2	70345	Washer - Handle Retaining.....	1
3	70344	Washer - Handle Tension.....	1
4	70202	Handle - Meat Grip.....	1
5	437006	Washer - Handle.....	1
6	437164	Meat Grip Arm & Bearing Assy. (Incls.item 7).....	1
7	437124	Bearing - Meat Grip Arm.....	4
8	437007	Washer.....	1
9	105134-2	Meat Grip Assy. (Incls.item 10).....	1
10	291665	Cover - Meat Grip Pin.....	2
11	290984	Thumb Screw - Fence.....	1
12	291005-1	High Fence & Thumb Screw Assy. (Incls.item 11).....	1
13	105067	Plunger - Feed Screw.....	1
14	105065	Spring - Plunger.....	1
15	114912	Plunger Housing Assy. (Incls.items 7,13,14,16 & 17).....	1
16	PG-7-44	Groov Pin - Type E, 3/32 X 7/16.....	1
17	116491	Knob - Plunger.....	1
18	105393	Key.....	1
19	291005-1	High Fence & Thumb Screw Assy. (Incls.item 20).....	1
20	290984	Thumb Screw - Fence.....	1
21	290973	Carriage Tray & Slide Rod Assy.....	1
22	105064	Spring - Clutch Housing.....	1
23	RR-4-5	Retaining Ring.....	1
24	105068	Washer - Clutch Housing.....	1
25	105073	Clutch - Special.....	1
26	290965	Clutch Housing Assy. (Incls.item 27).....	1
27	105057	Bushing.....	1
28	436903	Screw - Feed.....	1
29	105063	Spring - Feed Screw.....	1
30	105066	Cage - Spring.....	1
31	105240	Feed Screw Latch & Bushing Assy.....	1
32	291342	Knob - Feed Screw.....	1
33	SC-55-2	Set Screw 1/4-20 x 1/4 Hdls., Kn. Cup Pt.....	1
34	108197-9	Thumb Screw.....	1
35	SC-22-39	Mach. Screw 1/4-20 x 5/8 Flat Hd.....	2
36	105186	Block - Actuating.....	1
37	105071	Screw - Adjusting.....	1
38	105075	Retainer - Adjusting Screw.....	1
39	79686	Catch - Friction.....	1
40	RP-2-33	Roll Pin 3/32 Dia. x 1 Lg.....	1
41	105069	Knob - Adjusting Screw.....	1
42	SC-22-19	Mach. Screw 10-24 x 1/2 Flat Hd.....	2
43	291343-2	Slide Plate - Actuating Block.....	1
44	436902	Spacer - Feed Screw.....	1
45	437383	Tray - Horizontal Assy. (Incls.items 18,21 thru 34 & 44).....	1
	105078	Slide Plate, Knob, Actuating Block & Adj. Screw Assy. (Incls.items 36 thru 43).....	1
	105582-2	Meat Grip,Arm & Handle Assy. (Incls. items 1 thru 10).....	1



PL-61425

1712E/1712RE GEAR CASE UNIT

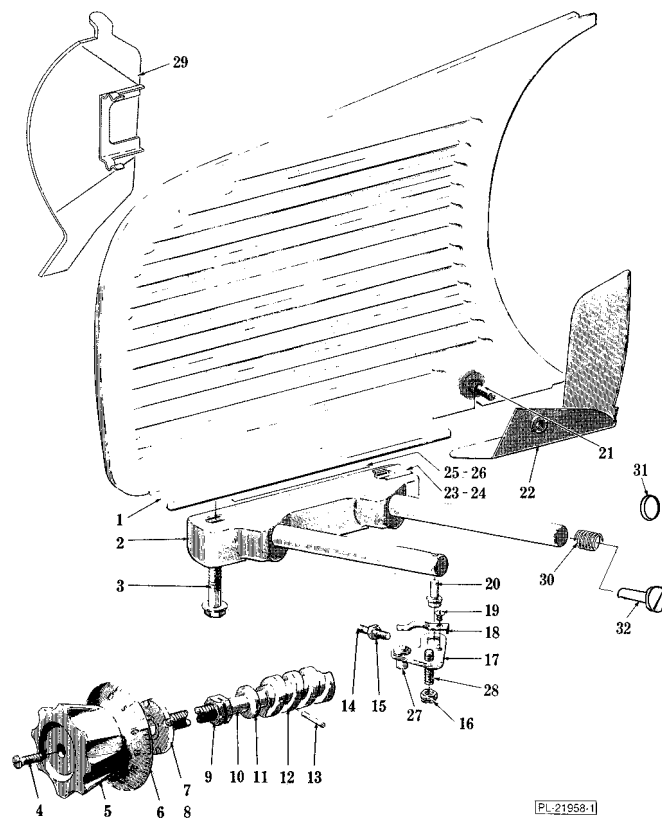
1712E/1712RE GEAR CASE UNIT

ILLUS. PL-61425	PART NO.	NAME OF PART	AMT.
1	RR-4-17	Retaining Ring.....	1
2	WS-7-21	Washer.....	1
3	70259	Engaging Arm Assy.....	1
4	70283	Washer - Pivot Shaft Thrust.....	1
5	RR-4-3	Retaining Ring.....	1
6	70303	Roller - Engaging Mech.....	1
7	70295	Shaft - Engaging Mech.....	1
8	70396	Ring - Stop Retaining.....	1
9	70324	Stop - Engaging Mech. Shaft.....	1
10	70307	Spring - Engaging Mech.....	1
11	SC-9-28	Mach. Screw 10-24 x 3/8 Rd. Hd.....	2
12	103915	Cover Plate - Connecting Rod.....	2
13	70268	Connecting Rod Assy.....	1
14	WS-8-9	Washer.....	2
15	WS-8-8	Washer.....	1
16	WS-7-21	Washer.....	1
17	RR-4-17	Retaining Ring.....	1
18	RP-2-46	Roll Pin 1/4 Dia X 1 1/4 Lg.....	1
19	123889	Arm & Bearing Assy.....	1
20	70290	Washer - Crank Arm Thrust.....	1
21	70442	Seal - Drive Shaft.....	1
22	SC-14-76	Mach Screw 10-24 x 3/8 Flat Hd.....	6
23	70234	Cover Gear Pump Bottom.....	1
24	70244	Gasket - Bottom Cover.....	1
25	70243	Gear - Oil Pump Drive (27T).....	1
26	70242	Gear - Oil Pump Idler (27T).....	1
27	11800-200	Dowel.....	1
28	BN-2-13	Needle Bearing (Torrington #B-86).....	1
29	SC-62-68	Cap Screw 1/2-20 x 3/4 Hex Hd.....	1
30	WS-21-21	Washer.....	1
31	64465-3	Plug - Oil Fill.....	1
32	WS-21-20	Washer.....	1
33	SC-63-14	Set Screw 8-32 x 1/2 Hdls., Flat Pt.....	1
34	NS 32-1	Stop Nut 10-24 "Flexloc".....	1
35	70285	Spring - Shifter Mech.....	1
36	70446	Shift Rod Selector & Knob Assy.....	1
37	70286	Knuckle Shifter.....	1
38	NS-9-30	Mach Nut 10-32 Hex.....	2
39	70296	Bracket Shifter.....	1
40	RP-2-28	Roll Pin 3/16 Dia x 3/4 Lg.....	1
41	67500-2	"O" Ring.....	1
42	12430-3	Key 1/8 Sq x 1 1/8 Lg.....	1
43	61654	Yoke - Shifter.....	1
44	61655	Shoe - Shifter.....	2
45	70267	Shaft - Shifter.....	1
46	BN-2-15	Needle Bearing (Torrington #B-126).....	1
47	70281	Washer - Gear Thrust.....	1
48	70274	Collar - Diving Key.....	1
49	72715	Gear - Driven (119T) (Low Speed).....	1
50	70170	Gear - Driven (114T) (High Speed).....	1
51	293036	Shaft - Crank Arm Drive.....	1
52	435543	Key - Diving.....	1
53	70308	Spring - Diving Key.....	1
54	61656	Sleeve - Clutch Shifter.....	1
55	BN-2-14	Needle Bearing (Torrington #M-881).....	1

1712E/1712RE GEAR CASE UNIT

ILLUS.	PART NO.	NAME OF PART	AMT.
PL-61425			
56	WL-3-37	Lockwasher 1/4 Medium.....	3
57	SC-36-6	Cap Screw 1/4-20 x 1 Hex Hd.....	3
58	70156	Carrier - Pinion Shaft Bearing.....	1
59	BB-15-37	Ball Bearing - N.D. #3LO3.....	1
60	RR-11-52	Retaining Ring.....	1
61	RP-3-8	Roll Pin 3/16 Dia. x 1 1/8 Lg.....	1
62	70159	Gear - Worm (29T).....	1
63	70248	Fitting & Oil Tube Assy.....	1
64	70275	Collar - Pivot Shaft Thrust.....	1
65	RP-3-12	Roll Pin 1/8 Dia. x 1 1/4 Lg.....	1
66	70283	Washer - Thrust.....	1
67	SD-33-8	Self-Tapping Screw 5/16-18 x 1 Hex Washer Hd., Type TT.....	4
68	SD-33-9	Self-Tapping Screw 5/16-18 x 3 Hex Washer Hd., Type TT.....	7
69	124640-1	Gear Case, Bearing & Dowel Assy (Incls. items 21 & 46).....	1
70	WL-8-13	Lockwasher 10 Internal Shakeproof.....	2
71	72716	Shaft - Pinion (19T & 14T).....	1
72	00-070438	Bearing.....	1
	72714	Brg. Carrier, Pinion Shaft & Gear Assy (Incls. items 58 thru 62 & 71).....	1
	106933	Drive Shaft Assy (Incls. items 51, 52, 53 & 54).....	1

NOTES



GAUGE PLATE & INDEXING MECH

GAUGE PLATE & INDEXING MECH

ILLUS.	PART NO.	NAME OF PART	AMT.
PL-21958-1			
1	124768	Gauge Plate Unit.....	1
2	274989	Gauge Plate Support & Slide Rod Assy.....	1
3	112913	Screw - Special.....	2
4	SC-23-10	Mach. Screw 10-24 x 3/4 Oval Hd.....	1
5	114214	Cap - Index Knob.....	1
6	118175	Dial Assy.....	1
7	76948	Disc - Indexing Drive.....	1
8	RP-2-40	Roll Pin 3/32 Dia. x 3/4 Lg.....	1
9	10928-2	Nut - Special.....	2
10	87494	Shaft - Indexing.....	1
11	88298	Washer - Belleville.....	2
12	87495	Worm - Indexing.....	1
13	RP-3-1	Roll Pin 5/32 Dia. x 5/8 Lg.....	1
14	SC-63-28	Set Screw 1/4-20 x 1 Hdls., Flat Pt.....	1
15	NS-17-1	Jam Nut 1/4-20 Hex.....	1
16	NS-32-12	Stop Nut 5/16-18 "Flexloc".....	1
17	437213	Indexing Plate Assy. (Incls.items 18,19,27 & 28).....	1
18	437212	Spring - Indexing Plate.....	1
19	SC-8-14	Mach. Screw 10-32 x 3/16 Rd. Hd.....	1
20	70343	Roller - Indexing Plate (Straight).....	1
21	109702	Thumb Screw (1712E & 1712RE).....	1
22	105256	Meat Deflector (1712E & 1712RE).....	1
23	291171-1	Spacer - Gauge Plate Sprocket (.003 Thk.).....	AR
24	291171-2	Spacer - Gauge Plate Sprocket (.005 Thk.).....	AR
25	122559	Shim (Specify Dash #: -1 = .0075 Thk.; -2 = .010 Thk. & -3 = .0125 Thk.).....	AR
26	122573	Shim(Specify Dash #: -1 = .002 Thk.; -2 = .003 Thk.; -3 = .0125 Thk.; -4 = .005 Thk.).....	AR
27	70342	Roller - Indexing.....	1
28	291569	Stud - Collar Assy.....	1
29	274911	Deflector.....	1
30	274906	Spring - Gage Plate.....	1
31	76952	Plug - Expansion.....	1
32	274905	Stop Screw - Special.....	1
	87493	Indexing Shaft & Worm Assy (Incls.items 10, 12 & 13).....	1

