



CATALOG OF REPLACEMENT PARTS



MODEL RS22A & AW-SERIES PREWASH UNIT

CRS66A

ML-104052 R-L
ML-104055 L-R

CRS66AW

ML-104086 R-L
ML-104087 L-R

CRS76A

ML-104202 R-L
ML-104201 L-R

CRS86A

ML-103910 R-L
ML-103911 L-R

CRS110A

ML-110044 R-L
ML-111043 L-R

PRIOR MLs COVERED

CRS66A

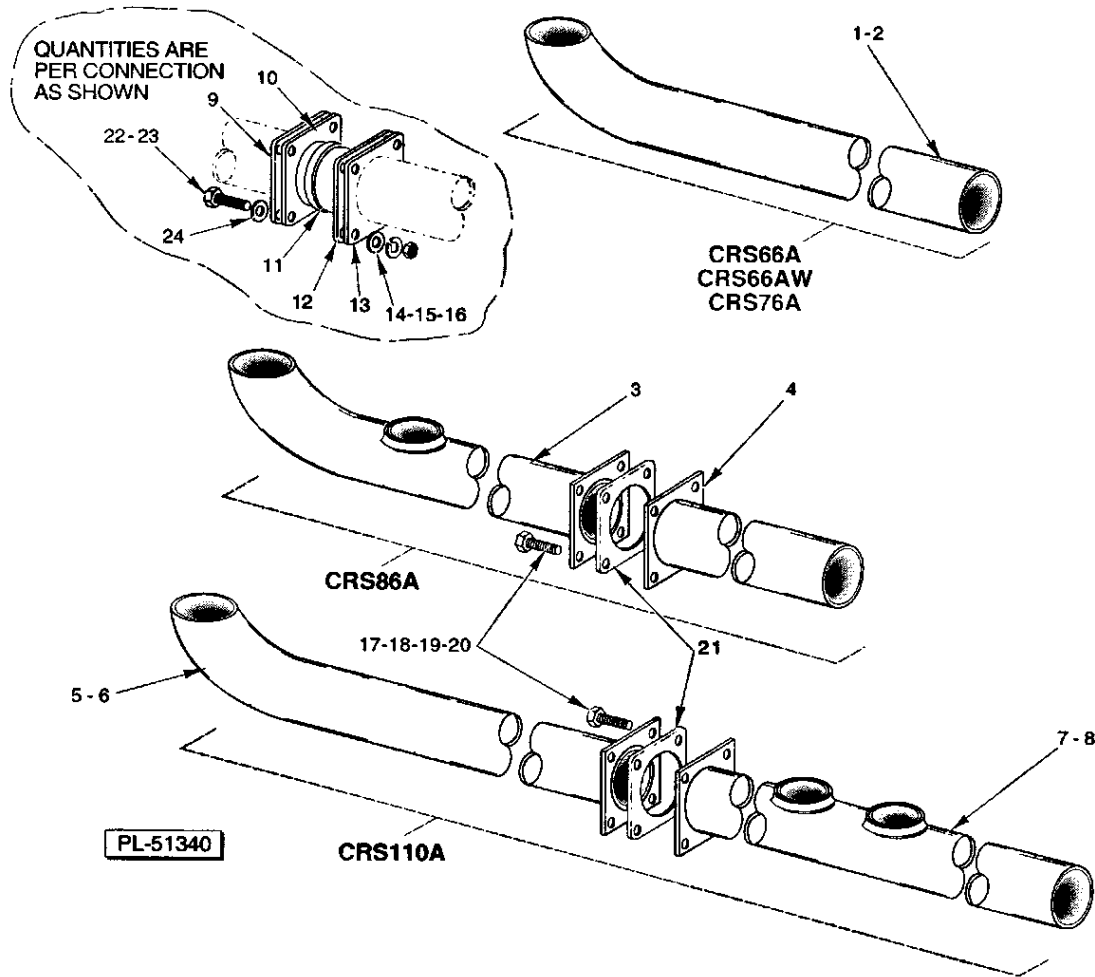
ML-38947 R-L
ML-38948 L-R

CRS66AW

ML-103958 R-L
ML-103959 L-R

Table of Contents

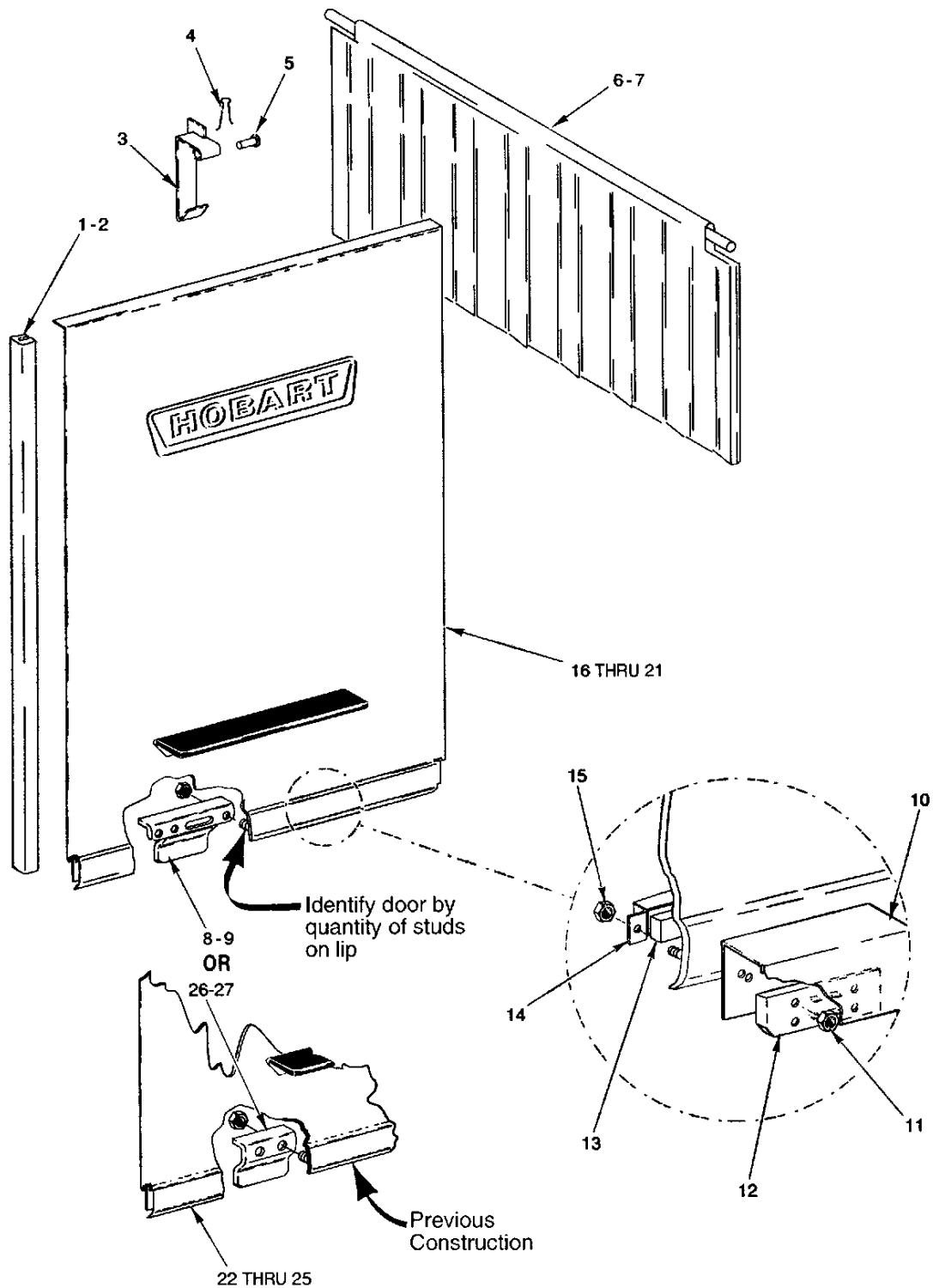
5	FLOW BACK TUBE
7	DOOR AND CURTAIN
9	PREWASH MOTOR AND PUMP
11	PREWASH CHAMBER AND TANK
13	PREWASH ARMS AND TUBES
17	DRAIN
19	WATER LEVEL FLOATS
21	TRACK AND CRADLE
23	ACTUATOR MECHANISM
25	PREWASH TEMPERATURE CONTROL PIPING
27	PREWASH TEMPERATURE CONTROL - ELECTRICAL
29	BUCKET AND STRAINER PANS
31	MISCELLANEOUS



FLOW BACK TUBE

FLOW BACK TUBE

ILLUS. PL-51340	PART NO.	NAME OF PART	AMT.
1	00-274113-1	Flow Back Tube (R-L) (CRS66A/AW & CRS76A).....	1
2	00-274113-2	Flow Back Tube (L-R) (CRS66A/AW & CRS76A).....	1
3	00-436708	Flow Back Tube-Inside (CRS86A).....	1
4	00-436710-1	Flow Back Tube-Outside (CRS86A).....	1
5	00-329664	Flow Back Tube-Outside (R-L) (CRS110A).....	1
6	00-289502	Flow Back Tube-Outside (L-R) (CRS110A).....	1
7	00-329658-2	Flow Back Tube-Inside (R-L) (CRS110A).....	1
8	00-329659-2	Flow Back Tube-Inside (L-R) (CRS110A).....	1
9	00-120115	Retainer - Seal.....	1
10	00-120603	Gasket - Seal Retainer.....	1
11	00-077621-2	Ring - Sealing.....	1
12	00-120603	Gasket - Seal Retainer.....	1
13	00-120115	Retainer - Seal.....	1
14	WS-017-08	Washer (0.328 x 0.625 x 0.062) (SST).....	4
15	WL-006-23	Lockwasher 5/16 Helical (SST).....	4
16	NS-015-11	Nut 5/16 -18 Hex.....	4
17	SC-041-15	Cap Screw 5/16 -18 x 1 1/4 Hex Hd.....	4
18	WS-017-08	Washer (0.328 x 0.625 x 0.062) (SST).....	8
19	WL-006-23	Lockwasher 5/16 Helical (SST).....	4
20	NS-015-11	Nut 5/16 -18 Hex.....	4
21	00-120603	Gasket - Seal Retainer.....	2
22	SC-041-15	Cap Screw 5/16 -18 x 1 1/4 Hex Hd.....	4
23	00-545595	Sealer (1/8 Rd).....	AR
24	WS-017-08	Washer (0.328 x 0.625 x 0.062) (SST).....	4



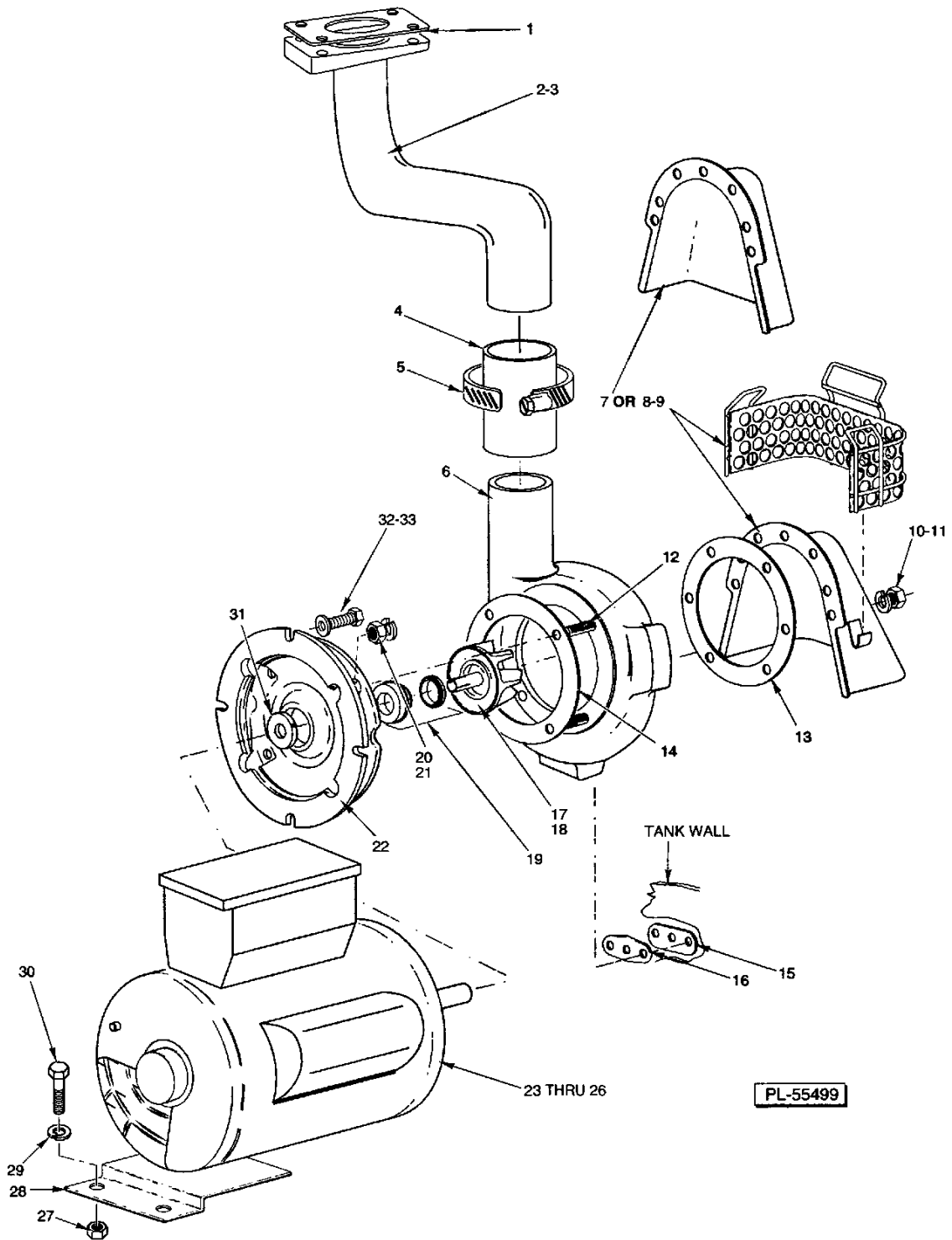
PL-55281

DOOR AND CURTAIN

DOOR AND CURTAIN

ILLUS.	PART NO.	NAME OF PART	AMT.
PL-55281			
1	00-112378-49	Door Slide (26 1/8 Door Height).....	2
2	00-112378-50	Door Slide (32 1/8 Door Height).....	2
3	00-185864	Catch - Door.....	1
4	PC-005-02	Cotter Pin 1/16 x 1/2 (SST).....	1
5	00-012114	Pin.....	1
6	00-120151-1	Splash Curtain (10-C1).....	1
7	00-120266-1	Curtain Rod.....	AR
8	00-328065	Actuator - Lift Drain.....	1
9	NS-031-21	Stop Nut - Special 1/4 -20 Hex.....	AR
10	00-270996	Insulator - Switch.....	1
11	NS-031-50	Stop Nut 6-32 Hex (SST).....	2
12	00-892896	Kit - Service Reed Switch.....	1
13	00-290160	Magnet.....	1
14	00-290159	Retainer - Magnet.....	1
15	NS-031-50	Stop Nut 6-32 Hex (SST).....	2
16	00-328080-3	Door (26 1/8) (R-L) (4 Studs).....	1
17	00-328080-4	Door (26 1/8) (L-R) (4 Studs).....	1
18	00-328081-3	Door (32 1/8) (R-L) (4 Studs).....	1
19	00-328081-4	Door (32 1/8) (L-R) (4 Studs).....	1
20	00-329296-3	Door (26 1/8) (R-L & L-R) (8 Studs).....	1
21	00-329297-3	Door (32 1/8) (R-L & L-R) (8 Studs).....	1
*22		Door (26 1/8) (R-L).....	1
*23		Door (26 1/8) (L-R).....	1
*24		Door (32 1/8) (R-L).....	1
*25		Door (32 1/8) (L-R).....	1
26	00-274767	Actuator - Lift Drain.....	1
27	NS-031-21	Stop Nut - Special 1/4 -20 Hex.....	2
	00-120152-1	Splash Curtain Assy (Incls Items 6 & 7).....	1

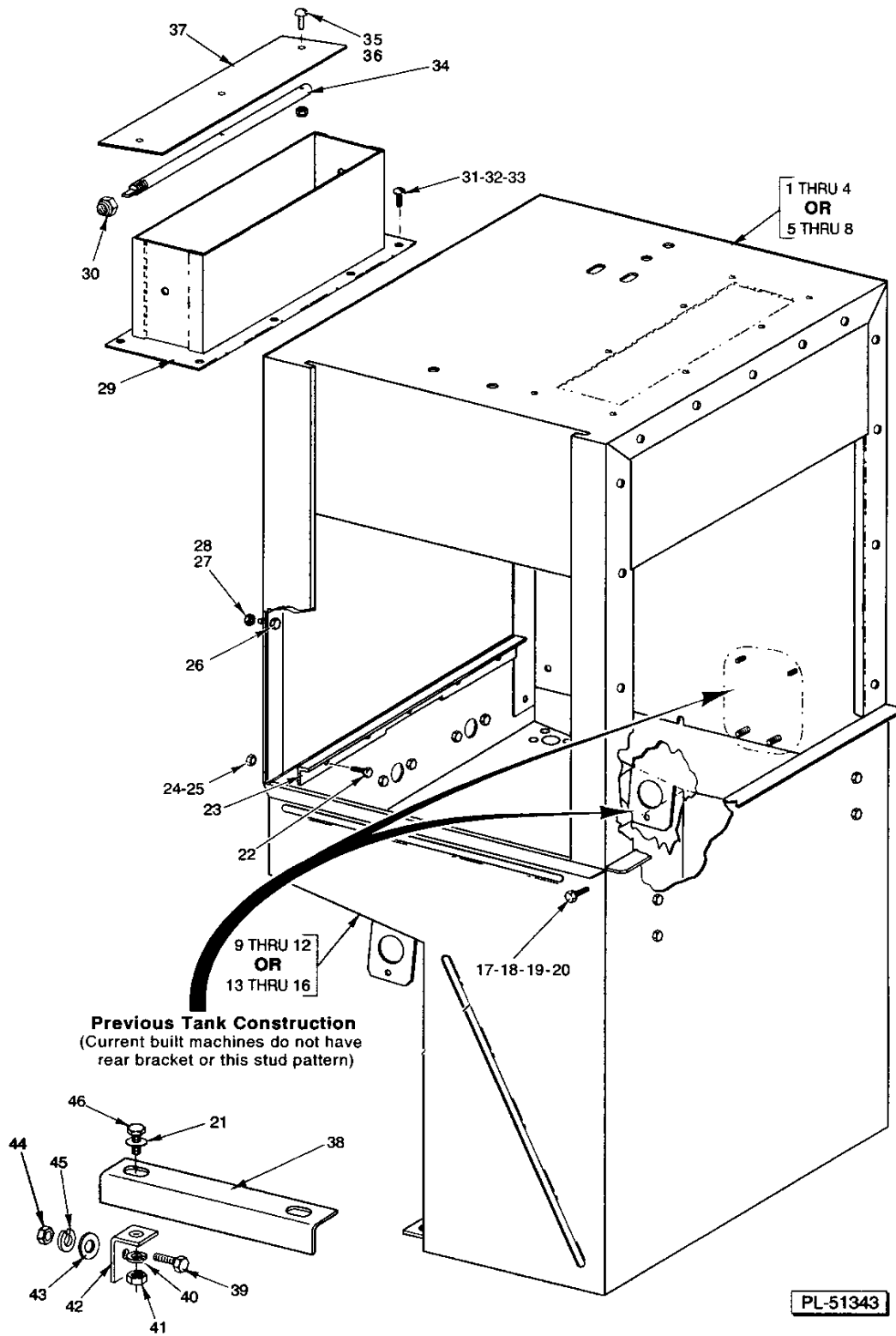
* NLA Order either #16,17,18 or 19 & #8 to convert to present style



PREWASH MOTOR AND PUMP

PREWASH MOTOR AND PUMP

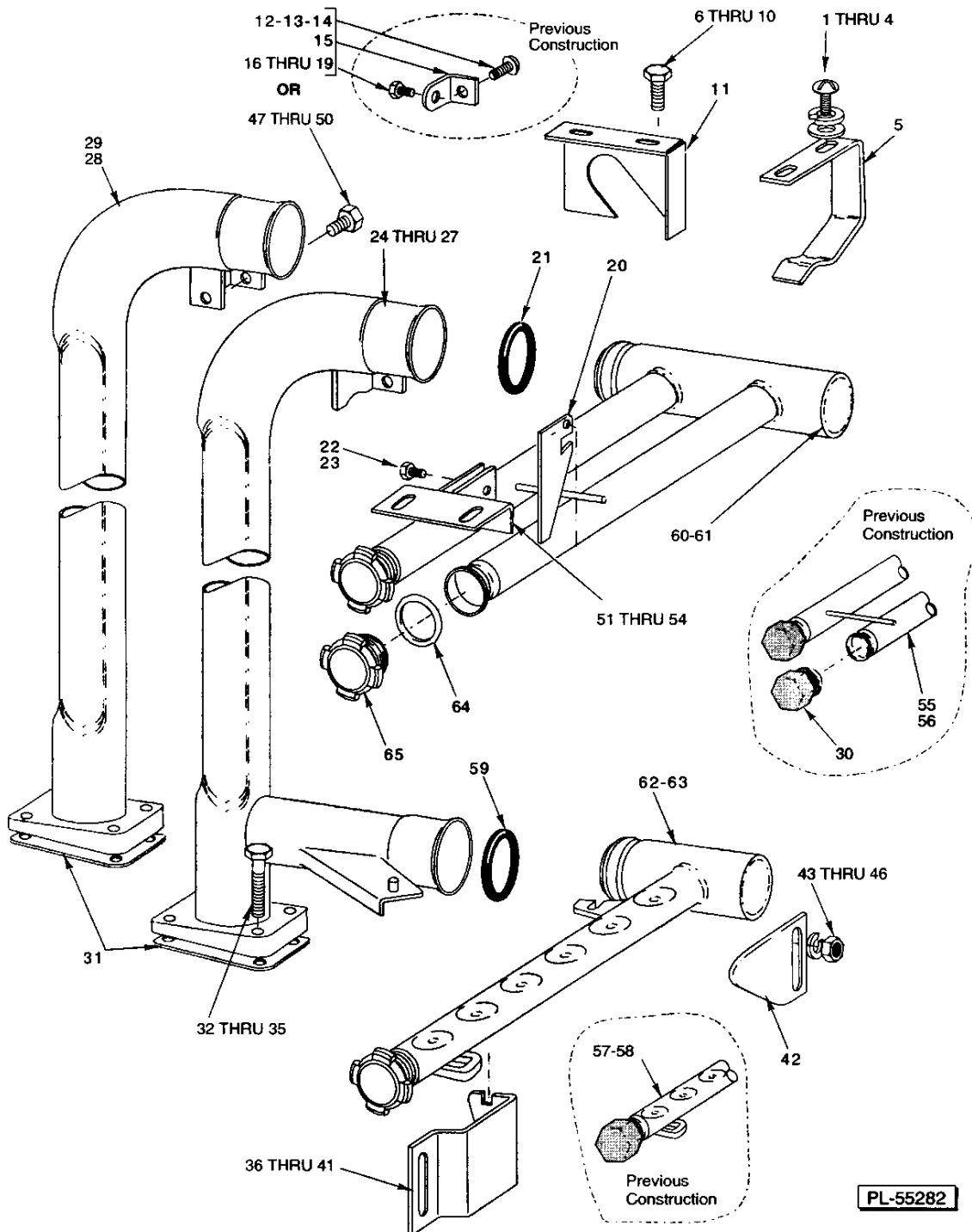
ILLUS.	PART NO.	NAME OF PART	AMT.
PL-55499			
1	00-270968	Gasket - Wash Pipe.....	1
2	00-274133	Tube - Discharge (R-L).....	1
3	00-274148	Tube - Discharge (L-R) (Not Shown).....	1
4	00-749586	Hose - Discharge.....	1
5	00-542337	Clamp - Hose.....	2
6	00-274227-1	Pump Shell (Incls Item 7).....	1
7	00-274223	Shroud.....	1
8	00-274246	Shroud.....	1
9	00-328362	Strainer - Pump.....	1
10	WL-006-23	Lockwasher 5/16 Helical (SST).....	10
11	NS-015-11	Nut 5/16-18 Hex (SST).....	10
12	00-274227-5	Stud.....	AR
13	00-119050	Gasket.....	1
14	00-274227-4	Gasket.....	1
15	00-812776	Support Plate.....	2
16	00-119051	Gasket - Pump Drain Hole.....	2
17	00-274227-8	Impeller & Sleeve (60 Hz).....	1
18	00-274227-11	Impeller & Sleeve (50 Hz).....	1
19	00-274227-6	Seal - Shaft.....	1
20	WL-006-22	Lockwasher 5/16 Light.....	4
21	NS-015-11	Nut 5/16-18 Hex (SST).....	4
22	00-274227-3	Adapter.....	1
23	00-274230-5	Motor (1 Ph, 60 Hz) (1 Hp).....	1
24	00-274230-6	Motor (3 Ph, 60 Hz) (1 Hp).....	1
25	00-274230-7	NLA - Obsolete--Motor (1 Ph, 50 Hz) (1 Hp).....	1
26	00-274230-8	Motor (3 Ph, 50 Hz) (1 Hp).....	1
27	NS-015-01	Nut 1/4 -20 Hex (SST).....	2
28	00-812069	Bracket - Motor Support.....	1
29	WL-006-17	Lockwasher 1/4 Helical (SST).....	2
30	SC-041-05	Cap Screw 1/4-20 x 5/8 Hex Hd (SST).....	2
31	00-274227-2	Clamp.....	1
32	SC-041-29	Cap Screw 3/8-16 x 7/8 Hex Hd (SST).....	4
33	WS-006-44	Washer.....	4



PREWASH CHAMBER AND TANK

PREWASH CHAMBER AND TANK

ILLUS. PL-51343	PART NO.	NAME OF PART	AMT.
1	00-435775	Chamber Assy. (26 1/8 Door Height) (R-L).....	1
2	00-435777	Chamber Assy. (26 1/8 Door Height) (L-R).....	1
3	00-435776	Chamber Assy. (32 1/8 Door Height) (R-L).....	1
4	00-435778	Chamber Assy. (32 1/8 Door Height) (L-R).....	1
5	00-274106-1	Chamber Assy. (26 1/8 Door Height) (R-L).....	1
6	00-274129-1	Chamber Assy. (26 1/8 Door Height) (L-R).....	1
7	00-274577-1	Chamber Assy. (32 1/8 Door Height) (R-L).....	1
8	00-274702-1	Chamber Assy. (32 1/8 Door Height) (L-R).....	1
9	00-274099	Tank Assy. W/Rear Bracket (R-L).....	1
10	00-271876	Tank Assy. (L-R) (Not Shown).....	1
11	00-274099-2	NLA - Obsolete--Tank Assy. (R-L) (With Side Loader).....	1
12	00-271876-2	NLA - Obsolete--Tank Assy. (L-R) (With Side Loader).....	1
13	00-329928-1	Tank Assy. (R-L).....	1
14	00-329926-1	Tank Assy. (L-R).....	1
15	00-329928-2	Tank Assy. (R-L) (W/Side Loader).....	1
16	00-329926-2	Tank Assy. (L-R) (W/Side Loader).....	1
17	SC-041-11	Cap Screw 5/16-18 x 3/4 Hex Hd. (SST).....	4
18	WL-006-23	Lockwasher 5/16 Helical (SST).....	6
19	NS-015-11	Nut 5/16-18 Hex (SST).....	6
20	WS-017-01	Washer 0.328 x 0.875 x 0.062 (SST).....	6
21	WS-017-01	Washer 0.328 x 0.875 x 0.062 (SST).....	4
22	SC-041-05	Cap Screw 1/4-20 x 5/8 Hex Hd. (SST).....	5
23	00-274103	Support - Tank.....	1
24	WL-006-17	Lockwasher 1/4 Helical (SST).....	5
25	NS-015-01	Nut 1/4-20 Hex (SST).....	5
26	SC-041-05	Cap Screw 1/4-20 x 5/8 Hex Hd. (SST).....	15
27	WL-006-17	Lockwasher 1/4 Helical (SST).....	15
28	NS-015-01	Nut 1/4-20 Hex (SST).....	15
29	00-075621	Vent Stack Assy.....	1
30	NS-036-12	Stop Nut 3/8-24 Hex (SST).....	1
31	SC-053-02	Mach. Screw 10-24 x 1/2 Slotted Truss Hd. (SST).....	8
32	NS-031-15	Stop Nut 10-24 Hex (SST).....	8
33	00-508453	Sealer.....	AR
34	00-064919	Shaft - Damper.....	1
35	SC-021-11	Mach. Screw 6-32 x 3/4 Slotted Rd. Hd. (SST).....	3
36	NS-031-50	Stop Nut 6-32 Hex (SST).....	3
37	00-075623	Damper - Vent Stack.....	1
38	00-274092-1	Strut - Tank-to-Tank.....	2
39	SC-041-11	Cap Screw 5/16-18 x 3/4 Hex Hd. (SST).....	2
40	WL-006-23	Lockwasher 5/16 Helical (SST).....	4
41	NS-015-11	Nut 5/16-18 Hex (SST).....	4
42	00-274091	Bracket - Strut Support.....	2
43	WS-017-08	Washer (0.328 x 0.625 x 0.062) (SST).....	2
44	NS-015-11	Nut 5/16-18 Hex (SST).....	2
45	WL-006-23	Lockwasher 5/16 Helical (SST).....	2
46	SC-041-11	Cap Screw 5/16-18 x 3/4 Hex Hd. (SST).....	4



PREWASH ARMS AND TUBES

PREWASH ARMS AND TUBES

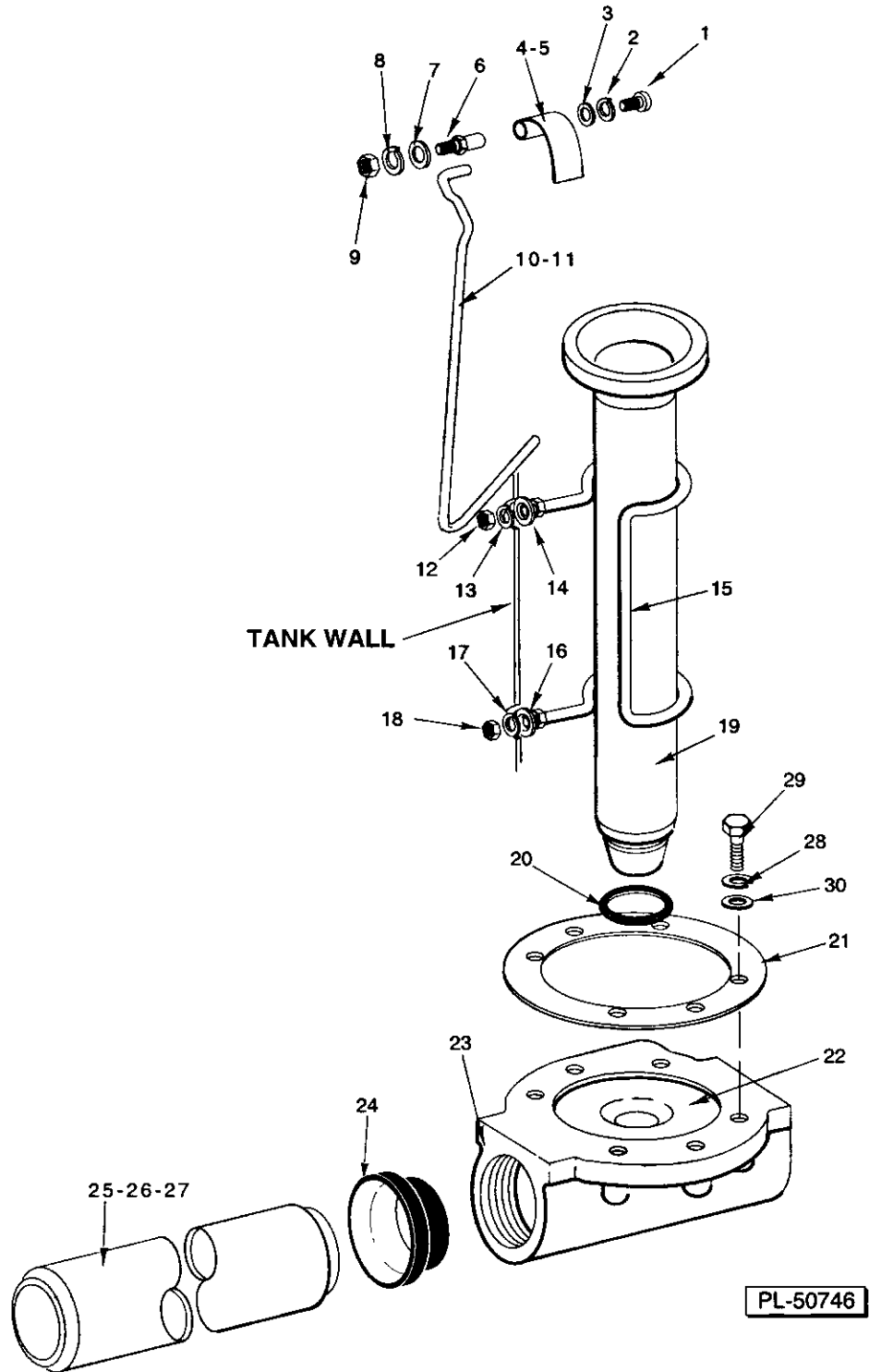
ILLUS. PL-55282	PART NO.	NAME OF PART	AMT.
1	SC-125-85	Mach. Screw 1/4-20 x 5/8 Truss Hd. (SST).....	2
2	WS-022-01	Washer.....	4
3	WL-006-17	Lockwasher 1/4 Helical (SST).....	2
4	NS-015-01	Nut 1/4-20 Hex (SST).....	2
5	00-271026	Hanger - Upper Wash Arm.....	1
6	SC-041-11	Cap Screw 5/16-18 x 3/4 Hex Hd. (SST).....	2
7	WS-017-01	Washer 0.328 x 0.875 x 0.062 (SST).....	2
8	WS-017-08	Washer (0.328 x 0.625 x 0.062) (SST).....	2
9	WL-006-23	Lockwasher 5/16 Helical (SST).....	2
10	NS-015-11	Nut 5/16-18 Hex (SST).....	2
11	00-271029	Guide - Upper Wash Arm.....	1
12	SC-053-42	Mach. Screw 1/4-20 x 5/8 Truss Hd. (SST).....	1
13	WL-006-17	Lockwasher 1/4 Helical (SST).....	1
14	NS-015-01	Nut 1/4-20 Hex (SST).....	1
15	00-185732	Bracket.....	1
16	SC-041-05	Cap Screw 1/4-20 x 5/8 Hex Hd. (SST).....	1
17	WS-022-01	Washer.....	1
18	WL-006-17	Lockwasher 1/4 Helical (SST).....	1
19	NS-015-01	Nut 1/4-20 Hex (SST).....	1
20	00-289760	Latch.....	1
21	00-67500-19	"O"Ring.....	1
22	SC-041-01	Cap Screw 1/4-20 x 3/4 Hex Hd. (SST).....	2
23	NS-031-19	Stop Nut 1/4-20 Elastic (SST).....	2
24	00-274135	Wash Pipe (R-L) (26 1/8 Ht.).....	1
25	00-274138	Wash Pipe (L-R) (26 1/8 Ht.).....	1
26	00-274725	Wash Pipe (R-L) (32 1/8 Ht.).....	1
27	00-274728	Wash Pipe (L-R) (32 1/8 Ht.).....	1
28	00-274145	Wash Pipe (26 1/8 Ht.).....	1
29	00-274726	Wash Pipe (32 1/8 Ht.).....	1
30	00-475087	Plug - Wash Arm.....	3
31	00-270968	Gasket - Wash Pipe.....	1
32	SC-041-68	Cap Screw 5/16-18 x 1 7/8 Hex Hd. (SST).....	4
33	WS-017-08	Washer (0.328 x 0.625 x 0.062) (SST).....	8
34	WL-006-23	Lockwasher 5/16 Helical (SST).....	4
35	NS-015-11	Nut 5/16-18 Hex (SST).....	4
36	00-274108-2	Catch - Adjustable (R-L).....	1
37	00-274108-1	Catch - Adjustable (L-R).....	1
38	NS-015-11	Nut 5/16-18 Hex (SST).....	2
39	WL-006-23	Lockwasher 5/16 Helical (SST).....	2
40	WS-017-08	Washer (0.328 x 0.625 x 0.062) (SST).....	2
41	SC-041-11	Cap Screw 5/16-18 x 3/4 Hex Hd. (SST).....	2
42	00-274222	Support - Adjustable.....	1
43	NS-015-11	Nut 5/16-18 Hex (SST).....	2
44	WL-006-23	Lockwasher 5/16 Helical (SST).....	2
45	WS-017-08	Washer (0.328 x 0.625 x 0.062) (SST).....	2
46	SC-041-11	Cap Screw 5/16-18 x 3/4 Hex Hd. (SST).....	2
47	SC-041-01	Cap Screw 1/4-20 x 3/4 Hex Hd. (SST).....	1
48	WS-022-01	Washer.....	2
49	WL-006-17	Lockwasher 1/4 Helical (SST).....	1
50	NS-015-01	Nut 1/4-20 Hex (SST).....	1
51	00-812821	Bracket.....	1
52	WS-017-08	Washer (0.328 x 0.625 x 0.062) (SST).....	2
53	WL-006-23	Lockwasher 5/16 Helical (SST).....	2
54	NS-015-11	Nut 5/16-18 Hex (SST).....	2
*55	00-274136	NLA - Obsolete--Wash Arm - Upper (R-L).....	1

PREWASH ARMS AND TUBES

ILLUS.	PART NO.	NAME OF PART	AMT.
PL-55282			
*56	00-274130	Wash Arm - Upper (L-R).....	1
*57	00-274131	NLA - Obsolete--Wash Arm - Lower (R-L).....	1
*58	00-274155	Wash Arm - Lower (L-R).....	1
59	00-67500-110	"O"Ring.....	1
60	00-749426	Wash Arm - Upper (R-L).....	1
61	00-749425	Wash Arm - Upper (L-R).....	1
62	00-749424	Wash Arm - Lower (R-L).....	1
63	00-749423	Wash Arm - Lower (L-R).....	1
64	00-67500-127	"O"Ring.....	3
65	00-475589	Plug - Wash Arm.....	3

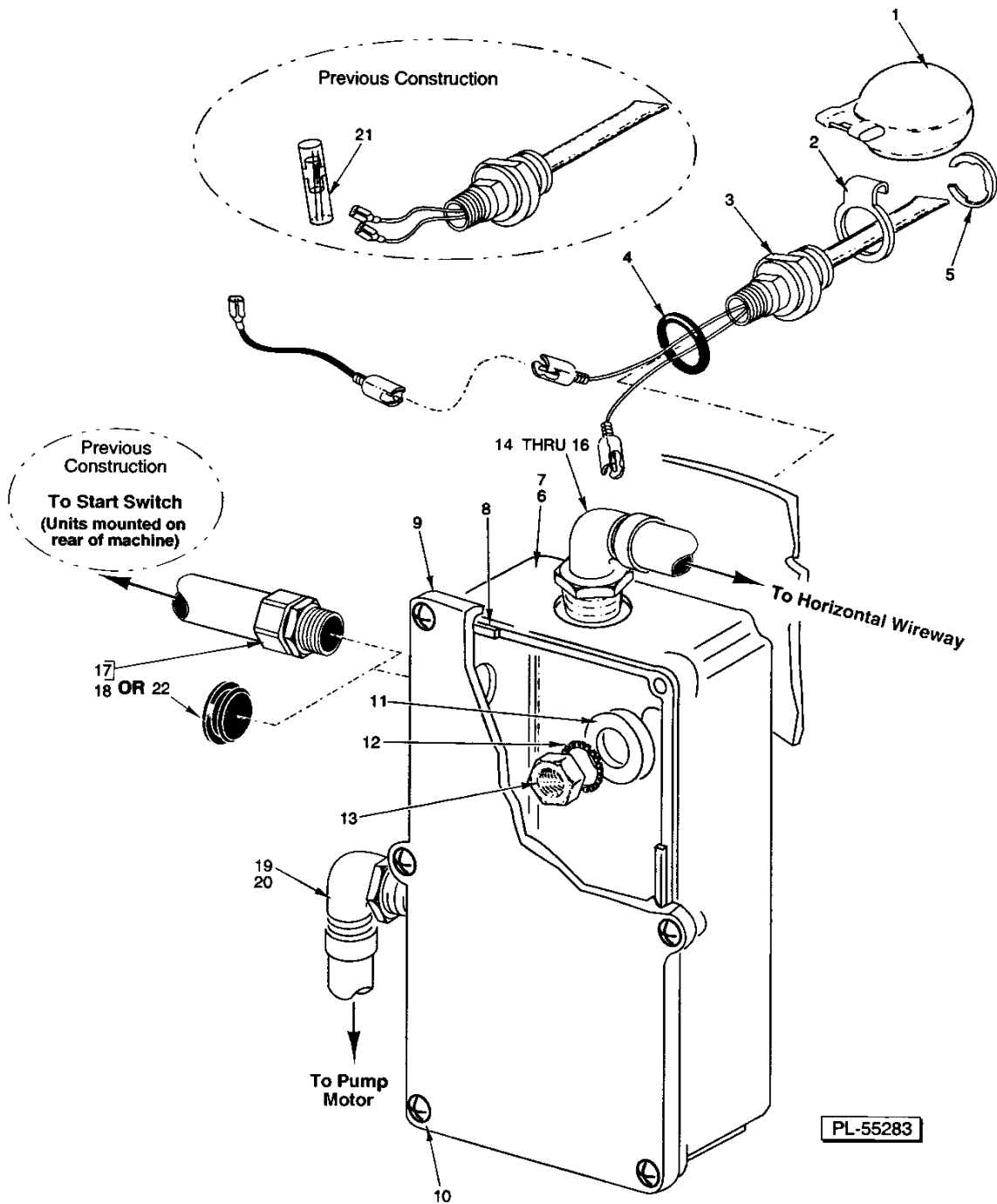
* Obsolete P/N.For replacement use, #60,61,62 or 63 with #64 and 65.

NOTES



DRAIN

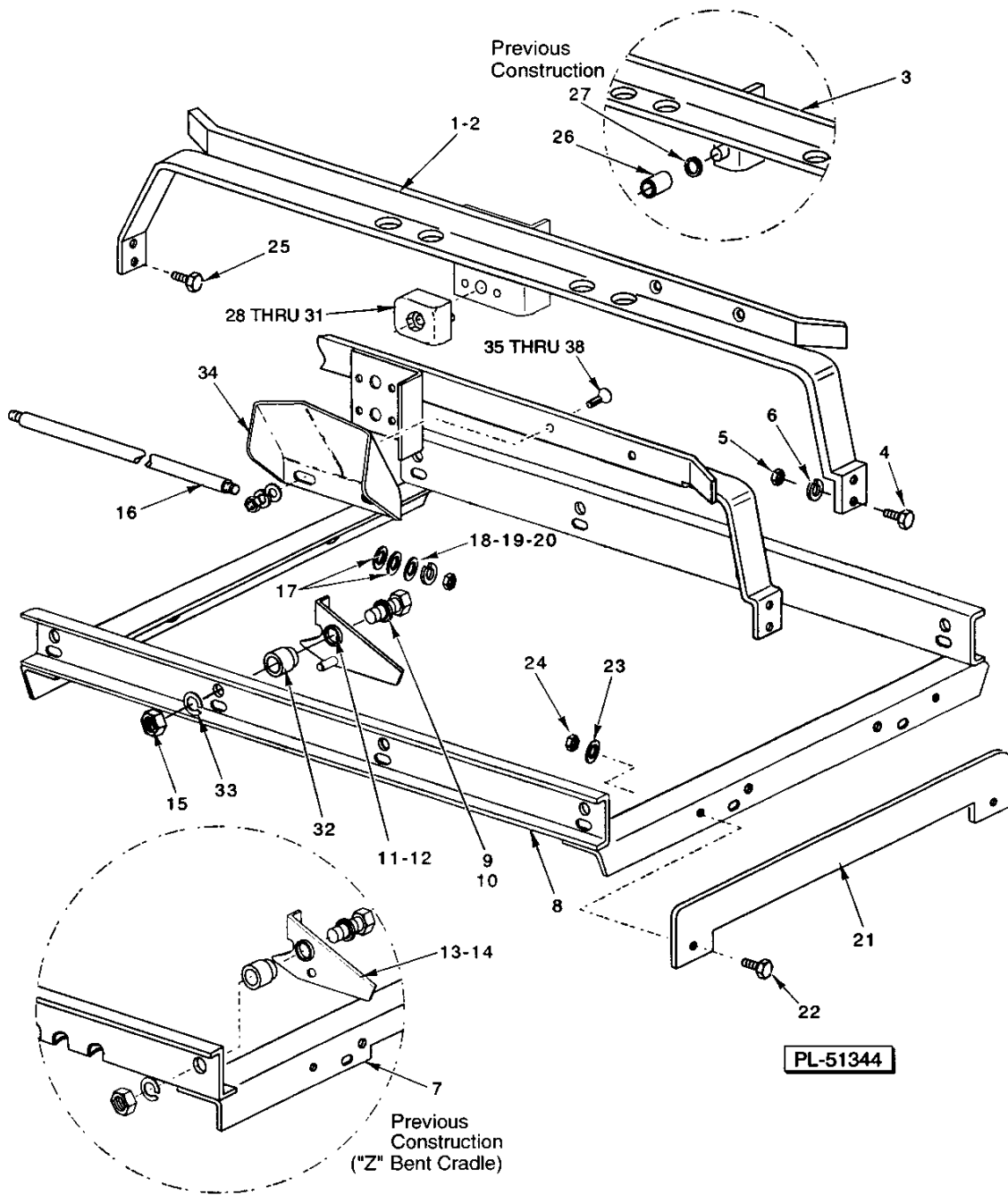
ILLUS.	PART NO.	NAME OF PART	AMT.
PL-50746			
1	SC-021-22	Mach Screw 10-24 x 3/8 Rd Hd (SST).....	1
2	WL-006-07	Lockwasher #10 Helical (SST).....	1
3	WS-023-34	Washer.....	1
4	00-274096	Drain Lever (R-L).....	1
5	00-271070	Drain Lever (L-R).....	1
6	00-119116	Axle - Drain Lever.....	1
7	WS-022-01	Washer.....	1
8	WL-006-17	Lockwasher 1/4 Helical (SST).....	1
9	NS-015-01	Nut 1/4-20 Hex (SST).....	1
10	00-274080	Lift Rod Overflow (R-L).....	1
11	00-274079	Lift Rod Overflow (L-R).....	1
12	NS-015-11	Nut 5/16-18 Hex (SST).....	2
13	WL-006-23	Lockwasher 5/16 Helical (SST).....	1
14	WS-017-01	Washer 0.328 x 0.875 x 0.062 (SST).....	2
15	00-270952	Retainer.....	1
16	WS-017-01	Washer 0.328 x 0.875 x 0.062 (SST).....	2
17	WL-006-23	Lockwasher 5/16 Helical (SST).....	1
18	NS-015-11	Nut 5/16-18 Hex (SST).....	2
19	00-119099-2	Tube - Overflow.....	1
20	00-67500-120	"O"Ring.....	1
21	00-289464	Gasket - Drain.....	1
22	00-270947	Sleeve - Drain Body.....	1
23	00-289465	Drain Body.....	1
24	00-328813	Bushing - Drain.....	AR
25	00-274132-1	Pipe - Drain (R-L) (CRS66A/AW, CRS76A, & CRS110A).....	1
26	00-274132-2	Pipe - Drain (L-R) (CRS66A/AW, CRS76A, & CRS110A).....	1
27	00-274132-6	Pipe - Drain (CRS86A).....	1
28	WL-006-28	Lockwasher 3/8 Helical.....	6
29	SC-041-28	Cap Screw 3/8-16 x 3/4 Hex Hd.....	6
30	WS-006-44	Washer.....	6



WATER LEVEL FLOATS

WATER LEVEL FLOATS

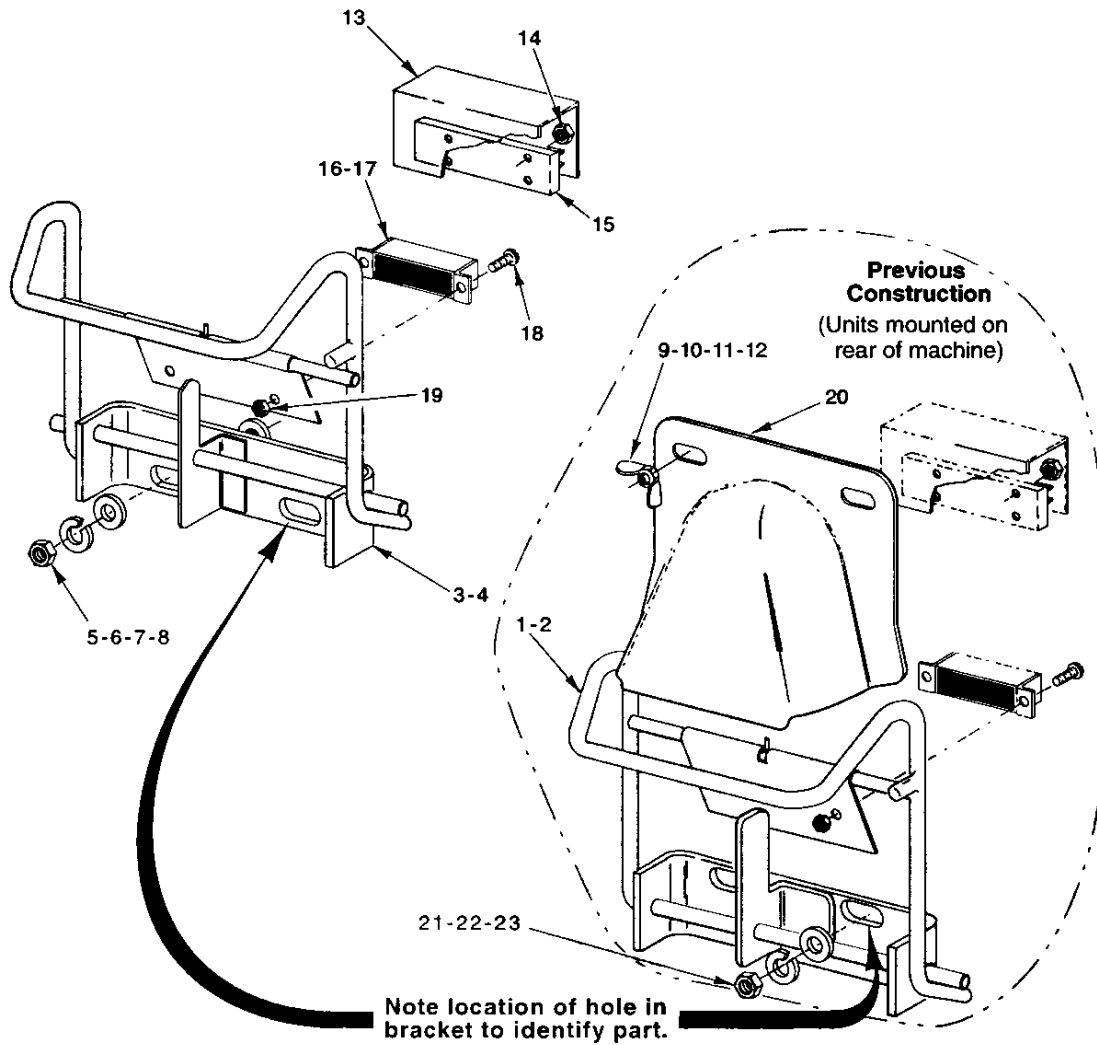
ILLUS.	PART NO.	NAME OF PART	AMT.
PL-55283			
1	00-122674	Float Assy.....	2
2	00-112467	Retainer - Float.....	2
3	00-328495	Switch & Probe Assy (Incl #1,2,5)(Must Order 2 Jumper Wires #328758).....	2
4	00-67500-72	"O"Ring.....	2
5	RR-010-13	Retaining Ring.....	2
6	00-274224	Box - Probe (R-L).....	1
7	00-274097	Box - Probe (L-R).....	1
8	00-112005	Gasket (Lid).....	1
9	00-289146-1	Lid & Gasket Assy (Incls Item 8).....	1
10	SD-012-20	Self-Tapping Screw 8-32 x 1/2 Phil Truss Hd, Type T.....	6
11	WS-010-40	Washer - Thrust.....	2
12	WL-014-31	Lockwasher 1/2 External Shakeproof (SST).....	2
13	NS-018-28	Jam Nut 1/2-20 Hex (SST).....	2
14	FE-024-58	Conn - Straight (Non-Metallic) "Sealtite" (3/4 Male Thd x 3/4 Flex Cnd).....	1
15	FE-024-66	Conn - 90 Deg (Non-Metallic) "Sealtite" (3/4 Male Thd x 3/4 Flex Cnd).....	1
16	FE-008-11	Gasket - Electrical.....	AR
17	FE-024-57	Conn - Straight (Non-Metallic) "Sealtite" (1/2 Male Thd x 1/2 Flex Cnd).....	2
18	FE-008-10	1/2 Gasket Assy.....	AR
19	FE-024-61	Conn 1/2 x 45 Deg (Non-Metallic) "Sealtite" (1/2 Male Thd x 1/2 Flex Cnd).....	2
20	FE-008-10	1/2 Gasket Assy.....	2
21	00-65890-85	Line - Splice.....	AR
22	PB-004-08	Plug, Button 7/8 (Heyco 2703).....	1



TRACK AND CRADLE

TRACK AND CRADLE

ILLUS. PL-51344	PART NO.	NAME OF PART	AMT.
1	00-436870-1	Rack Track (Rear, R-L; Front, L-R).....	1
2	00-436871-1	Rack Track (Rear, L-R; Front, R-L).....	1
4	SC-041-11	Cap Screw 5/16-18 x 3/4 Hex Hd (SST).....	4
5	NS-015-11	Nut 5/16-18 Hex (SST).....	8
6	WL-006-23	Lockwasher 5/16 Helical (SST).....	8
8	00-436931	Cradle.....	1
9	SC-041-31	Cap Screw 3/8-16 x 1 1/4 Hex Hd.....	4
10	WS-018-04	Washer (SST).....	4
11	00-436704-1	Dog (Front R-L) (Rear L-R).....	2
12	00-436704-2	Dog (Front L-R) (Rear R-L).....	2
13	00-436703-1	Dog (Front R-L) (Rear L-R) (Service for "Z" Bent Cradles Only).....	2
14	00-436703-2	Dog (Front L-R) (Rear R-L) (Service for "Z" Bent Cradles Only).....	2
15	NS-046-09	Stop Nut 3/8-16 Elastic.....	4
16	00-274559	Screw - Connecting.....	2
17	WS-029-74	Washer.....	8
18	WS-017-01	Washer 0.328 x 0.875 x 0.062 (SST).....	4
19	WL-006-23	Lockwasher 5/16 Helical (SST).....	4
20	NS-015-11	Nut 5/16-18 Hex (SST).....	4
21	00-271012	Baffle - Cradle Upper.....	AR
22	SC-041-10	Cap Screw 5/16-18 x 5/8 Hex Hd.....	AR
23	WL-006-23	Lockwasher 5/16 Helical (SST).....	AR
24	NS-015-11	Nut 5/16-18 Hex (SST).....	AR
25	SC-041-12	Cap Screw 5/16-18 x 7/8 Hex Hd.....	4
26	00-270977	Roller.....	2
27	WS-018-04	Washer (SST).....	2
28	00-473232	Slider - Small.....	2
29	SC-041-15	Cap Screw 5/16-18 x 1 1/4 Hex Hd.....	2
30	WL-006-23	Lockwasher 5/16 Helical (SST).....	2
31	NS-015-11	Nut 5/16-18 Hex (SST).....	2
32	00-270983	Spacer.....	4
33	WL-006-28	Lockwasher 3/8 Helical.....	4
34	00-437047	Deflector - Silverware.....	1
35	SC-022-39	Mach. Screw 1/4-20 x 5/8 Slotted Flat Hd. (SST).....	2
36	WS-003-47	Washer (SST).....	2
37	WL-006-17	Lockwasher 1/4 Helical (SST).....	2
38	NS-015-01	Nut 1/4-20 Hex (SST).....	2
	00-436971	Rack Track Assy. (Rear R-L) (Front L-R) (Incls. Items 1 & 28 thru 31).....	1
	00-436972	Rack Track Assy. (Rear L-R) (Front R-L) (Incls. Items 2 & 28 thru 31).....	1
	00-436930-00001	Cradle & Dog Assy. (Incls. Items 8 thru 12, 15, 32, & 33).....	AR

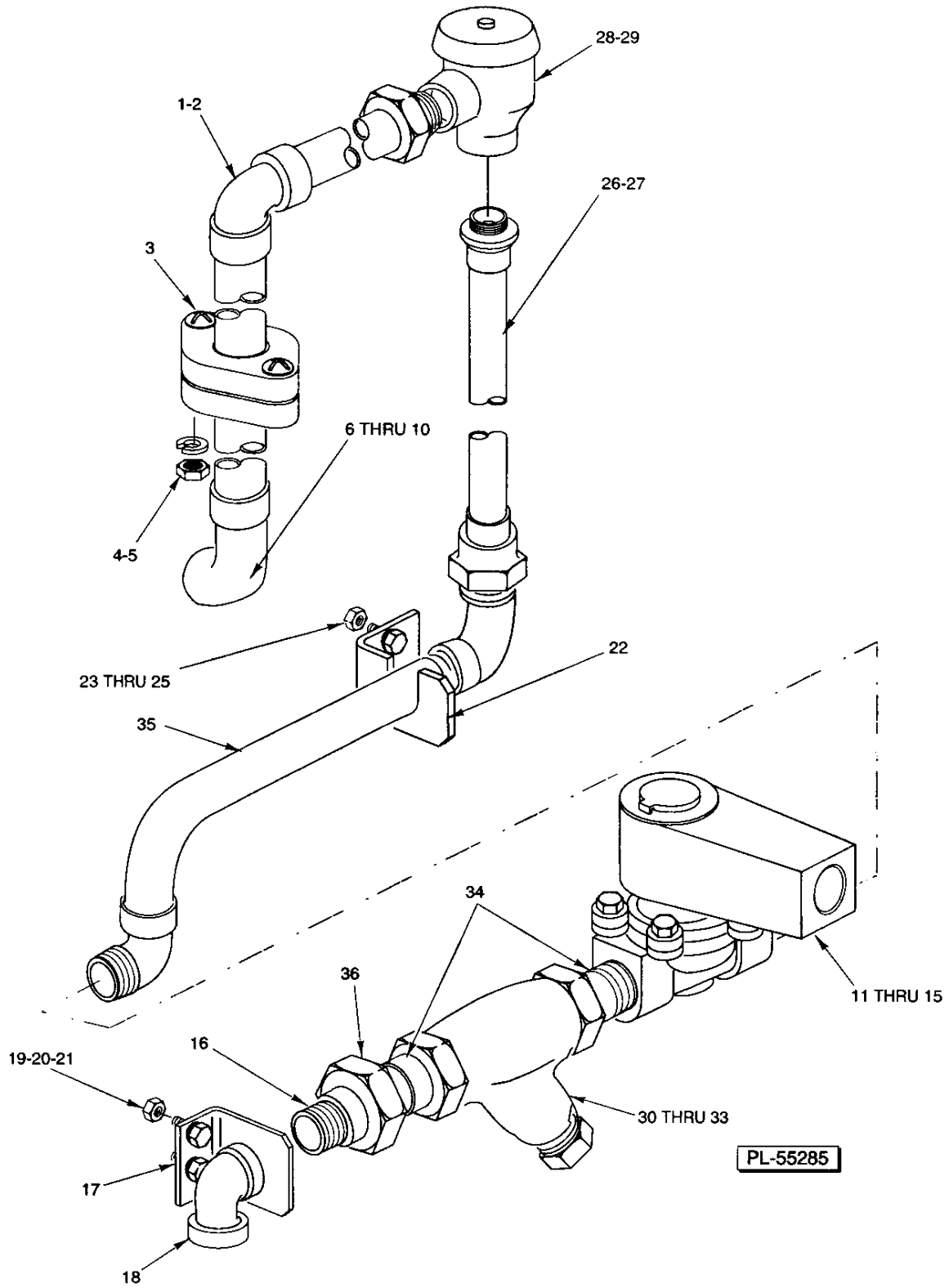


PL-55284

ACTUATOR MECHANISM

ACTUATOR MECHANISM

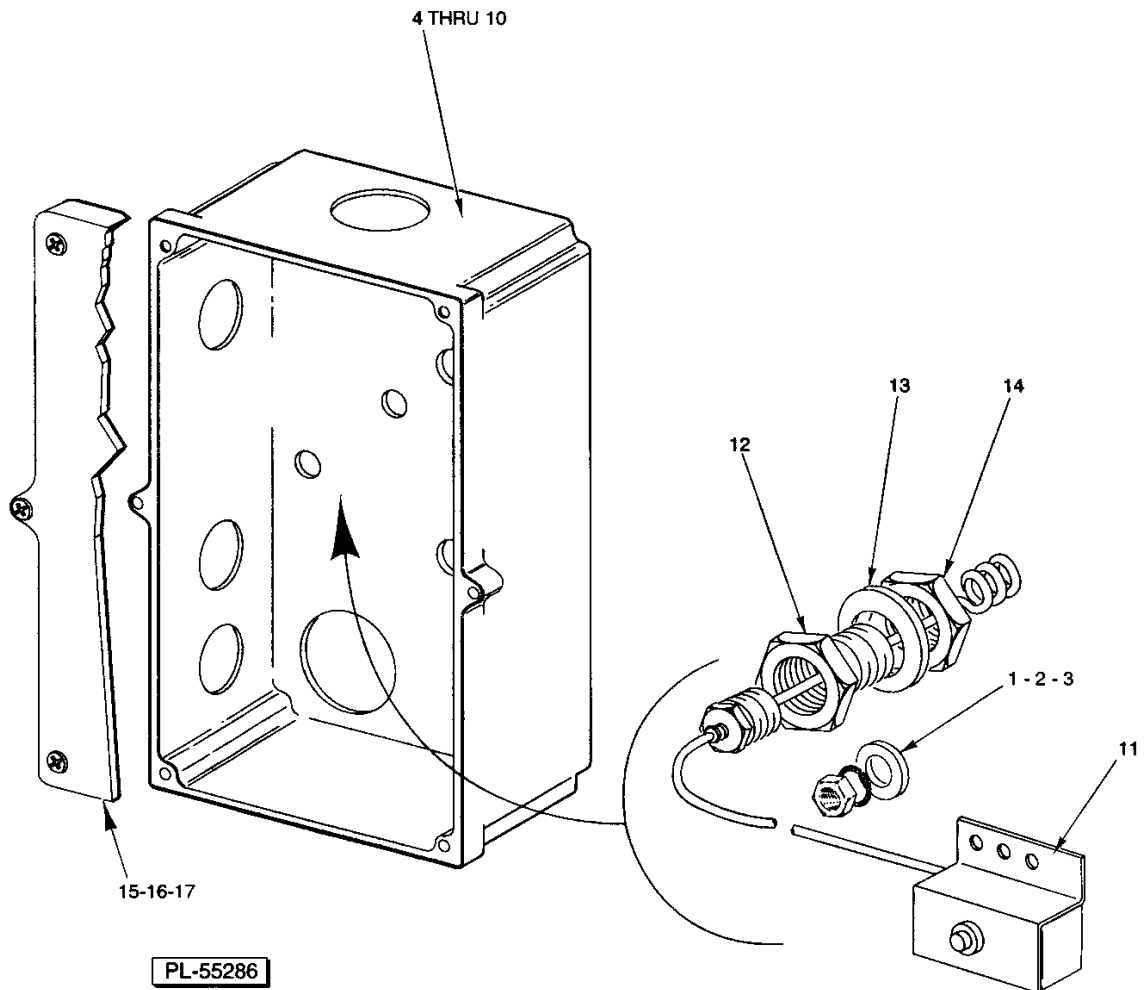
ILLUS.	PART NO.	NAME OF PART	AMT.
PL-55284			
1	00-435809	Actuator (Rear R-L).....	1
2	00-435808	Actuator (Rear L-R).....	1
3	00-436955	Actuator (Front R-L).....	1
4	00-436027	Actuator (Front L-R).....	1
5	WL-006-23	Lockwasher 5/16 Helical (SST).....	2
6	WS-017-08	Washer (0.328 x 0.625 x 0.062) (SST).....	2
7	WS-029-05	Washer 0.328 x 0.750 x 0.062 (SST).....	2
8	NS-015-11	Nut 5/16-18 Hex (SST).....	2
9	NS-029-01	Wing Nut 1/4-20.....	2
10	WS-006-17	Washer.....	2
11	WS-017-06	Washer (SST).....	2
12	SC-053-42	Mach. Screw 1/4-20 x 5/8 Slotted Truss Hd. (SST).....	AR
13	00-270996	Insulator - Switch.....	1
14	NS-031-50	Stop Nut 6-32 Hex (SST).....	2
15	00-892896	Kit - Service Reed Switch.....	1
16	00-290160	Magnet (Dot Toward Switch).....	1
17	00-290159	Retainer - Magnet.....	1
18	SC-127-26	Mach Screw 6-32 x 3/8 Rd Hd (SST).....	2
19	NS-031-50	Stop Nut 6-32 Hex (SST).....	2
20	00-813534	Shroud.....	1
21	WL-006-23	Lockwasher 5/16 Helical (SST).....	2
22	WS-017-08	Washer (0.328 x 0.625 x 0.062) (SST).....	2
23	NS-015-11	Nut 5/16-18 Hex (SST).....	1



PREWASH TEMPERATURE CONTROL PIPING

PREWASH TEMPERATURE CONTROL PIPING

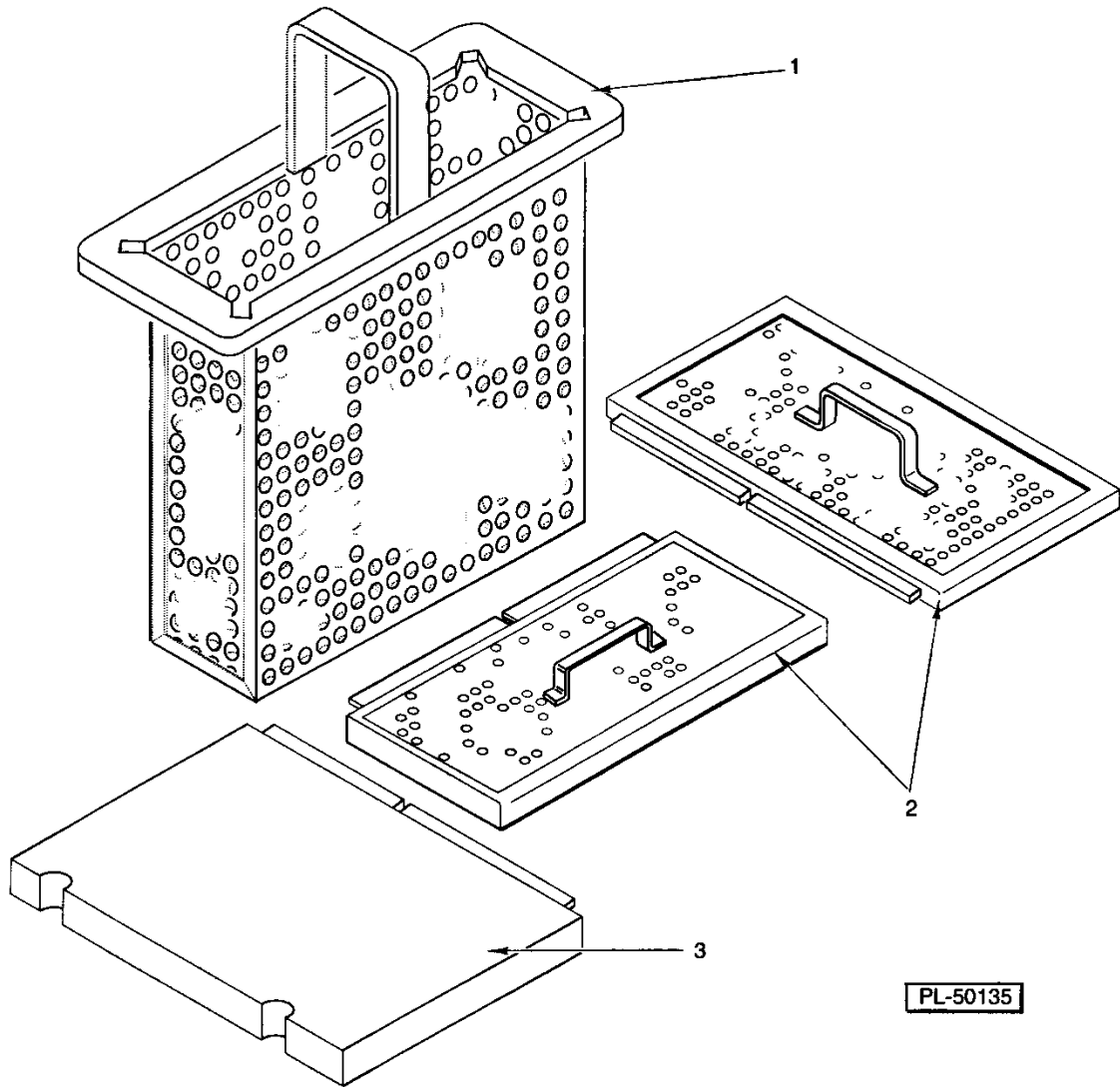
ILLUS.	PART NO.	NAME OF PART	AMT.
PL-55285			
1	00-274486	Piping - Upper Prewash.....	1
2	00-276407	Gasket - Rinse Pipe.....	1
3	SC-128-07	Mach Screw 5/16-18 x 1 1/4 Rd Hd (SST).....	2
4	WL-006-22	Lockwasher 5/16 Light.....	2
5	NS-015-11	Nut 5/16-18 Hex (SST).....	2
6	00-289971-1	Inside Fill Pipe Assy (L-R) (CRS86A & CRS110A).....	1
7	00-289971-2	Inside Fill Pipe Assy (R-L) (CRS86A & CRS110A).....	1
8	00-812779-1	Inside Fill Pipe Assy (L-R) (CRS66A/AW & CRS76A).....	1
9	00-812779-2	Inside Fill Pipe Assy (R-L) (CRS66A/AW & CRS76A).....	1
10	00-67500-13	"O"Ring.....	1
11	00-270329-2	Valve - Solenoid 240V (CRS66A/AW W/O Pilot Circuit)(Incls #8 & 11).....	1
12	00-270318-2	Coil - Solenoid Valve (240 V).....	1
13	00-270329-1	Valve - Solenoid 120 V (Incls Items 14 & 15).....	1
14	00-270318-1	Coil - Solenoid Valve (120 V).....	1
15	00-270336	Service Kit - Solenoid Valve.....	1
16	FP-041-55	Pipe 3/4 x 2 1/8 Brass.....	1
17	00-435797	Bracket - Piping.....	1
18	FP-015-23	Elbow - Pipe 3/4 x 90 Deg (Brass).....	1
19	SC-041-10	Cap Screw 5/16-18 x 5/8 Hex Hd.....	2
20	WL-006-22	Lockwasher 5/16 Light.....	2
21	NS-015-11	Nut 5/16-18 Hex (SST).....	2
22	00-274481-1	Bracket - Piping (R-L).....	1
23	SC-041-10	Cap Screw 5/16-18 x 5/8 Hex Hd.....	2
24	WL-006-22	Lockwasher 5/16 Light.....	2
25	NS-015-11	Nut 5/16-18 Hex (SST).....	2
26	00-292911-3	Piping (43 3/8).....	1
27	00-292911-4	Piping (49 3/8).....	1
28	00-292909-2	Breaker - Vacuum 1/2 (Incls Item 29).....	1
29	00-292910	Vacuum Breaker Float & Seal Assy.....	1
30	00-186922	Strainer - Line 3/4 Brass (Incls Items 31, 32, & 33).....	1
31	00-186923	Plug - Branch.....	1
32	00-186924	Gasket - Branch Plug.....	1
33	00-186925	Screen - Line Strainer.....	1
34	FP-41-50	Pipe 3/4 x 1 3/8 TBE (Brass).....	2
35	00-274484	Piping - Lower.....	1
36	FP-022-18	Union - Pipe 3/4 Straight Female (Brass).....	1



PREWASH TEMPERATURE CONTROL - ELECTRICAL

PREWASH TEMPERATURE CONTROL - ELECTRICAL

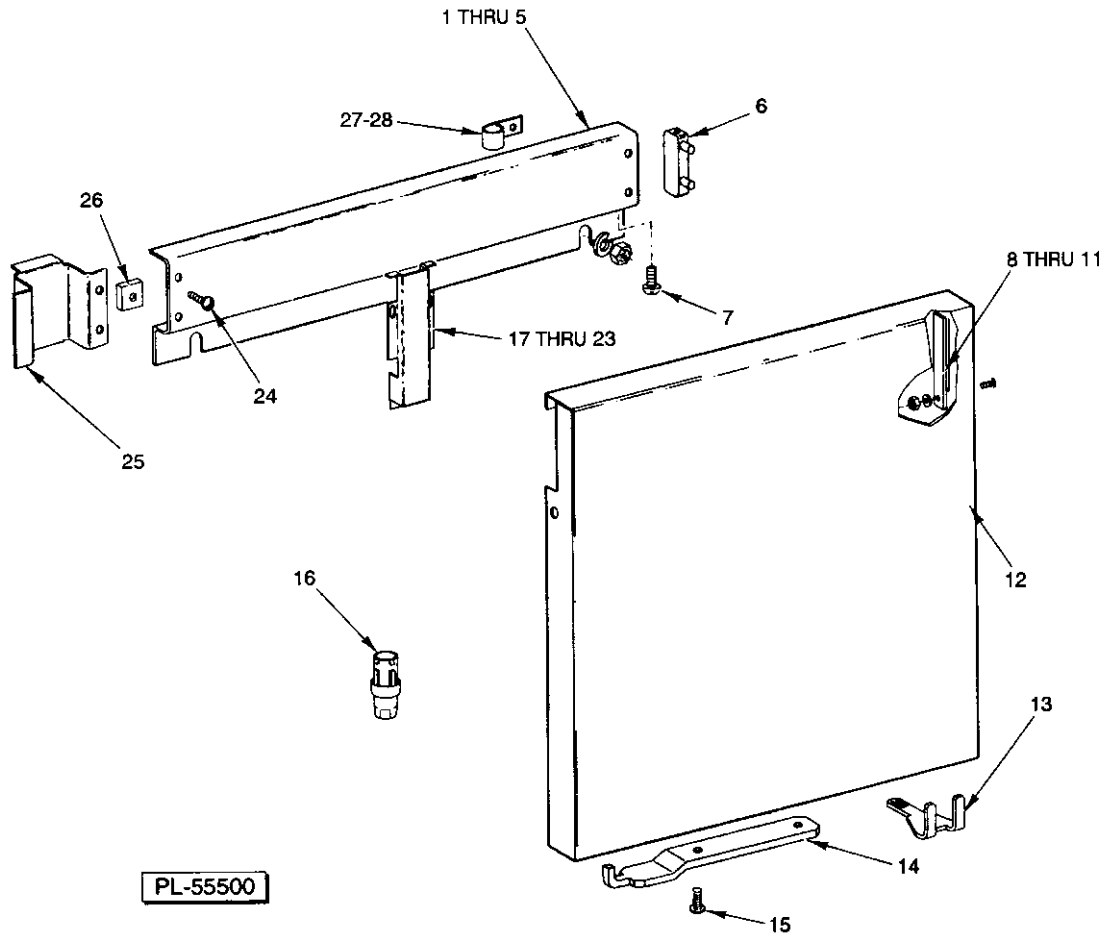
ILLUS.	PART NO.	NAME OF PART	AMT.
PL-55286			
1	NS-011-18	Mach Nut 10-24 Hex (SST).....	2
2	WL-006-07	Lockwasher #10 Helical (SST).....	2
3	WS-019-06	Washer.....	2
4	00-274253	Box - Float & Probe (R-L) (Previous Construction).....	1
5	00-274254	Box - Float & Probe (L-R) (Previous Construction).....	1
6	00-749116	Box - Float & Probe (R-L).....	1
7	00-749115	Box - Float & Probe (L-R).....	1
8	FE-007-03	Connector - 90 Deg "Sealtite" (1/2 Male Thd x 3/8 Flex Cnd).....	1
9	FE-007-01	Connector - Straight "Sealtite" (1/2 Male Thd x 3/8 Flex Cnd).....	1
10	FE-008-10	1/2 Gasket Assy.....	1
11	00-294681-021-1	Thermostat - Tank Heat.....	1
12	00-079531	Adapter - Tank.....	1
13	WS-012-40	Washer (SST).....	1
14	FP-053-05	Pipe Locknut 1/2 NPSL (SST).....	1
15	00-289146-1	Lid & Gasket Assy (Incls Item 16).....	1
16	00-112005	Gasket (Lid).....	1
17	SD-012-20	Self-Tapping Screw 8-32 x 1/2 Phil Truss Hd, Type T.....	6



BUCKET AND STRAINER PANS

BUCKET AND STRAINER PANS

ILLUS.	PART NO.	NAME OF PART	AMT.
PL-50135			
1	00-271878	Bucket - Strainer.....	1
2	00-271880	Strainer.....	2
3	00-274143	Cover - Overflow.....	1



MISCELLANEOUS

MISCELLANEOUS

ILLUS.	PART NO.	NAME OF PART	AMT.
PL-55500			
*1	00-274123-1	Wireway - Horizontal (Front R-L) or (Rear L-R, Prior Construction).....	1
*2	00-274123-2	Wireway - Horizontal (Front L-R) or (Rear R-L, Prior Construction).....	1
3	WS-017-06	Washer (SST).....	AR
4	NS-015-01	Nut 1/4-20 Hex (SST).....	AR
5	NS-015-01	Nut 1/4-20 Hex (SST).....	AR
6	00-271057	NLA - Obsolete--Cap - Wireway.....	AR
7	SD-007-38	Self-Tapping Screw 8-18 x 1/4 Phil. Bndg. Hd., Type B.....	AR
8	00-436888	Cover - Panel Notch.....	AR
9	WS-019-06	Washer.....	AR
10	NS-031-16	Stop Nut 10-24 Hex (SST).....	AR
11	SC-053-05	Mach Screw 10-24 x 3/8 Truss Hd, Slotted.....	AR
12	00-436831-1	Panel - Front Trim.....	1
13	00-271061	Support.....	1
14	00-289771	Retainer - Panel.....	1
15	SC-053-02	Mach Screw 10-24 x 1/2 Truss Hd (SST).....	2
16	00-288946-2	Foot - Adjustable (1 1/2 to 2 3/4).....	2
17	00-271055	Wireway - Vertical.....	AR
18	SC-021-22	Mach Screw 10-24 x 3/8 Rd Hd (SST).....	AR
19	WL-006-07	Lockwasher #10 Helical (SST).....	AR
20	WS-017-06	Washer (SST).....	AR
21	WL-006-17	Lockwasher 1/4 Helical (SST).....	AR
22	NS-015-01	Nut 1/4-20 Hex (SST).....	AR
23	WS-019-19	Washer.....	AR
24	SC-021-03	Mach Screw 4-40 x 3/8 Rd Hd (SST).....	2
25	00-274252	Wire - Raceway.....	1
26	00-072937	Speed Nut 4-40.....	2
27	00-294677-3	Clamp - Wire (3/4 ID).....	2
28	NS-047-94	Lock Nut 3/16 Stud Special.....	2

* Front or rear option is referring to the position of the rack start actuator.

