



CATALOG OF REPLACEMENT PARTS



SLICERS (INCLUDES MOTOR PARTS)

1812 ML-104550

1912 ML-104552

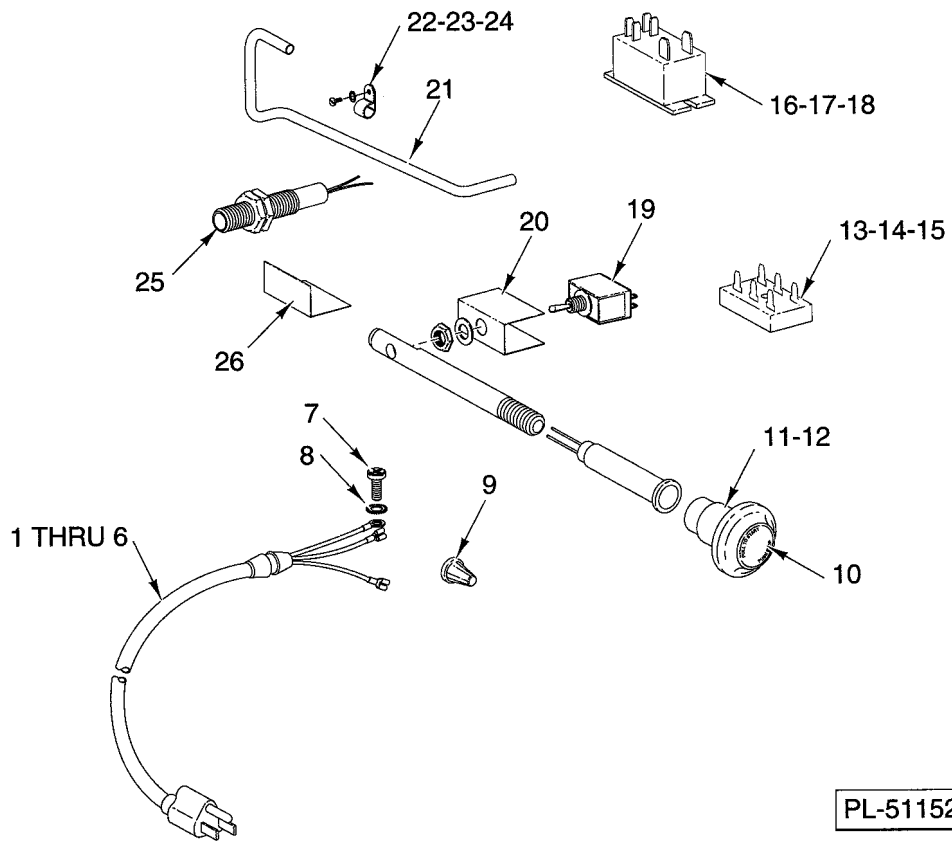
Prior ML'S Covered in this Manual

ML-104275

ML-104377

Table of Contents

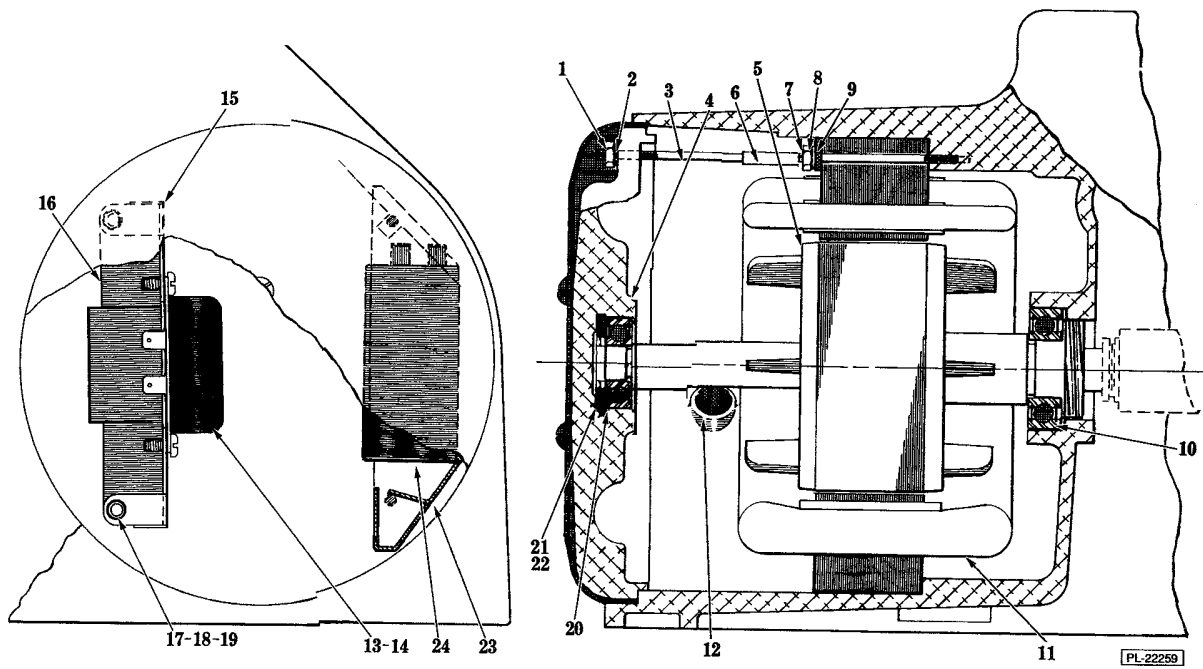
5	ELECTRICAL UNIT
7	MOTOR PARTS
9	ACTUATING MECHANISM
11	LEVER TRAY UNIT
13	SIDE ROD & BEARING CARRIER UNIT
15	1812 BASE UNIT
17	1912 BASE UNIT
19	KNIFE UNIT (ML-104377 & ML-104275)
21	KNIFE UNIT (ML-104550 & ML-104552)
23	KNIFE SHARPENER UNIT (ML-104377 & ML-104275)
25	KNIFE SHARPENER UNIT (ML-104550 & ML-104552)
27	1812 CARRIAGE TRAY UNIT
29	1912 CARRIAGE TRAY UNIT
31	1912 GEAR CASE UNIT
35	GAUGE PLATE & INDEXING MECH.



ELECTRICAL UNIT

ELECTRICAL UNIT

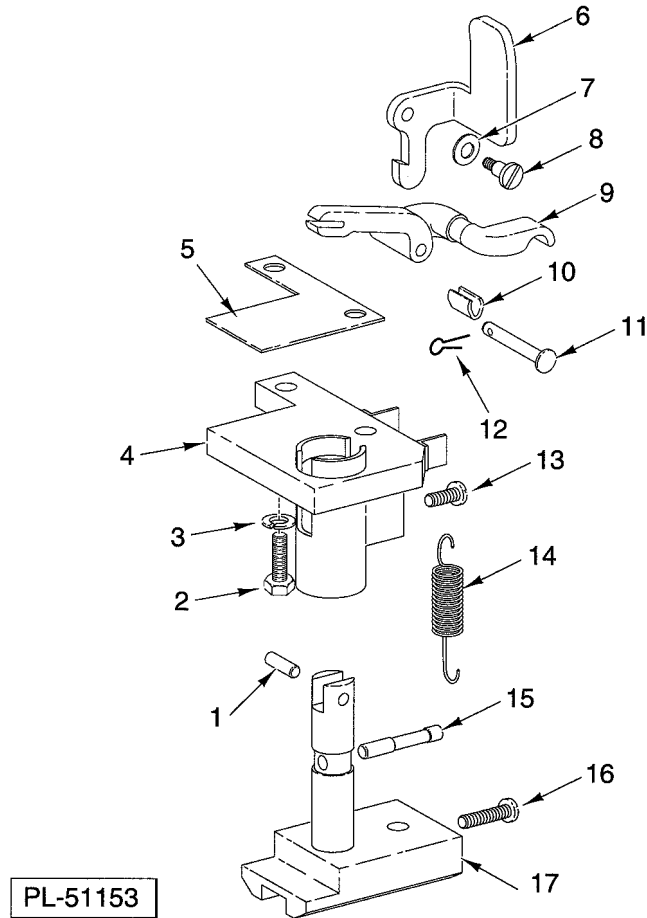
ILLUS.	PART NO.	NAME OF PART	AMT.
PL-51152			
1	123856-1	Cord & Plug Assy.(Under 150 V.).....	1
2	123856-2	Cord & Plug Assy. (200 - 250 V.).....	1
3	123858	Cord Assy.(I.E.C.).....	1
4	RR-8-13	Retaining Ring (Use with items 1 & 2).....	1
5	WS-5-36	Washer (Use with item 3).....	2
6	FE-6-32	Strain Relief (Use with item 3).....	2
7	SD-024-13	Self-Tapping Screw 8-32 x 3/8 Pan Hd., Type TT.....	1
8	WL-10-1	Lockwasher 8 External Shakeproof.....	1
9	FE-6-29	Wire Nut (14-22 Ga.).....	3
	76902	Disc - Insert.....	1
11	438294-1	Disc & Lighted Knob Assy. (Under 150 V.)(Incls.item 10).....	1
12	438294-2	Disc & Lighted Knob Assy. (200 - 250 V.)(Incls.item 10).....	1
13	SD-37-95	Self-Tapping Screw 10-24 x 1 Phil. Pan Hd., Type TT (Auto-Shut-Off Only).....	1
14	87714-39-3	Timer - Relay (Under 150 V.) (Auto-Shut-Off Only).....	1
15	87714-39-4	Timer - Relay (200 - 250 V.) (Auto-Shut-Off Only).....	1
16	SD-12-34	NLA - Obsolete--Self-Tapping Screw 8-32 x 5/16 Pan Hd., Type T.....	2
17	87714-42-1	Relay (2 Pole)(Under 150 V.).....	1
18	87714-42-3	Relay (2 Pole) (220 - 240 V.).....	1
19	00-875567	Switch Assy. Switch & Label Assy. (With Auto Shut-Off).....	1
20	437657	Switch - Mylar.....	1
21	437635	Conduit (Copper Tubing).....	1
22	438015-1	Clamp (Aluminum).....	1
23	WL-10-1	Lockwasher 8 External Shakeproof.....	1
24	SD-024-13	Self-Tapping Screw 8-32 x 3/8 Pan Hd., Type TT.....	1
25	87711-243-2	Sensor (Home Position And/Or Auto-Shut-Off).....	AR
26	438130	Insulator - Switch.....	1



MOTOR PARTS

MOTOR PARTS

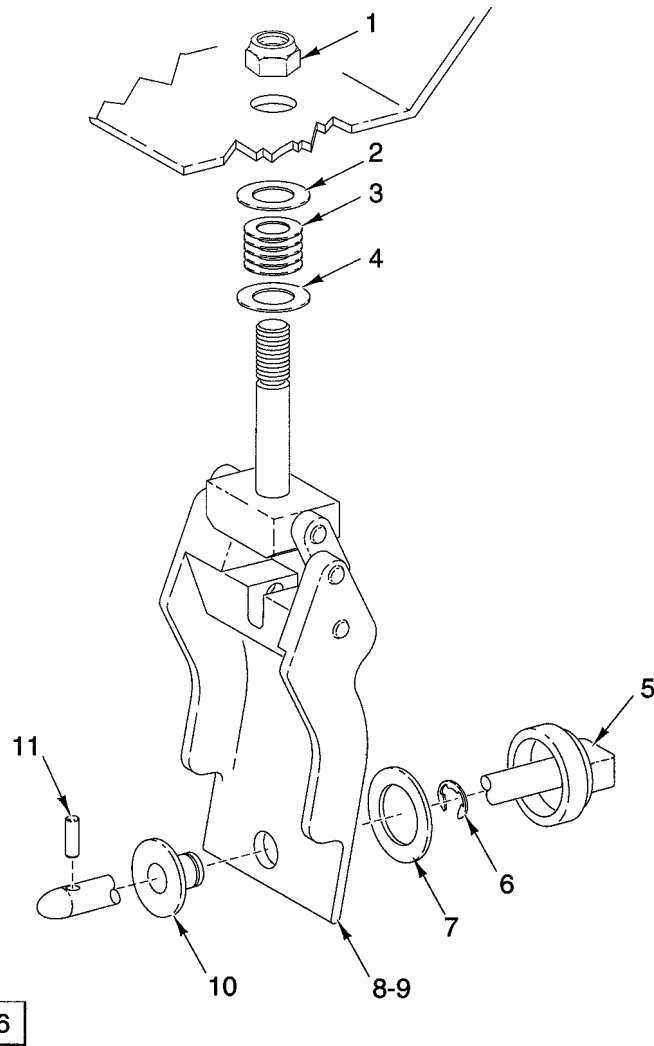
ILLUS.	PART NO.	NAME OF PART	AMT.
PL-22259A			
1	NS-9-12	Mach. Nut 8-32 Hex.....	4
2	WL-7-6	Lockwasher 8 External Shakeproof.....	4
3	120048	Stud - Stator.....	4
4	110293	Bracket - Bearing.....	1
5	274761	Rotor.....	1
6	103661-17	Tubing - Insulator 3/4 Lg.....	2
7	NS-9-12	Mach. Nut 8-32 Hex.....	4
8	WS-2-15	Washer.....	4
9	293454	Retainer - Stator.....	4
10	BB-15-41	Ball Bearing - N.D. #Z993LO4.....	1
11	271639	Stator Assy. (All Voltages).....	1
12	70418	Bushing - Motor Leads.....	1
13	271612-2	Switch - Electronic Start (50/60 Hz.).....	1
14	SD-024-13	Self-Tapping Screw 8-32 x 3/8 Pan Hd., Type TT.....	2
15	271613	Plate - Motor Switch.....	1
16	271614	Insulator - Motor Switch.....	1
17	103661-15	Tubing - Insulator 1 1/2 Lg.....	1
18	WS-2-15	Washer.....	2
19	NS-9-12	Mach. Nut 8-32 Hex.....	2
20	BB-018-12	Ball Bearing - Fafnir #P201KDD.....	1
21	21046-2	Washer - Bumper (1/32 Thk.).....	2
22	SL-2-2	Spring - Loading - N.D. #S-12.....	1
23	278280	Retainer - Capacitor.....	1
24	70487-21	Capacitor (50/60 Hz.).....	1
	437626	Shaft - Indexing.....	AR



ACTUATING MECHANISM

ACTUATING MECHANISM

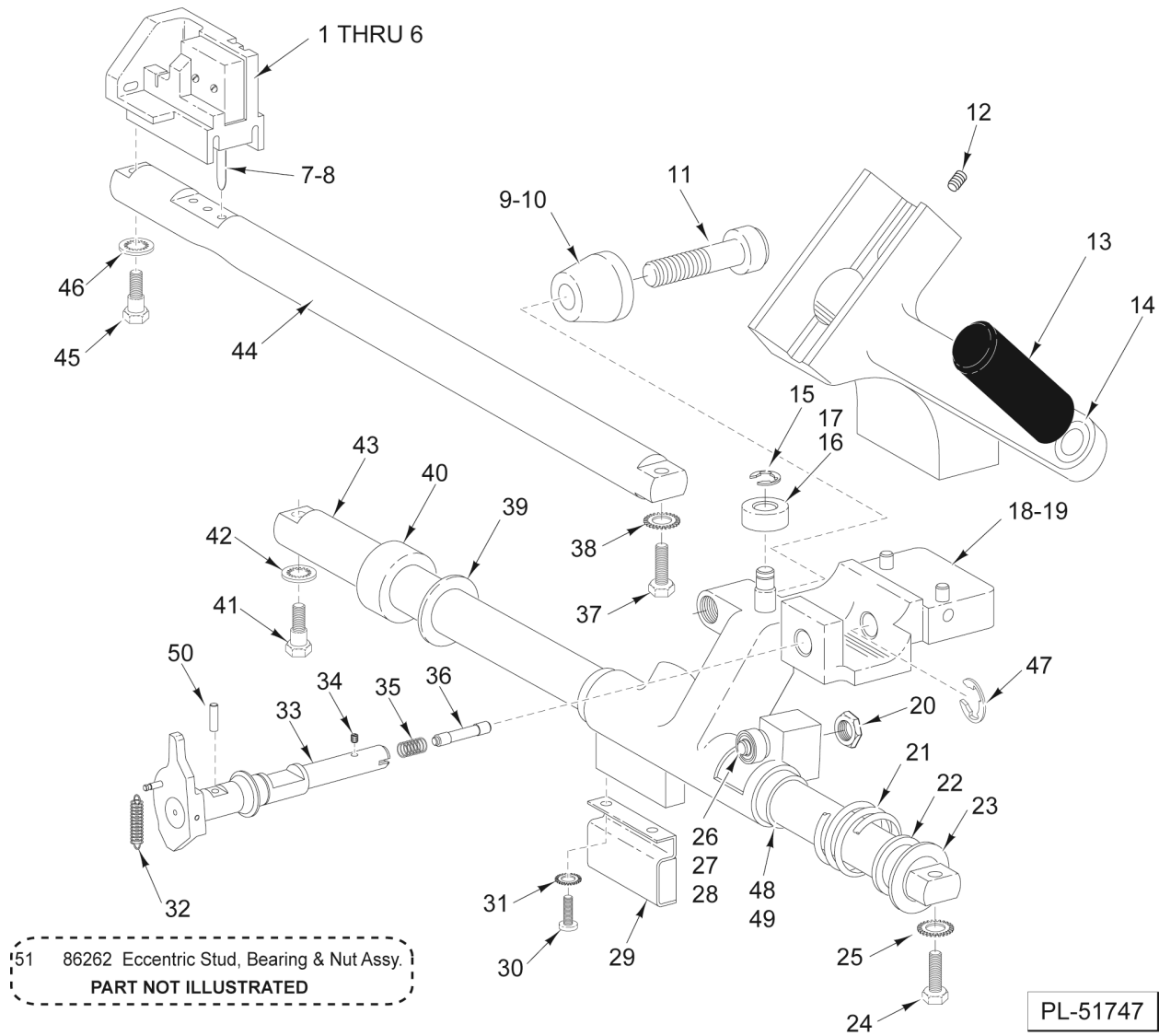
ILLUS.	PART NO.	NAME OF PART	AMT.
PL-51153			
1	11800-137	Dowel.....	1
2	SC-62-81	Cap Screw 5/16-18 x 7/8 Hex Hd.....	2
3	WL-6-22	Lockwasher 5/16 Light.....	2
4	83424	Base and Brg. Assy.....	1
5	437643	Plate - Stop (1812 Only).....	1
6	437638	Clip - Locking.....	1
7	WS-2-43	Washer.....	1
8	437786	Screw - Shoulder.....	1
9	437785	Lever - Actuating Mech.....	1
10	70245	Clip - Lever Wear.....	1
11	70297	Pin - Hinge.....	1
12	PC-3-23	Cotter Pin 1/16 X 1/2.....	1
13	SC-60-21	Mach. Screw 10-24 x 1/4 Rd. Hd.....	1
14	70399	Spring - Actuating Mech.....	1
15	118161	Dowel - Yoke & Shaft Locating.....	1
16	SC-60-20	Mach. Screw 10-24 x 1 Rd. Hd.....	1
17	70266	Yoke & Shaft Assy.....	1



LEVER TRAY UNIT

LEVER TRAY UNIT

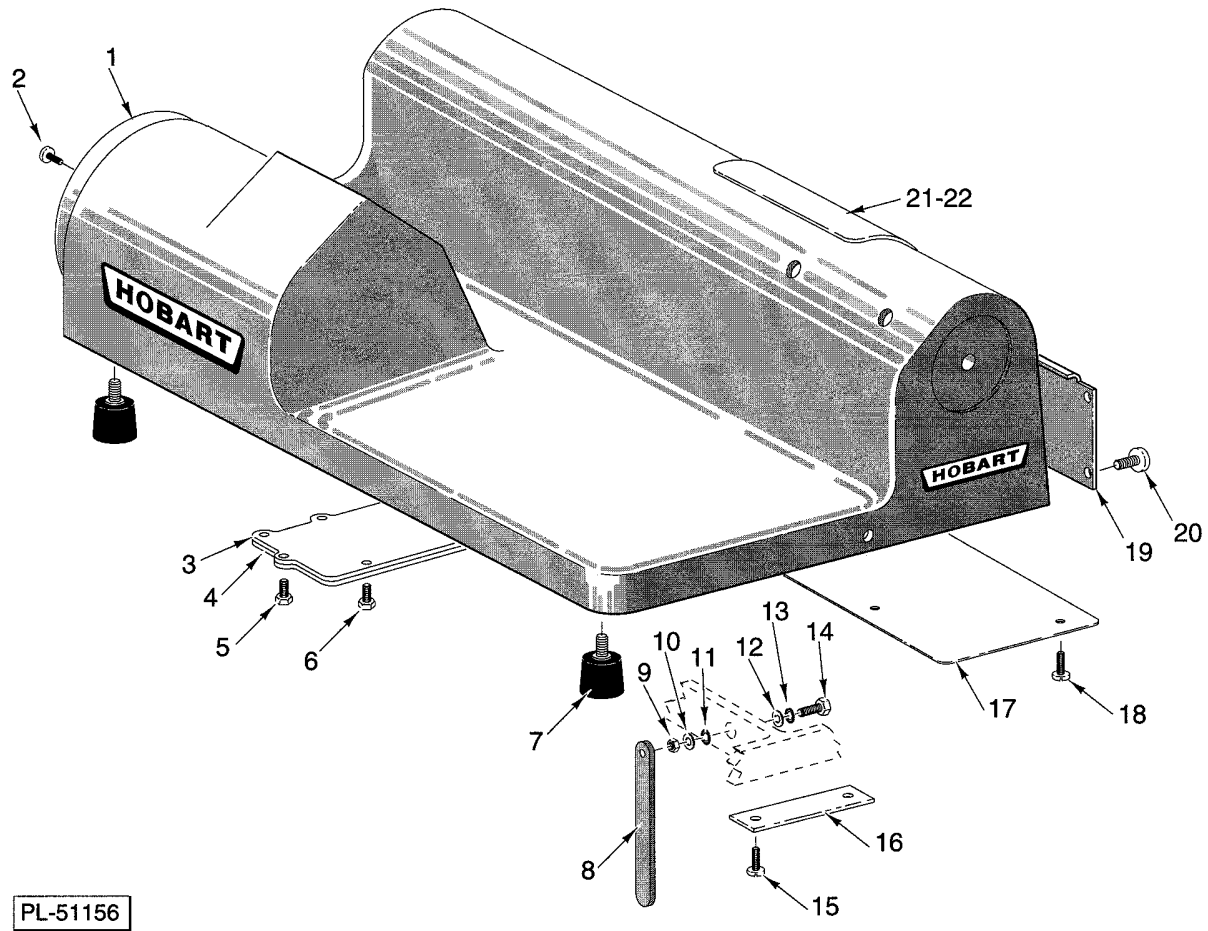
ILLUS.	PART NO.	NAME OF PART	AMT.
PL-51746			
1	NS-36-12	Stop Nut 3/8-24 "Elastic".....	1
2	WS-21-1	Washer.....	AR
3	437654	Spring - Belleville.....	4
4	WS-21-1	Washer.....	AR
5	437873	Knob & Shaft.....	1
6	RR-11-3	Retaining Ring.....	1
7	438138	Washer - Knob Interlock.....	1
8	438296	NLA - Obsolete--Lever - Tray Assy.(Use with Carriage Trays).....	1
9	438296-2	Lever - Tray Assy.(For use with Food Chutes).....	1
10	437653	Bushing - Knob.....	1
11	PG-11-17	Groov Pin 1/8 x 9/16 (SST).....	1



SIDE ROD & BEARING CARRIER UNIT

SIDE ROD & BEARING CARRIER UNIT

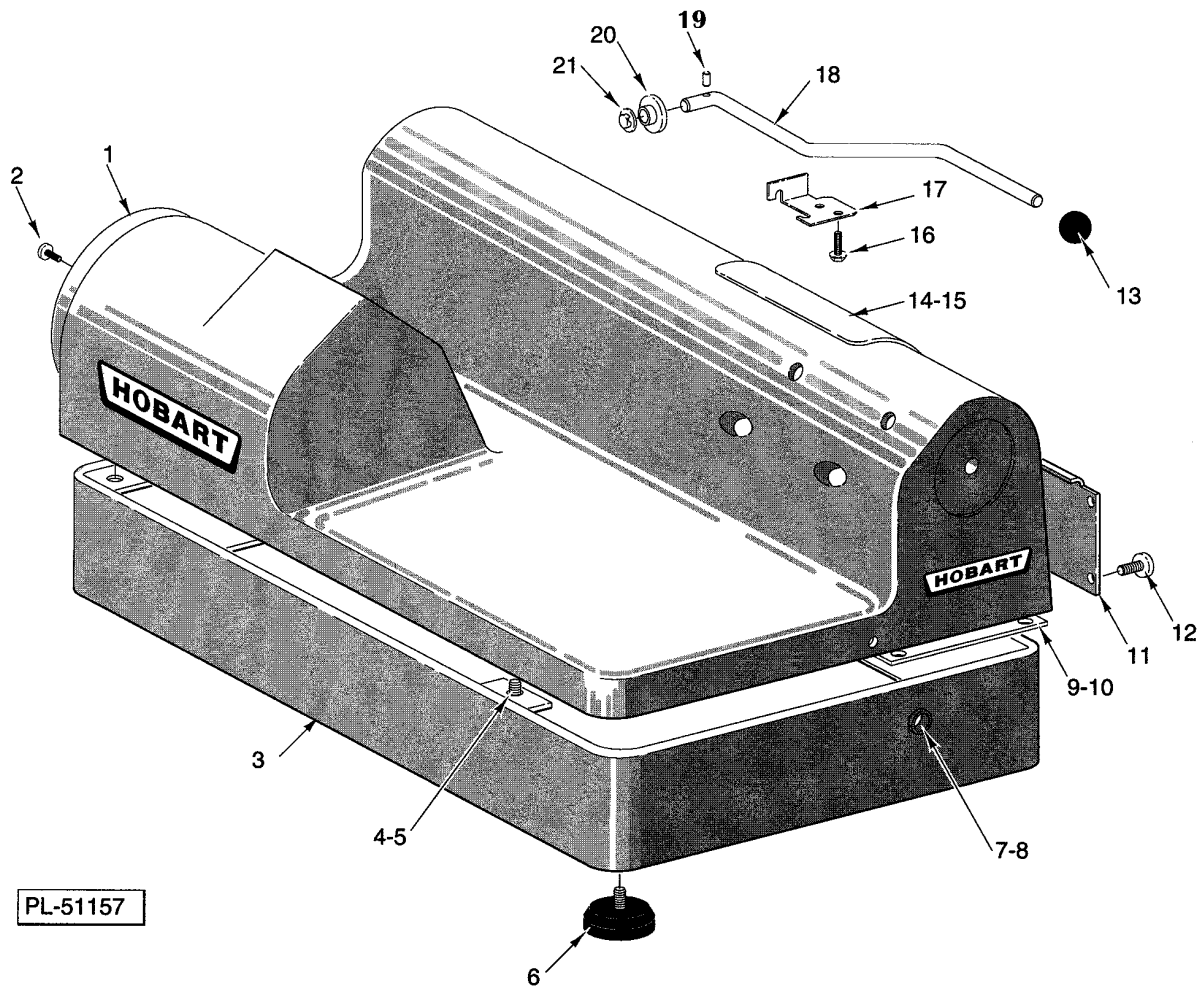
ILLUS.	PART NO.	NAME OF PART	AMT.
PL-51747A			
1	87711-242-1	Switch - Lockout.....	1
2	437632	Bracket - Switch Mounting.....	1
3	SC-111-4	Mach. Screw 2-56 x 5/8 Rd. Hd. (Mounts switch to bracket).....	2
4	NS-46-7	Mach. Nut 2-56 (Mounts switch to bracket).....	2
5	WL-8-48	Lockwasher 2 Int."Shakeproof"(Mounts switch bracket to slide rod).....	2
6	SC-93-4	Mach Screw 8-32 x 1/2 Phil. Pan Hd. (Mounts switch bracket to slide rod).....	1
7	437637	Spring - Compression.....	1
8	437634	Plunger.....	1
9	10928-2	Nut - Special.....	1
10	274899	Roller - Horizontal.....	1
11	274898	Stud - Horizontal Roller.....	1
12	SC-118-52	Set Screw 1/4-20 x 1/2 Hdls. Cup Pt.....	1
13	70194	Handle - Gauge Plate.....	1
14	88749-3	Carriage Support & Plug Assy.(Incls.items 12 & 13).....	1
15	RR-9-15	Retaining Ring.....	1
16	274897	Roller - Vertical.....	1
17	BB-4-11	Ball Bearing - Hoover #626ZZ.....	1
18	437877	NLA - Obsolete--Carriage Bearing Assy.(Incls.items 20, 26, 27, 28 & 48).....	1
19	274895	Wick - Carriage Bearing.....	1
20	10928-2	Nut - Special.....	1
21	274903	Spring - Carriage Bearing.....	2
22	435707	Washer - Bumper (Rubber).....	1
23	435708	Washer - Backup (SST).....	1
24	SC-41-15	Cap Screw 5/16-18 x 1 1/4 Hex Hd.....	1
25	WL-7-20	Lockwasher 5/16 Ext. "Shakeproof".....	1
26	109870	Stud - Eccentric.....	1
27	BB-4-11	Ball Bearing - Hoover #626ZZ.....	1
28	RR-9-15	Retaining Ring.....	1
29	438701	Magnet Housing Assy.....	1
30	WL-13-8	Lockwasher 8 Internal Shakeproof.....	2
31	SC-25-26	Mach. Screw 8-32 x 3/8 Bdg. Hd.(Mounts switch to bracket).....	2
32	437642	Spring - Extension.....	1
33	438295	Shaft - Lock Assy.....	1
34	SC-116-81	Set Screw 8-32 X 3/16 Soc. Hdls. Cup Pt.....	1
35	437641	Spring - Compression.....	1
36	437640	Plunger - Shaft.....	1
37	SC-41-15	Cap Screw 5/16-18 x 1 1/4 Hex Hd.....	1
38	WL-7-20	Lockwasher 5/16 Ext. "Shakeproof".....	1
39	435707	Washer - Bumper (Rubber).....	1
40	437630	Spacer.....	1
41	437778	Screw - Shoulder.....	1
42	WL-8-27	Lockwasher 3/8 Internal Shakeproof.....	1
43	437837	Slide Rod - Lower.....	1
44	437629	Slide Rod - Upper.....	1
45	437778	Screw - Shoulder.....	1
46	WL-8-27	Lockwasher 3/8 Internal Shakeproof.....	1
47	RR-11-94	Retaining Ring.....	1
48	437610	Bushing - Nylon (Incls.item 49).....	2
49	437612	Liner - Bushing.....	2
50	PG-011-18	Pin - Grooved 1/8.....	1
51	86262	Eccentric Stud, Bearing & Nut Assy.(Incls.items 20, 26, 27 & 28).....	1



1812 BASE UNIT

1812 BASE UNIT

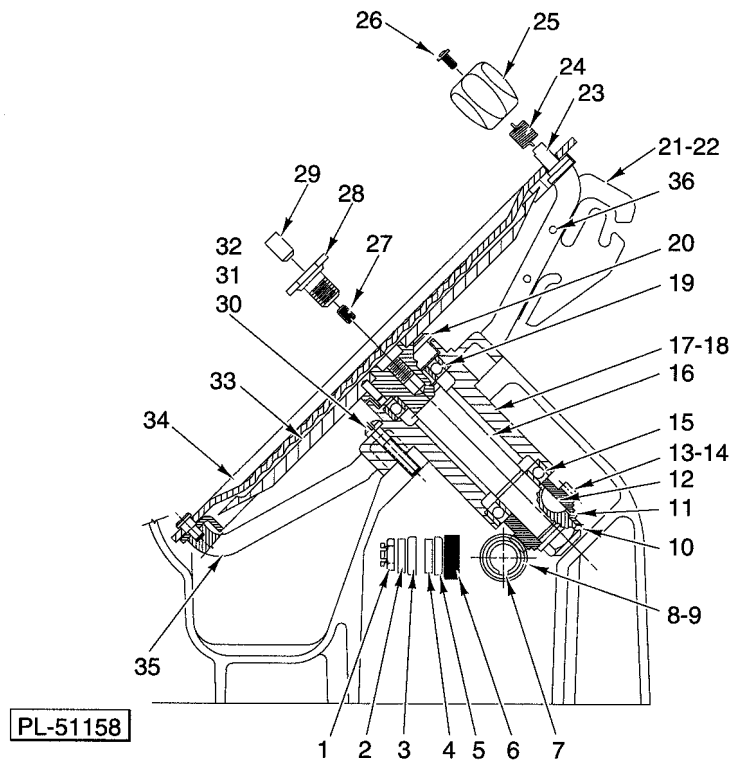
ILLUS.	PART NO.	NAME OF PART	AMT.
PL-51156			
1	70238	Cover - Bearing Bracket.....	1
2	SD-24-19	Self-Tapping Screw 8-32 x 3/8 Truss Hd., Type TT.....	2
3	117710	Gasket - Gear Case Cover.....	1
4	116670	Cover - Gear Case.....	1
5	SD-24-4	Self-Tapping Screw 10-24 x 5/8 Hex Hd., Type TT.....	5
6	SD-24-5	Self-Tapping Screw 5/16-18 x 5/8 Hex Hd., Type TT.....	2
7	18682-1	Bumper.....	4
8	437865	Leg - Cleaning.....	1
9	NS-15-1	Full Nut 1/4-20 Hex.....	2
10	WS-17-21	Washer.....	1
11	WL-14-10	Lockwasher 1/4 Ext. "Shakeproof".....	1
12	WS-17-21	Washer.....	1
13	WL-14-10	Lockwasher 1/4 Ext. "Shakeproof".....	1
14	SC-41-2	Cap Screw 1/4-20 x 1 Hex Hd.....	1
15	SD-024-13	Self-Tapping Screw 8-32 x 3/8 Pan Hd., Type TT.....	2
16	437866	Retainer - Leg.....	1
17	437655	Cover - Electronics.....	1
18	SD-024-13	Self-Tapping Screw 8-32 x 3/8 Pan Hd., Type TT.....	7
19	274902	Panel - Side.....	1
20	SC-10-32	Mach. Screw 8-32 x 3/8 Truss Hd.....	4
21	438169	Access Cover - Slide Rods.....	1
22	SD-37-77	Self-Tapping Screw 6-32 x 3/8 Truss Hd., Type T.....	4



1912 BASE UNIT

1912 BASE UNIT

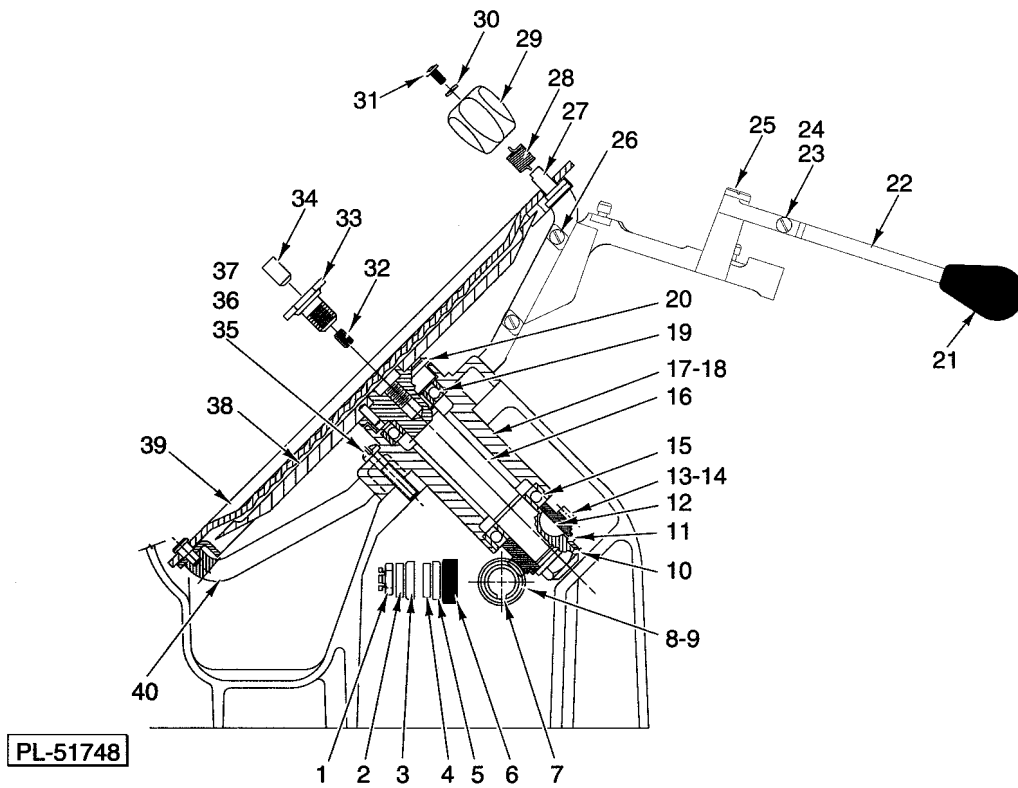
ILLUS.	PART NO.	NAME OF PART	AMT.
PL-51157			
1	70238	Cover - Bearing Bracket.....	1
2	SD-24-19	Self-Tapping Screw 8-32 x 3/8 Truss Hd., Type TT.....	2
3	290038-1	NLA - Obsolete--Sub-Base & Bushing Assy. (Incls. items 6, 26 & 27).....	1
4	SC-62-81	Cap Screw 5/16-18 x 7/8 Hex Hd.....	4
5	WL-3-44	Lockwasher 5/16 Medium.....	4
6	83681	Foot.....	4
7	290063	Bushing - Shifter Sleeve.....	1
8	RR-10-13	Retaining Ring.....	1
9	437655	Cover - Electronics.....	1
10	SD-024-13	Self-Tapping Screw 8-32 x 3/8 Pan Hd., Type TT.....	7
11	274902	Panel - Side.....	1
12	SC-10-32	Mach. Screw 8-32 x 3/8 Truss Hd.....	4
13	106503	Knob - Lifting Lever.....	1
14	438169	Access Cover - Slide Rods.....	1
15	SD-37-77	Self-Tapping Screw 6-32 x 3/8 Truss Hd., Type T.....	4
16	SD-9-16	Self-Tapping Screw 1/4-20 x 3/4 Hex Hd., Type F.....	2
17	121920	NLA - Obsolete--Retainer - Lifting Lever.....	1
18	106504	Lever - Lifting.....	1
19	RR-9-10	Retaining Ring.....	1
20	108001	Foot - Lifting Lever.....	1
21	106502	Push Nut.....	1
	106505	NLA - Obsolete--Lever & Foot Assy. (Incls. items 19, 22, 23, 24 & 25).....	1



**KNIFE UNIT
(ML-104377 & ML-104275)**

**KNIFE UNIT
(ML-104377 & ML-104275)**

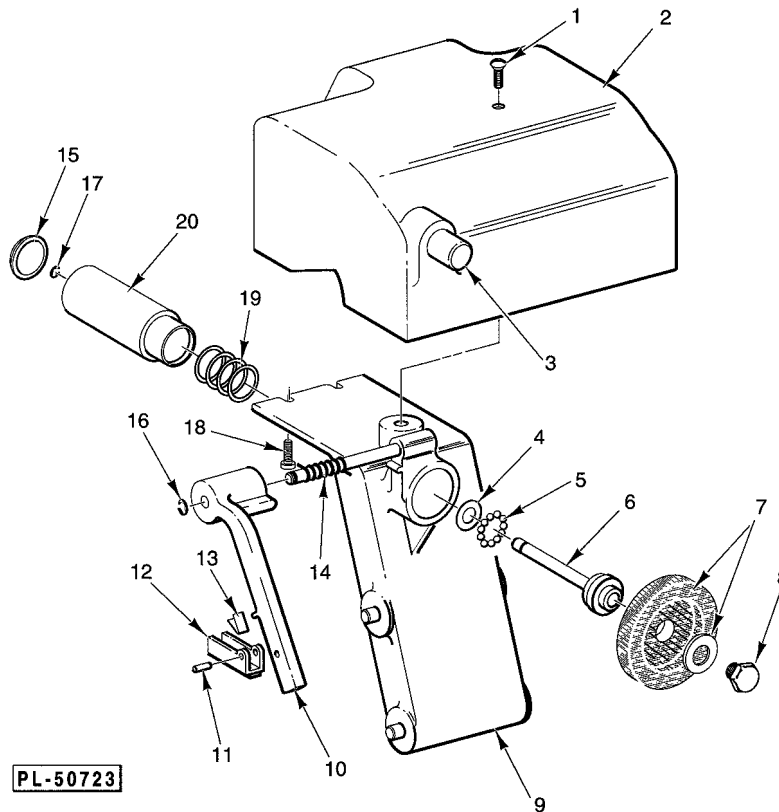
ILLUS. PL-51158	PART NO.	NAME OF PART	AMT.
1	NS-32-23	Lock Nut 7/16-20 "Flexloc".....	1
2	437113	Washer - Special.....	1
3	WS-7-50	Washer.....	1
4	274760-1	Washer - Shock (41/64 I.D.).....	1
5	274759	Retainer - Washer.....	1
6	70239	Conveyor - Oil.....	1
7	12430-3	Key 1/8 Sq. x 1 1/8 Lg.....	1
8	437575	Worm (5T) (1912) (Use with item 18).....	1
9	294193	Worm (4T) (1812) (Use with item 17).....	1
10	NS-46-29	Lock Nut 3/4-16 Flexlox.....	1
11	WS-11-46	Washer.....	1
12	KW-3-10	Key - 606 Woodruff.....	1
13	274908-2	Gear - Knife Shaft Worm (24T) (1912).....	1
14	274908-1	Gear - Knife Shaft Worm (25T) (1812).....	1
15	BB-021-66	Bearing - Ball.....	1
16	435785	Knife Shaft & Dowel.....	1
17	437005-1	Knife Shaft Guard Ring & Hub Assy. (1812) (Incls.items 10 thru 12, 14, 15, 21 & 22)	1
18	437005-2	Knife Shaft Guard Ring & Hub Assy. (1912) (Incls.items 10 thru 13 15, 21 & 22).....	1
19	BB-021-66	Bearing - Ball Ball Bearing MRC 105KSZZ-01 -ST-A-92-C.....	1
20	111154	Ring - Knife Shaft.....	1
21	437008	Plate - Cam Sharpener.....	2
22	NS-25-1	Nut-Crown 10-24.....	4
23	437880	Stud - Top Cover Locking.....	1
24	437994	Spring - Top Cover.....	1
25	437879	Knob - Top Cover Locking.....	1
26	SC-122-53	Mach. Screw 4-40 x 5/8 Phil. Pan Hd. (SST).....	1
27	SC-64-4	Set Screw 1/4-28 x 3/8 Hdls., Flat Pt. "Nyllok".....	1
28	73356-2	Screw - Knife (Incls.items 27 & 29).....	1
29	73265	Plug - Plate Thrust.....	1
30	SD-37-44	Self-Tapping Screw 1/4-20 x 1 5/8 Pan Hd., Type TT.....	4
31	WS-22-8	Washer.....	2
32	435401	Spacer - Deflector Mounting.....	2
33	275913-1	Knife (Service).....	1
34	437422	Top Knife Cover Assy. (Packaged) (Incls.items 23 thru 26).....	1
35	438297	NLA - Obsolete--Ring Assy. W/Cam Plates (Incls.items 21, 22 & 36).....	1
36	437211	Stud - Cam Plate.....	4



**KNIFE UNIT
(ML-104550 & ML-104552)**

**KNIFE UNIT
(ML-104550 & ML-104552)**

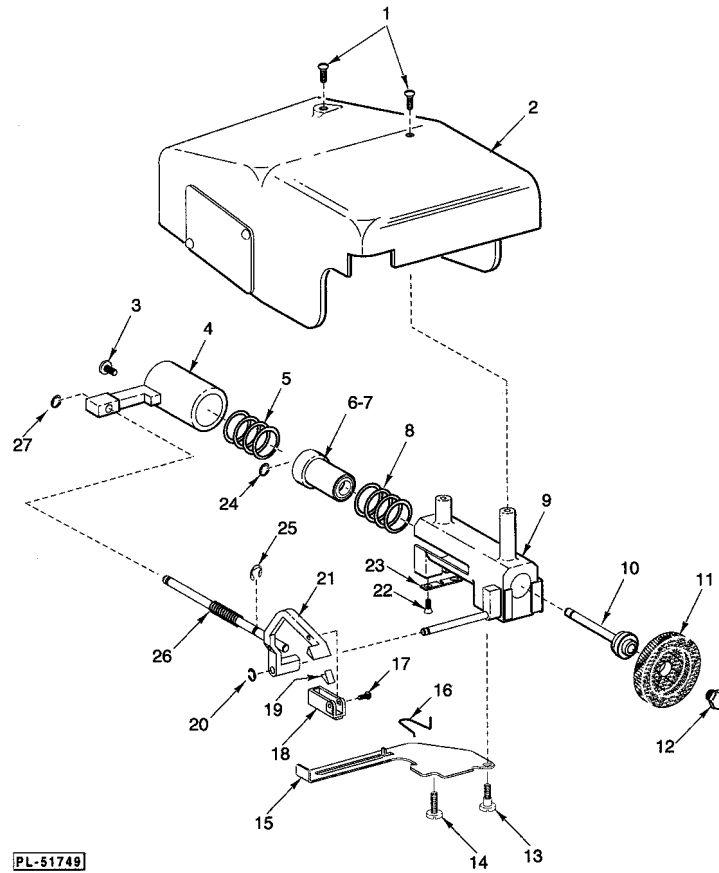
ILLUS. PL-51748	PART NO.	NAME OF PART	AMT.
1	NS-32-23	Lock Nut 7/16-20 "Flexloc".....	1
2	437113	Washer - Special.....	1
3	WS-7-50	Washer.....	1
4	274760-1	Washer - Shock (4 1/64 ID.).....	1
5	274759	Retainer - Washer.....	1
6	70239	Conveyor - Oil.....	1
7	12430-3	Key 1/8 Sq. x 1 1/8 Lg.....	1
8	437575	Worm (5T)(1912)(Use with Item 18).....	1
9	294193	Worm (4T)(1812)(Use with Item 17).....	1
10	NS-46-29	Lock Nut 3/4-16 Flexloc.....	1
11	WS-11-46	Washer.....	1
12	KW-3-10	Key - 606 Woodruff.....	1
13	274908-2	Gear - Knife Shaft Worm (24T)(1912).....	1
14	274908-1	Gear - Knife Shaft Worm (25T)(1812).....	1
15	BB-021-66	Bearing - Ball.....	1
16	435785	Knife Shaft & Dowel.....	1
17	439697-3	Knife Shaft Guard Ring & Hub (1812)(Inclus. items 10, 11, 12, 14, 15, 19 & 40).....	1
18	439697-4	Knife Shaft Guard Ring & Hub (1912)(Inclus. items 10 thru 13,15,19 & 40).....	1
19	BB-021-66	Bearing - Ball Ball Bearing MRC 105KSZZ-01 -ST-A-92-C.....	1
20	111154	Ring - Knife Shaft.....	1
21	438420	Knob.....	2
22	438423	Handle - Cam.....	4
23	438448	Cam Roller & Rivet Assy.....	1
24	SC-122-86	Mach. Screw "Special" 6-32 x 5/8 Pan Hd.....	1
25	438455	Shoulder Bolt.....	1
26	SC-119-55	Mach. Screw 10-24 x 1 Pan Hd.....	4
27	437880	Stud - Top Cover Locking.....	1
28	437994	Spring - Top Cover.....	1
29	437879	Knob - Top Cover Locking.....	1
30	WL-13-2	Lockwasher 4 Int. Shakeproof.....	1
31	SC-122-53	Mach. Screw 4-40 x 5/8 Phil. Pan Hd. (SST).....	1
32	SC-64-4	Set Screw 1/4-28 x 3/8 Hdls., Flat Pt. "Nylok".....	1
33	73356-2	Screw - Knife (Incls. items 32 & 34).....	1
34	73265	Plug - Plate Thrust.....	1
35	SD-37-44	Self-Tapping Screw 1/4-20 x 1 5/8 Pan Hd., Type TT.....	4
36	WS-22-8	Washer.....	2
37	435401	Spacer - Deflector Mounting.....	2
38	275913-1	Knife (Service).....	1
39	437422	Top Knife Cover Assy.(Packaged)(Incls.items 27 thru 31).....	1
40	439696-2	Pin & Ring Guard Assy. (Incls. items 21 thru 26).....	1



**KNIFE SHARPENER UNIT
(ML-104377 & ML-104275)**

**KNIFE SHARPENER UNIT
(ML-104377 & ML-104275)**

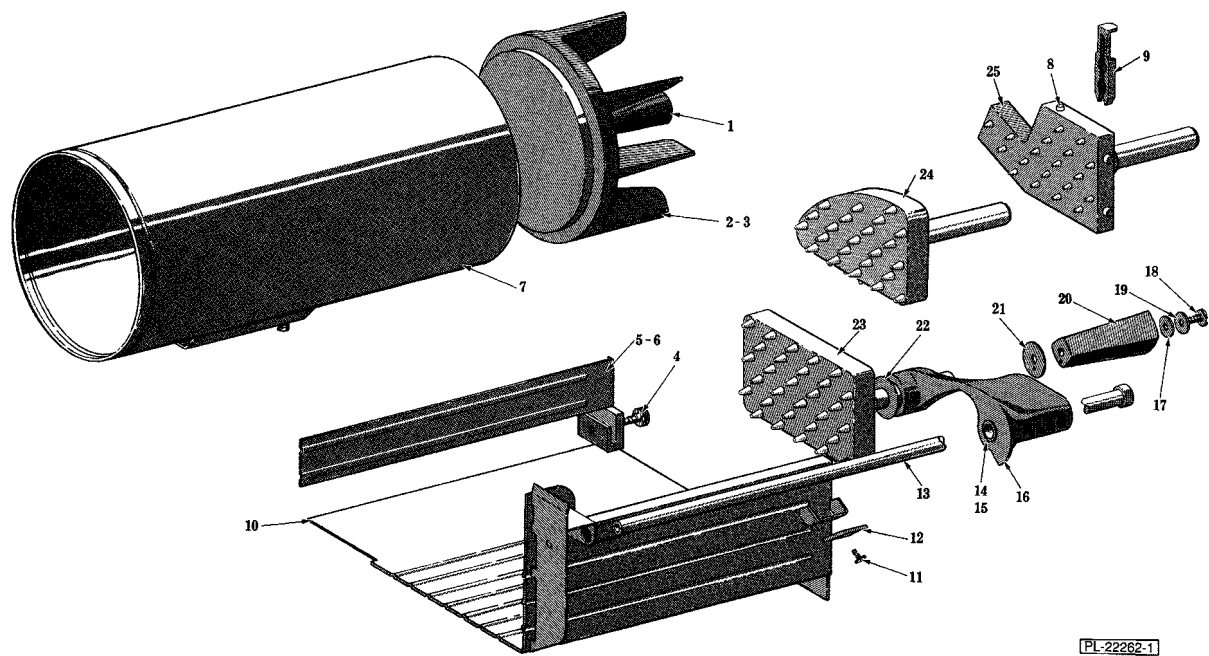
ILLUS. PL-50723	PART NO.	NAME OF PART	AMT.
1	SC-122-31	Mach. Screw 8-32 X 7/16 Phil. Oval Hd.....	1
2	435081	Top Cover - Sharpener.....	1
3	274934	Button - Truing Arm.....	1
4	119871	Spacer - Grinding Wheel Shaft.....	1
5	BA-2-1	Ball 1/8 Dia.....	11
6	270503	Shaft - Grinding Wheel.....	1
7	437847	Stone Service Kit (Incls. Fiber Washer Between items 7 & 8).....	1
8	435814	Retaining Screw (R.H.).....	1
9	274933	Body - Sharpener & Pins.....	1
10	274929	Arm - Truing.....	1
11	PG-7-40	Groove Pin 1/16.....	1
12	119882	Holder & Truing Stone Assy.....	1
13	435324	Spring - Truing Stone.....	1
14	437384	Spring - Truing Arm.....	1
15	69585-1	Plug Button.....	1
16	RR-6-22	Retaining Ring.....	1
17	RR-11-4	Retaining Ring.....	1
18	SD-15-40	Self-Tapping Screw 8-32 x 3/8 Phil Pan Hd., Type TT.....	2
19	119867	Spring - Compression.....	1
20	270501	Sleeve - Sharpener.....	1
	274926	Sharpener Assy.(Incls.items 1 thru 20).....	1
	437848	Sharpener Kit TMS-E (Incls.item 7 & 12).....	1



**KNIFE SHARPENER UNIT
(ML-104550 & ML-104552)**

**KNIFE SHARPENER UNIT
(ML-104550 & ML-104552)**

ILLUS.	PART NO.	NAME OF PART	AMT.
	PL-51749A		
1	SC-122-93	Mach. Screw 10-24 x 1/2 Phil. Truss Hd. (SST).....	2
2	438459-1	Plate & Cover Assy.....	1
3	SC-122-87	Mach. Screw 8-32 x 1/4 Slotted Pan Hd. (SST).....	1
4	438428-2	Actuator.....	1
5	438430	Spring - Main.....	1
6	438464	Plunger & Ball Bearing Assy.(Incls.item 7).....	1
7	BB-21-36	Ball Bearing NSK R4BDD.....	2
8	438437	Spring - Return.....	1
9	438449	NLA - Obsolete--Housing & Stud Assy.....	1
10	438417	Shaft - Grinding Wheel.....	1
11	439691	Stone Service Kit.....	1
12	435814	Retaining Screw (R.H.).....	1
13	438442	Screw - Shoulder "Special".....	1
14	SC-122-87	Mach. Screw 8-32 x 1/4 Slotted Pan Hd. (SST).....	1
15	438434	Lever - Locking.....	1
16	438435	Spring - "U"(Long end to inserted into housing).....	1
17	SC-122-84	Mach. Screw 2-56 x 9/16 Slotted Pan Hd. (SST).....	1
18	438466	Stone - Truing.....	1
19	435324	Spring - Truing Stone.....	2
20	RR-6-22	Retaining Ring.....	1
21	438445	Arm - Truing & Pusher Rod Assy.....	1
22	SC-122-85	Mach. Screw 4-40 x 1/4 Phil. Flat Hd. (SST).....	2
23	438421	Plate - Rear Locking.....	1
24	RR-6-22	Retaining Ring.....	1
25	RR-6-3	Retaining Ring.....	1
26	438426	Spring - Truing Arm.....	1
27	RR-6-3	Retaining Ring.....	1
	438438-1	Sharpener Assy.(Incls.items 1 thru 27).....	1



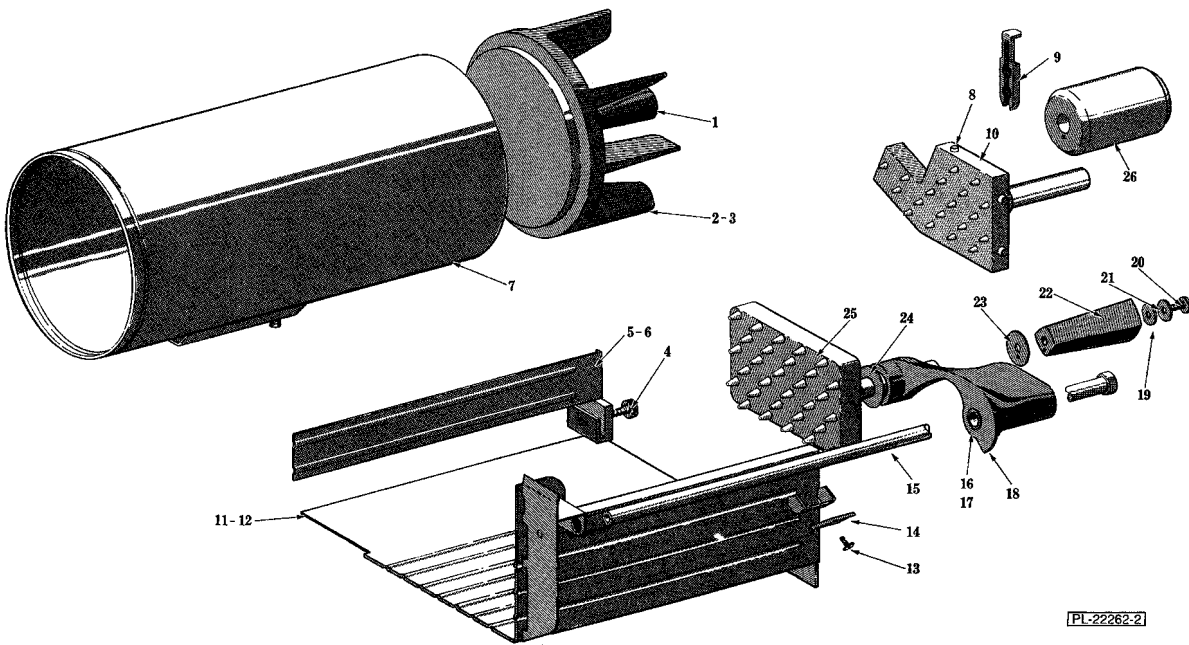
PL-22262-1

1812 CARRIAGE TRAY UNIT

1812 CARRIAGE TRAY UNIT

ILLUS.	PART NO.	NAME OF PART	AMT.
	PL-22262-1		
*1	70194	Handle - Gauge Plate.....	1
*2	75930	Plate - Pusher.....	1
*3	75945	Pusher Plate & Handle Assy. (Incls. items 1 & 2).....	1
4	290984	Thumb Screw - Fence.....	1
5	295118	Fence & Thumb Screw Assy. (Packaged)(Incls.item 4)(SST).....	1
6	295117	High Fence & Thumb Screw Assy (Horizontal Carriage Tray)(Incls.item 4)(SST).....	1
*7	118332-1	Tube & Angled Seat Assy.....	1
8	70360-1	Button - Plastic.....	5
9	70341	Meat Holder - Meat Grip.....	2
10	437115-1	Carriage Tray Assy. (SST)(Incls.item 13).....	1
11	SC-8-9	Mach. Screw 10-24 x 3/8 Rd. Hd.....	2
12	72579	Clip - Meat Grip Retaining.....	1
13	435949	Shaft - Knob Assy.....	1
14	437124	Bearing - Meat Grip Arm.....	2
15	WS-21-19	Washer.....	AR
16	437987	Meat Grip Arm & Bearing Assy. (Incls.item 14).....	1
17	70344	Washer - Handle Tension.....	1
18	68042	Screw - Truss Hd. "Nylok".....	1
19	70345	Washer - Handle Retaining.....	1
20	70202	Handle - Meat Grip (Non-Metallic).....	1
21	437006	Washer - Handle.....	1
22	437007	Washer.....	1
23	437908	Meat Grip Assy. (Standard).....	1
24	438175	Meat Grip Assy. (Light Weight) (Packaged).....	1
25	438176	Meat Grip Assy. (Heavy) (Packaged) (Incls. items 8 & 9).....	1
	437912-2	Meat Grip Assy. & Arm Assy. (Standard) (Incls.items 17 thru 23).....	1

* Attachment chute (Special, used in place of carriage)

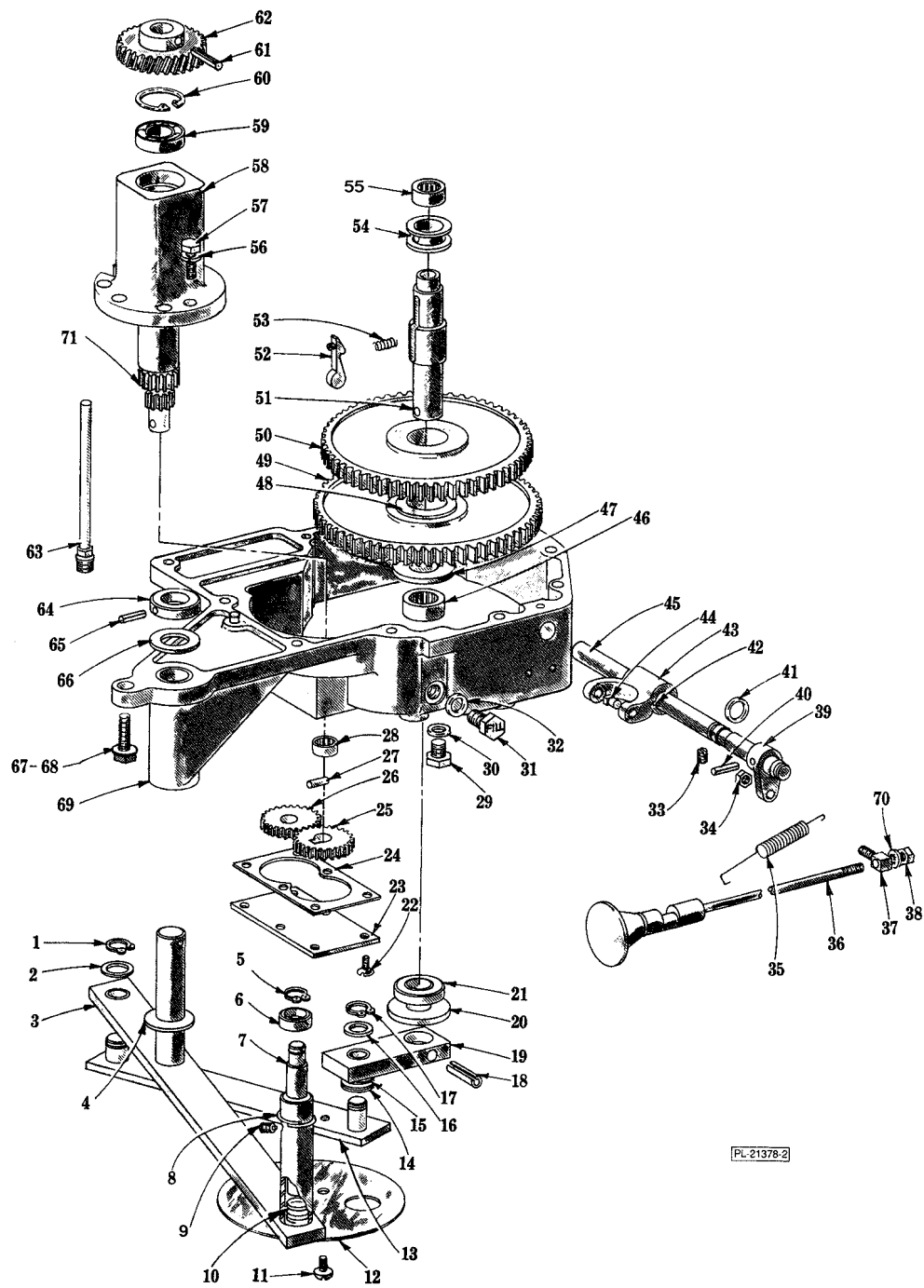


1912 CARRIAGE TRAY UNIT

1912 CARRIAGE TRAY UNIT

ILLUS.	PART NO.	NAME OF PART	AMT.
PL-22262-2			
*1	70194	Handle - Gauge Plate.....	1
*2	75930	Plate - Pusher.....	1
*3	75945	Pusher Plate & Handle Assy. (Incls.items 1 & 2).....	1
4	290984	Thumb Screw - Fence.....	1
5	295118	Carriage Fence & Thumb Screw Assy. (Packaged)(Incls.item 4)(SST).....	1
6	295117	High Fence & Thumb Screw Assy. (Horizontal Carriage Tray)(Package)(Incls.item 4) (SST).....	1
*7	118332-1	Tube & Angled Seat Assy.....	1
8	70360-1	Button - Plastic.....	5
9	70341	Meat Holder - Meat Grip (Use with item 10).....	2
10	438176	Meat Grip Assy. (Heavy) (Packaged) (Incls.items 8 & 9).....	1
11	437115-1	Carriage Tray Assy. (SST) (Incls.item 15).....	1
12	437116	Horizontal Carriage Tray & Slide Rod Assy. (SST) (Incls.item 15).....	1
13	SC-8-9	Mach. Screw 10-24 x 3/8 Rd. Hd.....	2
14	72579	Clip - Meat Grip Retaining.....	1
15	435949	Shaft - Knob Assy.....	1
16	437124	Bearing - Meat Grip Arm.....	2
17	WS-21-19	Washer.....	AR
18	437987	Meat Grip Arm & Bearing Assy. (Incls.item 16).....	1
19	70344	Washer - Handle Tension.....	1
20	68042	Screw - Truss Hd. "Nyllok".....	1
21	70345	Washer - Handle Retaining.....	1
22	70202	Handle - Meat Grip (Non-Metallic).....	1
23	437006	Washer - Handle.....	1
24	437007	Washer.....	1
25	437908	Meat Grip Assy. (Standard).....	1
26	438177	NLA - Obsolete--Handle - Meat Grip (Heavy)(Packaged).....	1
	437912-2	Meat Grip Assy. & Arm Assy. (Standard) (Incls.items 17 thru 25).....	1

* Attachment chute (Special, used in place of carriage)



1912 GEAR CASE UNIT

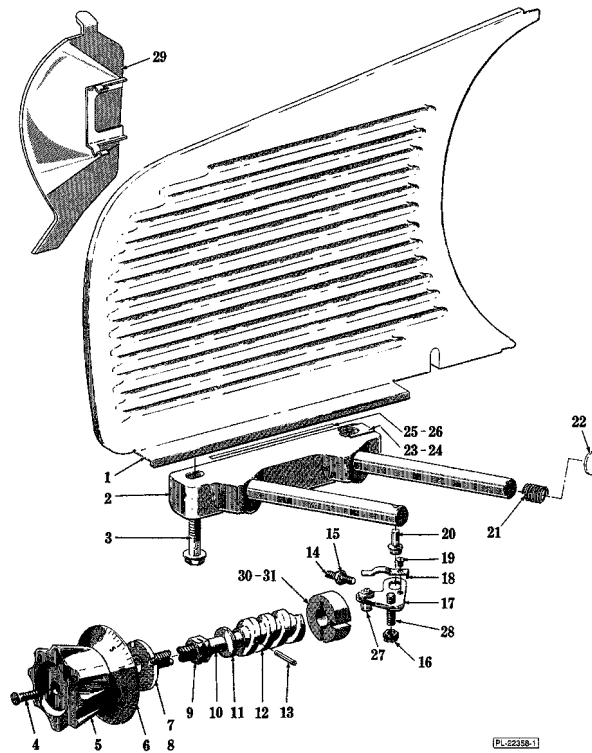
1912 GEAR CASE UNIT

ILLUS.	PART NO.	NAME OF PART	AMT.
PL-21378-2			
1	RR-4-17	Retaining Ring.....	1
2	WS-7-21	Washer.....	1
3	70259	Engaging Arm Assy.....	1
4	70283	Washer - Pivot Shaft Thrust.....	1
5	RR-4-3	Retaining Ring.....	1
6	70303	Roller - Engaging Mech.....	1
7	70295	Shaft - Engaging Mech.....	1
8	70396	Ring - Stop Retaining.....	1
9	70324	Stop - Engaging Mech. Shaft.....	1
10	70307	Spring - Engaging Mech.....	1
11	SC-9-28	Mach. Screw 10-24 x 3/8 Rd. Hd.....	2
12	103915	Cover Plate - Connecting Rod.....	2
13	70268	Connecting Rod Assy.....	1
14	WS-8-9	Washer.....	2
15	WS-8-8	Washer.....	1
16	WS-7-21	Washer.....	1
17	RR-4-17	Retaining Ring.....	1
18	RP-2-46	Roll Pin 1/4 Dia. x 1 1/4 Lg.....	1
19	123889	Arm & Bearing Assy.....	1
20	70290	Washer - Crank Arm Thrust.....	1
21	70442	Seal - Drive Shaft.....	1
22	SC-14-76	Mach. Screw 10-24 x 3/8 Flat Hd.....	6
23	70234	Cover - Gear Pump Bottom.....	1
24	70244	Gasket - Bottom Cover.....	1
25	70243	Gear - Oil Pump Drive (27T).....	1
26	70242	Gear - Oil Pump Idler (27T).....	1
27	11800-200	Dowel.....	1
28	BN-2-13	Needle Bearing (Torrington #B-86).....	1
29	SC-62-68	Cap Screw 1/2-20 x 3/4 Hex Hd.....	1
30	WS-21-21	Washer.....	1
31	64465-3	Plug - Oil Fill.....	1
32	WS-21-20	Washer.....	1
33	SC-63-14	Set Screw 8-32 x 1/4 Hdls., Flat Pt.....	1
34	NS-32-1	Stop Nut 10-24 "Flexloc".....	1
35	70285	Spring - Shifter Mech.....	1
36	70446	Shift Rod, Selector & Knob Assy.....	1
37	70286	Knuckle - Shifter.....	1
38	NS-9-30	Mach. Nut 10-32 Hex.....	2
39	70296	Bracket - Shifter.....	1
40	RP-2-28	Roll Pin 3/16 Dia. x 3/4 Lg.....	1
41	67500-2	"O" Ring.....	1
42	12430-3	Key 1/8 Sq. x 1 1/8 Lg.....	1
43	61654	Yoke - Shifter.....	1
44	61655	Shoe - Shifter.....	2
45	70267	Shaft - Shifter.....	1
46	BN-2-15	Needle Bearing (Torrington #B-126).....	1
47	70281	Washer - Gear Thrust.....	1
48	70274	Collar - Diving Key.....	1
49	72715	Gear - Driven (119T) (Low Speed).....	1
50	70170	Gear - Driven (114T)(High Speed).....	1
51	293036	Shaft - Crank Arm Drive.....	1
52	435543	Key - Diving.....	1
53	70308	Spring - Diving Key.....	1
54	61656	Sleeve - Clutch Shifter.....	1
55	BN-2-14	Needle Bearing (Torrington #M-881).....	1

1912 GEAR CASE UNIT

ILLUS.	PART NO.	NAME OF PART	AMT.
PL-21378-2			
56	WL-3-37	Lockwasher 1/4 Medium.....	3
57	SC-36-6	Cap Screw 1/4-20 x 1 Hex Hd.....	3
58	70156	Carrier - Pinion Shaft Bearing.....	1
59	BB-15-37	Ball Bearing - N.D. #3L03.....	1
60	RR-11-52	Retaining Ring.....	1
61	RP-3-8	Roll Pin 3/16 Dia. x 1 1/8 Lg.....	1
62	70159	Gear - Worm (29T).....	1
63	70248	Fitting & Oil Tube Assy.....	1
64	70275	Collar - Pivot Shaft Thrust.....	1
65	RP-3-12	Roll Pin 1/8 Dia. x 1 1/4 Lg.....	1
66	70283	Washer - Thrust.....	1
67	SD-33-8	Self-Tapping Screw 5/16-18 x 1 Hex Washer Hd., Type TT.....	4
68	SD-33-9	Self-Tapping Screw 5/16-18 x 3 Hex Washer Hd., Type TT.....	7
69	124640-1	Gear Case, Bearing & Dowel Assy (Incls. items 21 & 46).....	1
70	WL-8-13	Lockwasher 10 Internal Shakeproof.....	2
71	72716	Shaft - Pinion (19T & 14T).....	1
	72714	Brg. Carrier, Pinion Shaft & Gear Assy (Incls. items 58 thru 62 & 71).....	1
	106933	Drive Shaft Assy (Incls. items 51, 52, 53 & 54).....	1

NOTES



GAUGE PLATE & INDEXING MECH.

GAUGE PLATE & INDEXING MECH.

ILLUS.	PART NO.	NAME OF PART	AMT.
	PL-22358-1A		
1	124768	Gauge Plate Unit.....	1
2	274989-2	Gauge Plate Support & Slide Rod Assy.....	1
3	112913	Screw - Special.....	2
4	SC-23-10	Mach. Screw 10-24 x 3/4 Oval Hd.....	1
5	114214	Cap - Index Knob.....	1
6	118175	Dial Assy.....	1
7	76948	Disc. - Indexing Drive.....	1
8	RP-2-40	Roll Pin 3/32 Dia. x 3/4 Lg.....	1
9	10928-2	Nut - Special.....	2
10	437626	Shaft - Indexing.....	1
11	88298	Washer - Belleville.....	2
12	87495	Worm - Indexing.....	1
13	RP-3-1	Roll Pin 5/32 Dia. x 5/8 Lg.....	1
14	SC-63-28	Set Screw 1/4-20 x 1 Hdls., Flat Pt.....	1
15	NS-17-1	Jam Nut 1/4-20 Hex.....	1
16	NS-32-12	Stop Nut 5/16-18 "Flexloc".....	1
17	437213	Indexing Plate Assy.(Incls.items 18, 19, 27 & 28).....	1
18	437212	Spring - Indexing Plate.....	1
19	SC-8-14	Mach. Screw 10-32 x 3/16 Rd. Hd.....	1
20	70343	Roller - Indexing Plate (Straight).....	1
21	274906	Spring - Gage Plate.....	1
22	76952	Plug - Expansion.....	1
23	291171-1	Spacer - Gauge Plate Sprocket (.003 Thk.).....	1
24	291171-2	Spacer - Gauge Plate Sprocket (.005 Thk.).....	3
25	122559	Shim (Specify Dash #-1 = .0075 Thk.; -2 = .010 Thk. & -3 = .0125 Thk.).....	AR
26	122573	Shim (Specify Dash #-1 = .002 Thk.; -2 = .003 Thk.; -3 = .004 Thk.; -4 = .005 Thk.)	AR
27	70342	Roller - Indexing.....	1
28	291569	Stud - Collar Assy.....	1
29	274911	Deflector.....	1
30	437627	Collar (Incls.item 31).....	1
31	SC-40-56	Cap Screw 8-32 x 1/2 Soc. Hd.....	1
	437989	Indexing Shaft & Worm Assy.(Incls.items 10, 12 & 13).....	1

