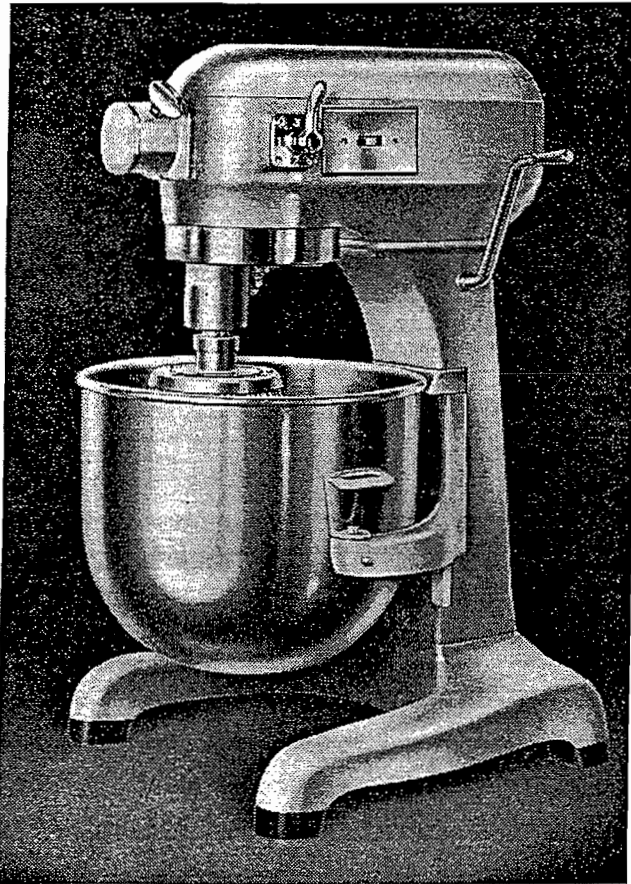


# INSTRUCTION MANUAL

. . . *with Catalog of Replacement Parts*



## **HOBART**

MODELS A-200 and A-200T  
MIXERS

M/L #3943 — A-200

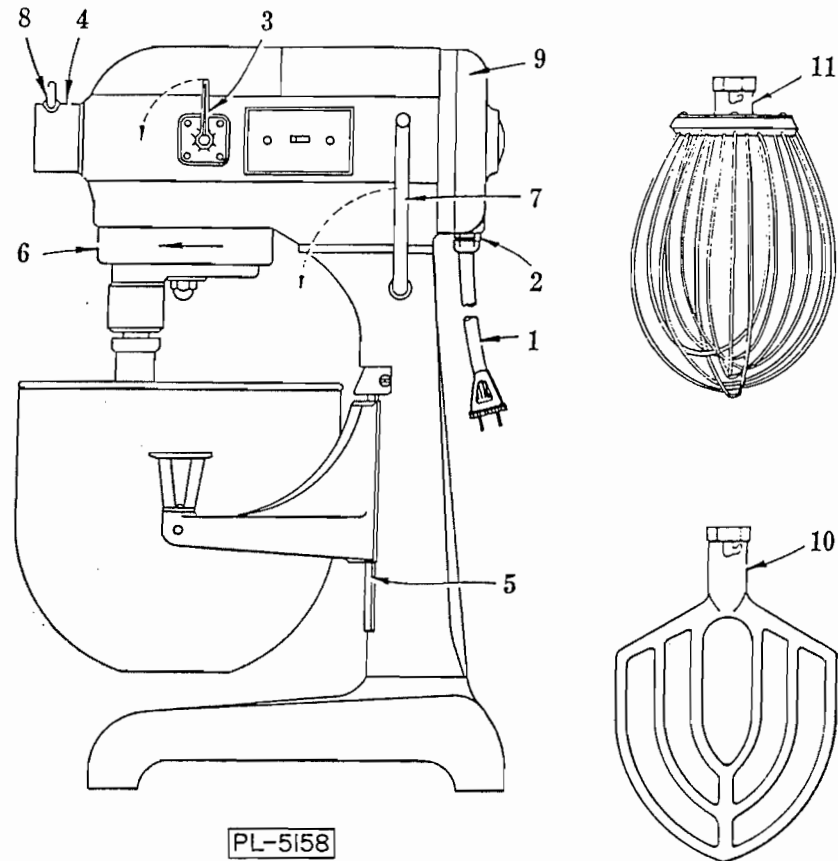
M/L #8102 — A-200T

**HOBART**

*The World's Oldest and Largest Manufacturer of Computing Scales  
and Food Store, Kitchen, Bakery and Dishwashing Machines*

**THE HOBART MANUFACTURING COMPANY** TROY, OHIO





PL-5158

## Instructions for Operation and Care of Models A-200 and A-200T Hobart Mixers

### INSTALLATION:

If cord and plug is not used with this machine electrical connections should be made by qualified workmen who will observe all applicable Safety Codes and the National Electrical Code.

Before making electrical connections, CHECK THE SPECIFICATIONS ON THE NAME PLATE TO MAKE SURE THEY AGREE WITH THOSE OF YOUR ELECTRICAL SERVICE.

A cord and plug (1) is furnished as standard equipment on this mixer (except for three phase current). The electrical outlet (2) is tapped for 1/2" conduit should a permanent installation be desired.

Multiphase motors should be so connected that the planetary will revolve in the direction of the arrow in the illustration.

### A-200

Set the shifter handle (3) at the desired speed and turn on the switch to start the motor.

### A-200T

To start the motor for non-timed operation, set the shifter handle (3) at the desired speed, then set the timer on hold and turn on the switch. For timed operation set the timer for the desired time and then turn on the switch.

### LUBRICATION:

The motor (9) has grease packed ball bearings so will require little attention. The transmission gearing is packed with special grease that will last for several years. When grease is needed for replacement, it should be ordered from your local Hobart representative. The small oiler (4) is for lubricating attachments. Oil only when an attachment is in place and never use more than a drop or two. Lubricate the bowl slideways (5) occasionally by applying a small amount of oil or grease with the tip of the finger. Only mineral oils are suitable for this type of lubrication.

The polished drip cup (6) is a safe-guard to prevent any lubricant that might work out of the planetary gearing from dropping into the bowl. Remove the drip cup (by pulling straight down) once a month and wipe it clean.

**SPEED CONTROL:**

To change speeds, first turn off the motor, then move the shifter handle (3) to the desired speed. In the illustration the shifter handle is set at number 3 or high speed.

Use number 3 speed for fast, light work as whipping cream, beating eggs and mixing thin batters.

Number 1 or slow speed is for heavy mixtures, like breakfast rolls, etc. Also use this speed for the food chopper attachment (see attachments). In many mixing operations it is customary to start on Number 1 and then change to a higher speed as the work progresses.

**BOWL LIFT:**

Pull the lift handle (7) forward to lower the bowl. It is necessary to lower the bowl to change agitators, this also makes the bowl more accessible for filling. When raising the bowl, move the lift handle a little beyond the vertical center until you feel it touch the stop. To mash potatoes, or to cream butter, start with the bowl down and raise it slowly into working position, while the agitator is rotating.

**AGITATORS:**

When assembling an agitator the bowl must be in the down position. Slip the agitator up on the shaft and turn it until the driving pin in the shaft reaches the L-shaped slot in the agitator shank. Agitators of various styles are available, each suited to a particular job.

The style "B" beater (10) is commonly used for thin batters, cakes, and mashing potatoes. The

style "D" whip (11) is best for whipping cream and beating eggs. Two other styles frequently used are the "E" dough arm for heavy bread doughs, and the "P" pastry knife for cutting shortening into flour for pastry.

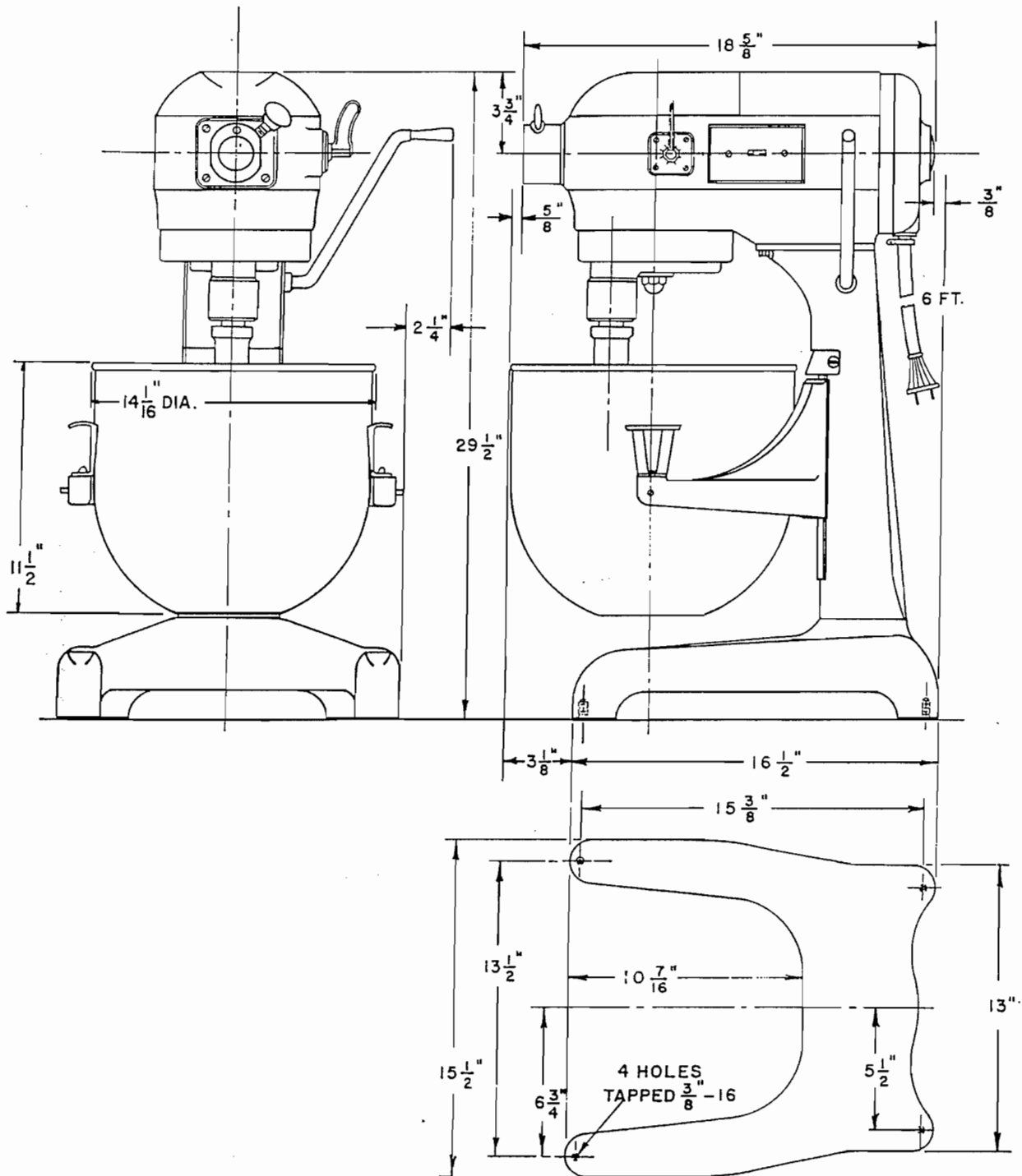
**ATTACHMENTS:**

Various attachments and accessories are available for this machine, such as; Dicer, Vegetable Slicer & Shredder, Food Chopper, Soup Strainer and Colander, Juice Extractor, Coffee Mill, Tool Sharpener, Oil Dropper, Tray Support, Water Jacket, Bowl Truck, Bowl Splash Cover and Bowl Extension Ring. The attachment socket is for the size 12 attachments. Before putting an attachment into the socket, stop the motor, then insert with a slight twist toward the left so that the stop stud in the attachment is tight against the side of the hole that receives it. When in place tighten the thumb screw (8) and put a drop of oil in the oiler (4).

The attachment drive has three speeds, governed by the shifter handle (3) of the mixer. For most attachments set the handle at number 1. Set the speed at number 3 for the tool grinder. **THE CHOPPER ATTACHMENT MUST NEVER RUN FASTER THAN SPEED 1** when cutting meat, but when cutting vegetables it may run at the number 2 speed. Use the motor switch to start and stop attachments, and always stop the motor before changing the speed of an attachment.

**MOTORS:**

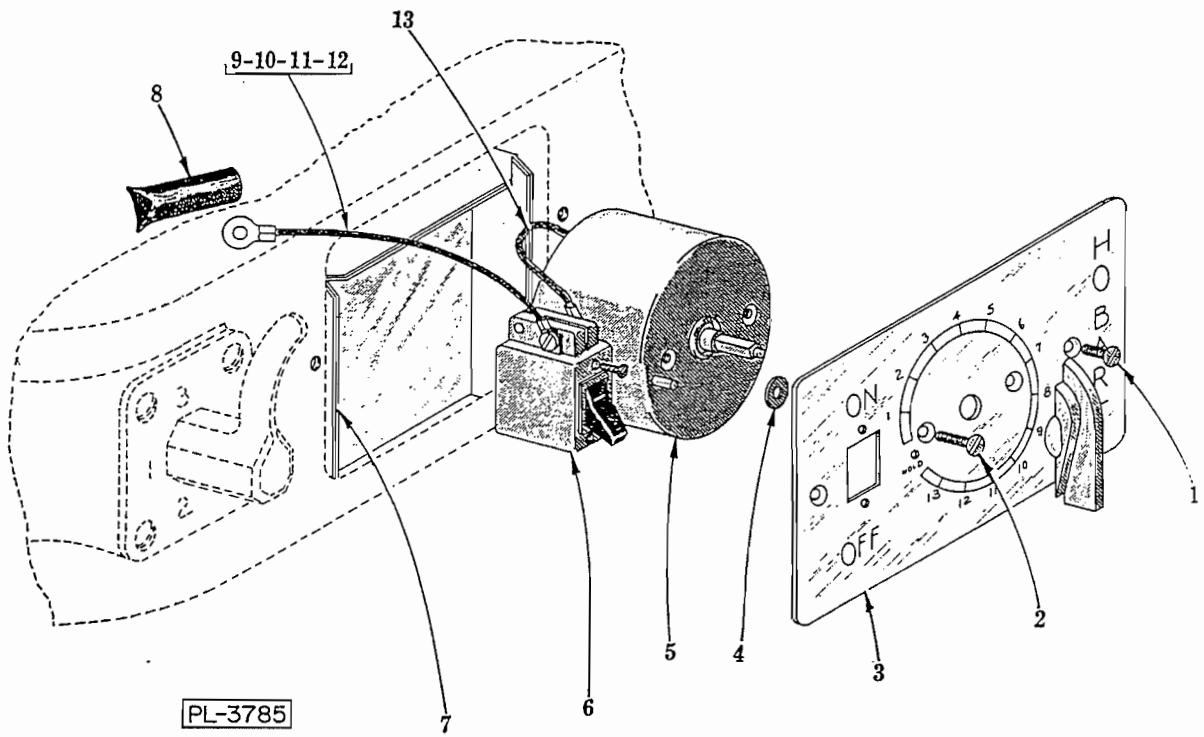
Motor parts are listed on separate Motor Parts Sheet.



PL-5324

P-17446

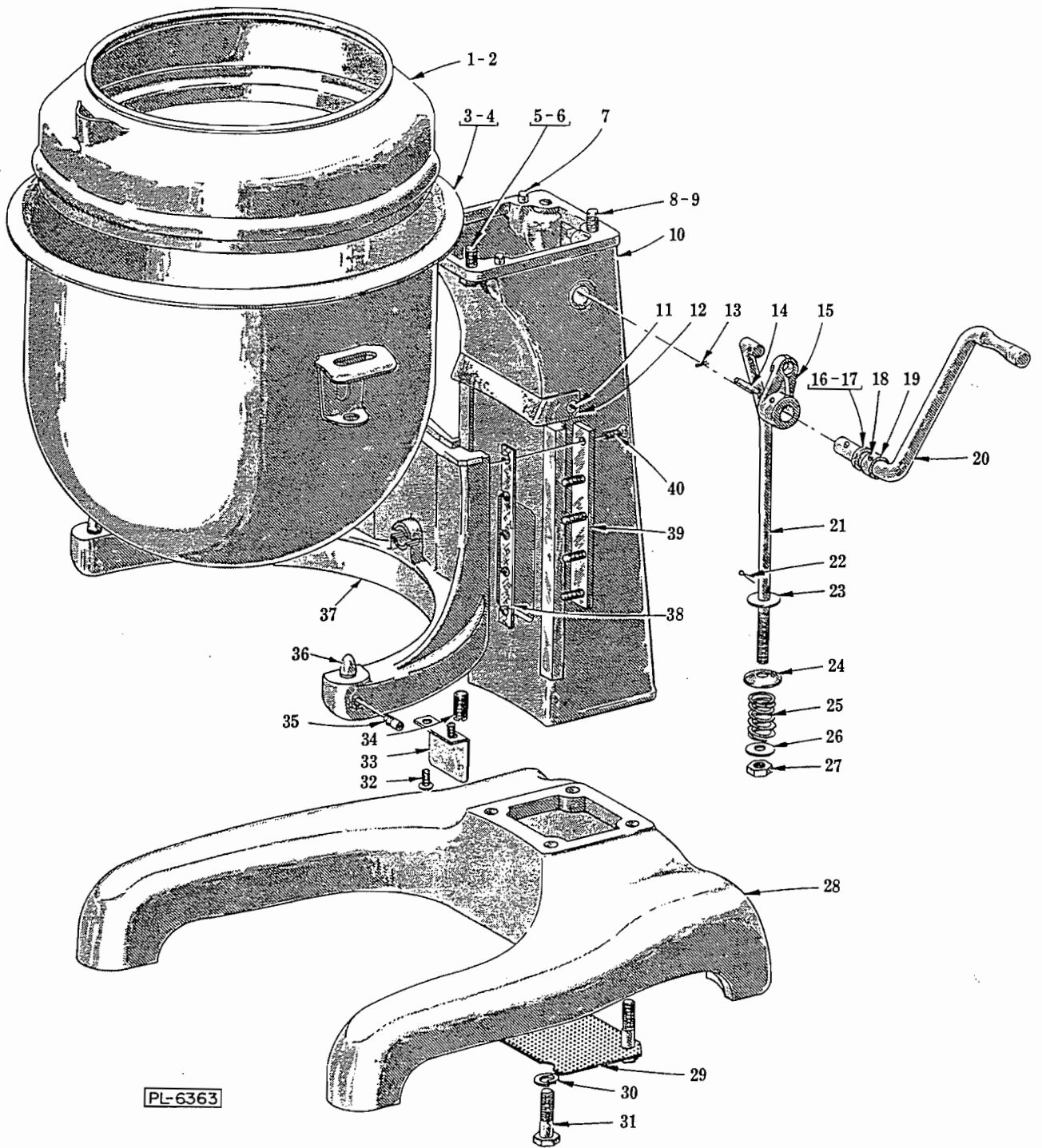
INSTALLATION DIAGRAM



SWITCH, TIMER AND CONTROL UNIT

## SWITCH, TIMER AND CONTROL UNIT

ILLUS. PL-3785	PART NO.	NAME OF PART	AMT.
1	SC-15-8	Mach. Screw - #6-32 x 1/4" Oval Hd. -----	2
2	SC-14-41	Mach. Screw - #5-40 x 3/8" Flat Hd. -----	2
3	P-70594	Plate - Switch -----	1
4	WS-2-18	Washer (Between Timer & Plate) -----	2
5	P-86087	Timer (Incls. item #2) -----	1
6	P-87711-98-1	Switch -----	1
7	P-70782	Insulator -----	2
8	M-61285-1	Boot - Insulating -----	2
9	R-67000-71	Lead (Switch to Motor) -----	1
10	SC-27-28	Mach. Screw - #8-32 x 1/4" Rd. Hd. (For Connecting leads) -----	2
11	WL-10-1	Lock Washer - #8 Ext. Shakeproof -----	2
12	NS-10-11	Mach. Nut - #8-32 Hex -----	2
13	R-67000-70	Lead (Timer to Switch) -----	1
	M-71291-3	Conversion Kit (A-200 to A-200T) (2 Conductor) (1 Ph. ONLY) (Incls. items #1 thru 12) -----	1

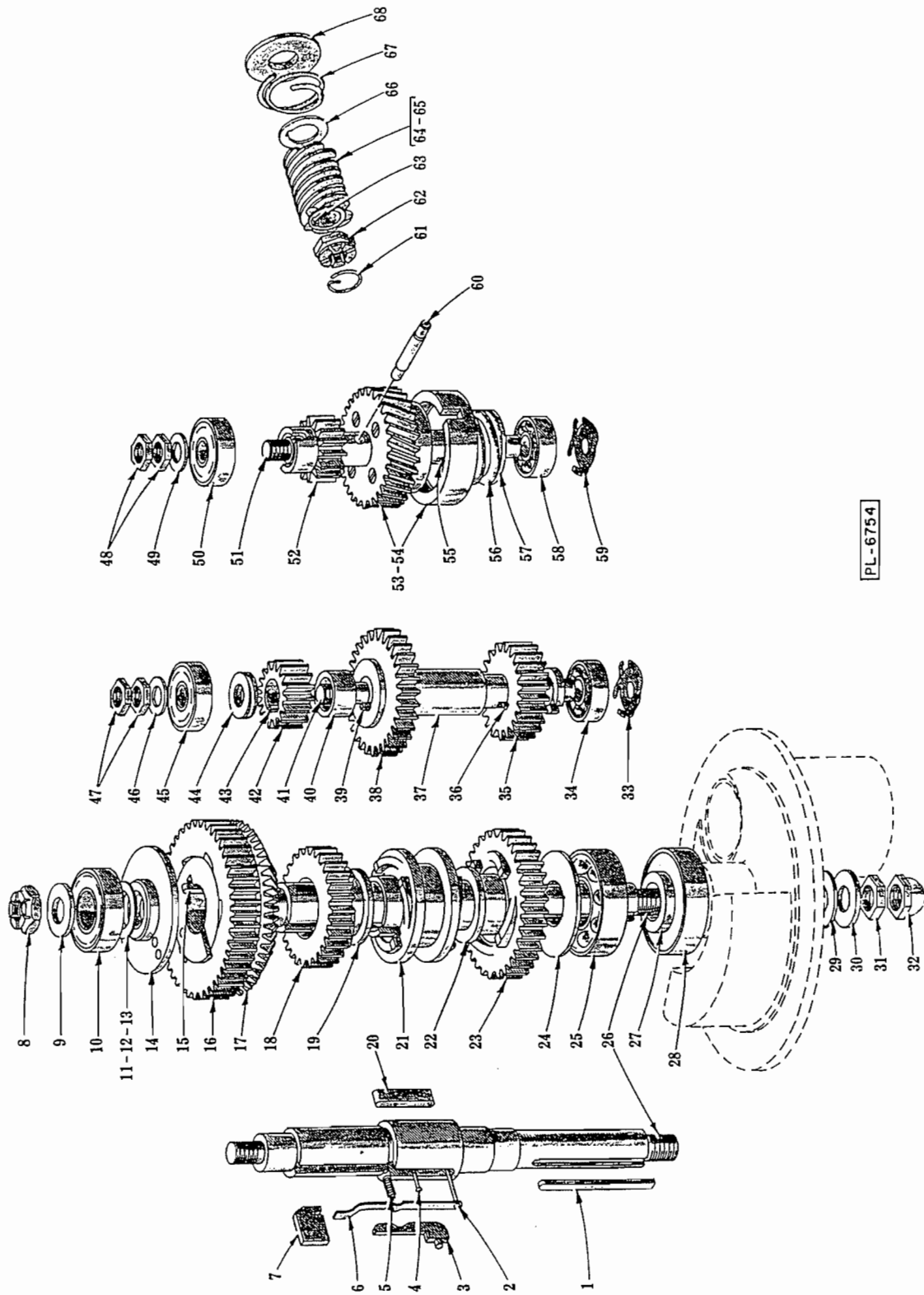


BASE, PEDESTAL AND BOWL UNIT



## BASE, PEDESTAL AND BOWL UNIT

ILLUS. PL-6363	PART NO.	NAME OF PART	AMT.
1	S-20531-1	Splash Cover & Bowl Extension (20 Qt.) -----	1
2	R-86069-1	Cover - Splash (12 Qt.) -----	1
3	S-62103	Bowl Assy. (20 Qt.) -----	1
4	S-15360	Bowl Assy. (12 Qt.) -----	1
5	SC-36-27	Fin. Bolt - 5/16"-18 x 1" Hex Hd. -----	2
6	WL-3-43	Lock Washer - 5/16" x .117" x .056" -----	2
7	P-11800-116	Dowel -----	2
8	SC-8-92	Mach. Screw - 5/16"-18 x 1" Rd. Hd. -----	2
9	WL-3-43	Lock Washer - 5/16" x .117" x .056" -----	2
10	T-78635	Pedestal -----	1
11	SC-10-32	Mach. Screw - #8-32 x 3/8" Truss Hd. -----	2
12	P-78506	Shield - Upper Splash -----	1
13	PC-3-55	Cotter Pin - 1/8" x 3/4" -----	1
14	PT-3-50	Taper Pin - #3 x 1" Lg. -----	1
15	M-12685	Arm - Bowl Lift -----	1
16	WS-9-11	Washer (STL) -----	As Req'd
17	WS-9-13	Washer (Fiber) -----	As Req'd
18	P-11800-181	Dowel -----	1
19	V-12716-1	Stop Collar - Lift Handle -----	1
20	P-60422-1	Lift Handle Sub-Assy. (Incls. items #18 & 19) -----	1
21	P-15215	Rod - Bowl Lift -----	1
22	PC-3-55	Cotter Pin - 1/8" x 3/4" -----	1
23	WS-6-33	Washer (STL) -----	As Req'd
24	V-12745	Washer - Special -----	1
25	V-12782	Spring -----	1
26	WS-6-26	Washer (STL) -----	1
27	NS-13-26	Full Nut - 3/8"-24 Hex Fin. -----	1
28	T-78633	Base -----	1
29	P-78501	Screen - Air -----	1
30	WL-4-2	Lock Washer - 3/8" x .136" x .070" -----	4
31	SC-62-27	Fin. Bolt - 3/8"-16 x 1-3/4" Hex Hd. -----	4
32	SC-60-56	Mach. Screw - #10-32 x 5/16" Rd. Hd. -----	2
33	P-78505	Shield - Lower Splash -----	1
34	SC-83-16	Set Screw - 7/16"-14 x 7/8" Hdls. Oval Pt. -----	1
35	V-5014	Stud - Ice Jacket Hook -----	2
36	V-6938-2	Pin - Bowl Locating -----	2
37	M-24869-1	Bowl Support Sub-Assy. Unit (Incls. items #32, 33, 34 & 36) -----	1
38	V-16389	Shim - Bowl Support (Give Thk.) -----	As Req'd
39	M-15218-1	Gib - Bowl Support -----	2
40	SC-13-49	Mach. Screw - #10-24 x 5/8" Flat Hd. -----	10

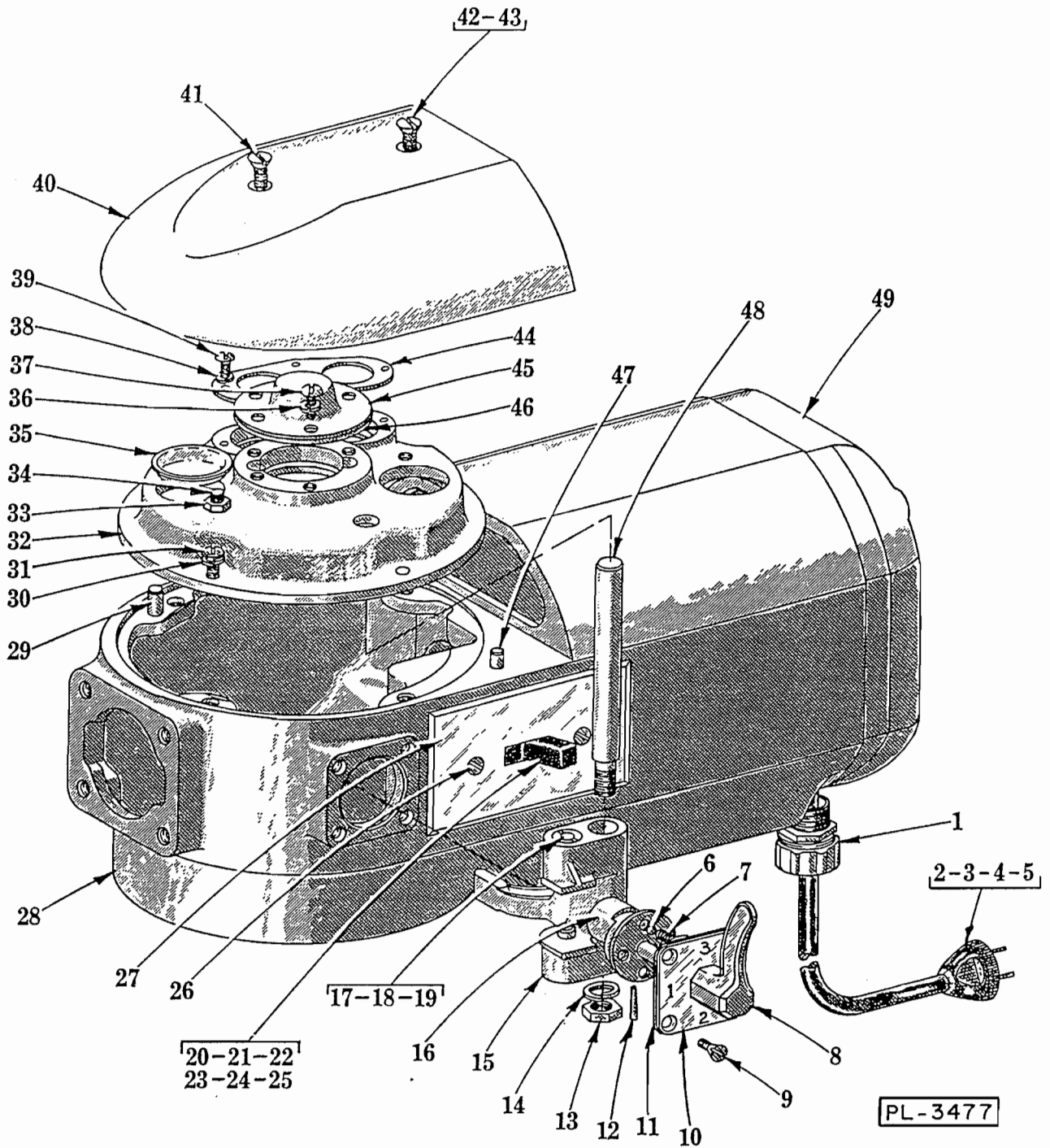


PL-6754

TRANSMISSION GEAR UNIT

## TRANSMISSION GEAR UNIT

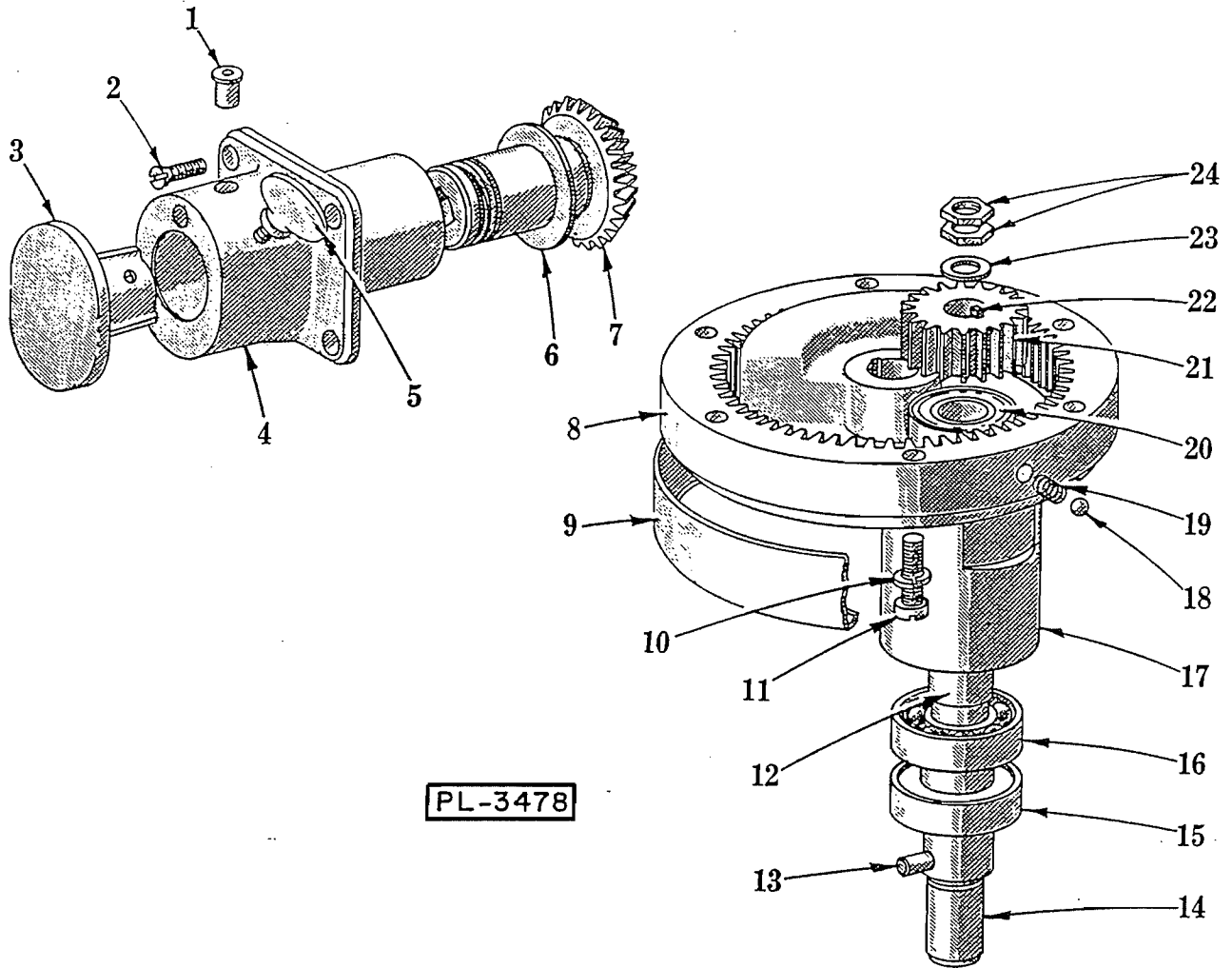
ILLUS. PL-6754	PART NO.	NAME OF PART	AMT.
1	R-12430-18	Key -----	1
2	V-15575-2	Rivet -----	1
3	M-13024	Block - Diving Key Control -----	1
4	V-15575-1	Rivet -----	1
5	V-12759	Spring -----	1
6	V-12749	Arm - Diving Key Control -----	1
7	M-15528	Key - Diving -----	1
8	NS-32-29	Stop Nut - 1/2"-20 "Flexloc" -----	1
9	WS-8-13	Washer - Retaining -----	1
10	BB-5-27	Ball Bearing - N.D. #77503 -----	1
11	WS-10-18	Shim - Brg. (.002" Thk.) -----	As Reqd.
12	WS-10-19	Shim - Brg. (.003" Thk.) -----	As Reqd.
13	WS-10-20	Shim - Brg. (.010" Thk.) -----	As Reqd.
14	M-12701	Spacer - Upper -----	1
15	R-12430-59	Key -----	1
16	M-15225	Gear - Slow Speed (46T) -----	1
17	P-18800	Gear - Zerol Bevel (46T) -----	1
18	M-12694	Gear - Clutch (29T) -----	1
19	M-12695	Bearing - Clutch Gear -----	1
20	V-16577	Key - Special Feather -----	1
21	M-12703	Sleeve - Clutch -----	1
22	M-12695	Bearing - Clutch Gear -----	1
23	M-12696	Gear - Clutch (38T) -----	1
24	M-12723	Spacer - Lower -----	1
25	BB-20-6	Ball Bearing - N.D. #7504 -----	1
26	R-12750	Shaft - Center -----	1
27	M-14674	Spacer - Bearing -----	1
28	M-23483	Seal - Oil -----	1
29	WS-7-26	Washer (Fiber) -----	1
30	WS-24-1	Washer - Retaining (STL) -----	1
31	V-10928-2	Nut - 1/2"-20 Special -----	1
32	M-24715-3	Acorn Nut - 1/2"-20 -----	1
33	SL-2-8	Spring - Preloading -----	1
34	BB-5-1	Ball Bearing - N.D. #3200 -----	1
35	V-12699	Gear (23T) -----	1
36	R-12430-2	Key -----	1
37	V-12697	Spacer - Lower -----	1
38	M-12700	Gear (32T) -----	1
39	R-12430-2	Key -----	1
40	V-12698	Spacer - Central -----	1
41	M-12717	Shaft - Transmission -----	1
42	M-15224	Gear (15T) -----	1
43	R-12430-2	Key -----	1
44	V-12744	Spacer - Upper -----	1
45	BB-5-2	Ball Bearing - N.D. #7500 -----	1
46	WS-6-8	Washer - Retaining -----	1
47	V-12710	Nut - Retaining -----	2
48	V-12710	Nut - Retaining -----	2
49	WS-6-8	Washer - Retaining -----	1
50	BB-5-2	Ball Bearing - N.D. #7500 -----	1
51	M-12725	Shaft - Worm Gear -----	1
52	V-12719	Gear (15T) -----	1
53	M-86525-1	Lower Release, Worm Wheel & Hub Sub-Assy. (29T.) (60 Cy.) -----	1
54	M-86525-2	Lower Release, Worm Wheel & Hub Sub-Assy. (24T.) (50 Cy.) -----	1
55	R-12430-1	Key -----	1
56	M-12724	Spring - Friction Drive -----	1
57	WS-9-28	Washer -----	1
58	BB-5-1	Ball Bearing - N.D. #3200 -----	1
59	SL-2-8	Spring - Preloading -----	1
60	V-18431	Pin -----	1
61	V-12793	Retaining Ring -----	1
62	M-12792	Nut - Special -----	1
63	V-12747	Key -----	1
64	M-12743-1	Worm (5T) (60 Cy.) -----	1
65	M-12770	Worm (5T) (50 Cy.) -----	1
66	V-12754	Washer -----	1
67	V-12757	Spring - Shock Absorber -----	1
68	V-12711	Washer - Shock Absorber Spring -----	1
	P-24551	Center Shaft Assy. Unit (Incls. items #2, 4, 5, 6, 20 & 26) -----	1
	M-24861-1	Worm Gear Shaft Sub-Assy. Unit (60 Cy.) (Incls. items #51, 52, 53, 55, 56, 57 & 60) -----	1
	M-24861-2	Worm Gear Shaft Sub-Assy. Unit (50 Cy.) (Incls. items #51, 52, 54, 55, 56, 57 & 60) -----	1



TRANSMISSION CASE AND SHIFTER UNIT

## TRANSMISSION CASE AND SHIFTER UNIT

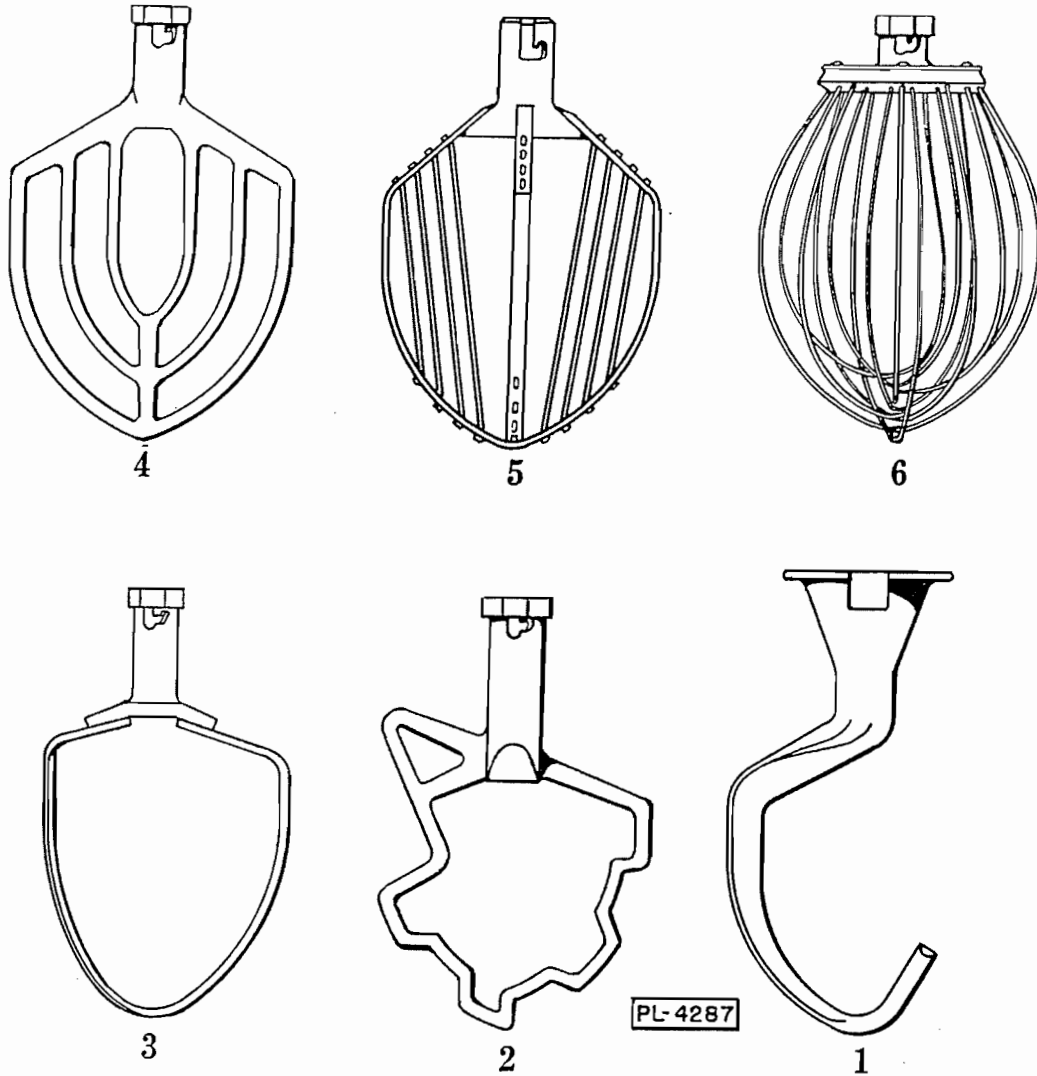
ILLUS. PL-3477	PART NO.	NAME OF PART	AMT.
1	FE-6-31	Connector - Strain Relief	1
2	S-63335-4	Cord & Plug (2 Cond., Under 125 V.)	1
3	S-63335-17	Cord & Plug (2 Cond., 200-250 V.)	1
4	S-63335-30	Cord & Plug (3 Cond., Under 150 V.)	1
5	S-63335-43	Cord & Plug (3 Cond., 200-250 V.)	1
6	BA-2-9	Ball - 1/4" Dia.	2
7	V-10755	Spring - Detent	2
8	P-12728	Handle - Shifter	1
9	SC-30-24	Mach. Screw - #10-24 x 1/2" Oval Hd.	4
10	P-12726	Plate - Shifter Index	1
11	M-23946	Gasket - Shifter Index Plate	1
12	PT-3-28	Taper Pin - #1 x 3/4" Lg.	1
13	NS-13-22	Full Nut - 3/8"-16 Hex Fin.	1
14	WL-4-2	Lock Washer - 3/8" x .136" x .070"	1
15	P-13160	Yoke - Shifter	1
16	M-12729	Cam - Gear Shifter	1
17	V-12733	Plunger - Shifter Yoke	2
18	V-12734	Spring - Shifter Yoke	2
19	V-12732	Retainer - Spring (Shifter Yoke)	2
20	P-87711-99-4	Switch (1 Ph.)	1
21	P-87711-99-2	Switch (2 & 3 Ph., Under 250 V.)	1
22	P-87711-57-1	Switch (2 & 3 Ph., Above 250 V.)	1
23	P-87810-19	Switch (D.C.)	1
24	P-16504	Insulator - Switch	2
25	M-74835	Screw - Switch Mounting	2
26	SC-30-6	Mach. Screw - #6-32 x 3/8" Oval Hd.	2
27	M-67514	Plate - Switch	1
28	T-12678	Case - Transmission	1
29	P-11800-116	Dowel	1
30	WL-3-28	Lock Washer - #12 x .062" x .047"	4
31	SC-8-51	Mach. Screw - #12-24 x 3/4" Rd. Hd.	4
32	P-67750	Transmission Shaft Support and Screw Assy. (Incls. items #33 & 34)	1
33	NS-9-36	Mach. Nut - #12-24 Hex	1
34	SC-8-56	Mach. Screw - #12-24 x 1-1/2" Rd. Hd.	1
35	M-64871	Plug - Friction	2
36	WL-3-28	Lock Washer - #12 x .062" x .047"	3
37	SC-8-48	Mach. Screw - #12-24 x 1/2" Rd. Hd.	3
38	WL-3-22	Lock Washer - #10 x .055" x .040"	4
39	SC-7-74	Mach. Screw - #10-24 x 3/8" Rd. Hd.	4
40	S-18231-1	Cover - Transmission Case	1
41	SC-15-54	Mach. Screw - #12-24 x 1-1/4" Oval Hd.	1
42	SC-15-55	Mach. Screw - #12-24 x 1-1/2" Oval Hd.	1
43	NS-9-36	Mach. Nut - #12-24 Hex	2
44	M-12708	Retainer - Twin Bearing	1
45	M-20394-2	Cap - Bearing Retainer	1
46	M-20395	Retainer - Bearing	1
47	P-11800-61	Dowel	2
48	M-12735	Rod - Shifter Guide	1
49	---	Motor (see separate Motor Parts Sheet)	1
	PL-3-14	Plug - 15/16" Dia. Expansion (Not Shown)	1
	PL-3-28	Plug - 1-5/16" Dia. Expansion (Not Shown)	1



PLANETARY AND ATTACHMENT HUB UNIT

## PLANETARY AND ATTACHMENT HUB UNIT

ILLUS. PL-3478	PART NO.	NAME OF PART	AMT.
1	OG-3-30	Oiler -----	1
2	SC-13-71	Mach. Screw - #12-24 x 3/4" Flat Hd. -----	4
3	P-22869	Plug - Attachment Hole -----	1
4	R-12686	Hub - Attachment -----	1
5	M-4202-2	Thumb Screw -----	1
6	M-12746	Washer - Thrust (Give Thk.) -----	As Reqd.
7	M-24889	Zerol Bevel Drive Gear (35T) & Plug Sub-Assy. Unit -----	1
8	M-24893-1	Internal Gear Sub-Assy. Unit (63T) (Incls. items #18 & 19) -----	1
9	P-15214	Cup - Drip -----	1
10	WL-3-35	Lock Washer - 1/4" x .047" x .078" -----	6
11	SC-38-6	Cap Screw - 1/4"-20 x 1-1/8" Fil. Hd. -----	6
12	V-15219	Spacer - Beater Shaft -----	1
13	M-65062-1	Pin -----	1
14	M-24883	Agitator Shaft Sub-Assy. Unit (Incls. item #13) -----	1
15	M-23482	Seal - Oil (1" I.D.) -----	1
16	BB-20-6	Ball Bearing - N.D. #7504 -----	1
17	S-23166	Planetary -----	1
18	BA-2-9	Ball - 1/4" Dia. -----	2
19	V-7094	Spring -----	2
20	BB-17-12	Ball Bearing - N.D. #7503 -----	1
21	M-15217	Pinion - Beater (19T) -----	1
22	R-12430-56	Key -----	1
23	WS-7-9	Washer - Special -----	1
24	V-11430	Nut - Special -----	2



AGITATORS

ILLUS. PL-4287	PART NO.	PART NO.	NAME OF PART	AMT.
	20 QT.	12 QT.		
1	S-23467	S-62886	"E" Dough Arm -----	1
2	R-8022	-----	"S" Sweet Dough Beater -----	1
3	R-74286	-----	"P" Pastry Knife -----	1
4	R-23126	R-23502	"B" Flat Beater -----	1
5	R-22755	-----	"C" Wing Whip -----	1
6	R-23511-1	R-23523-1	"D" Wire Whip -----	1