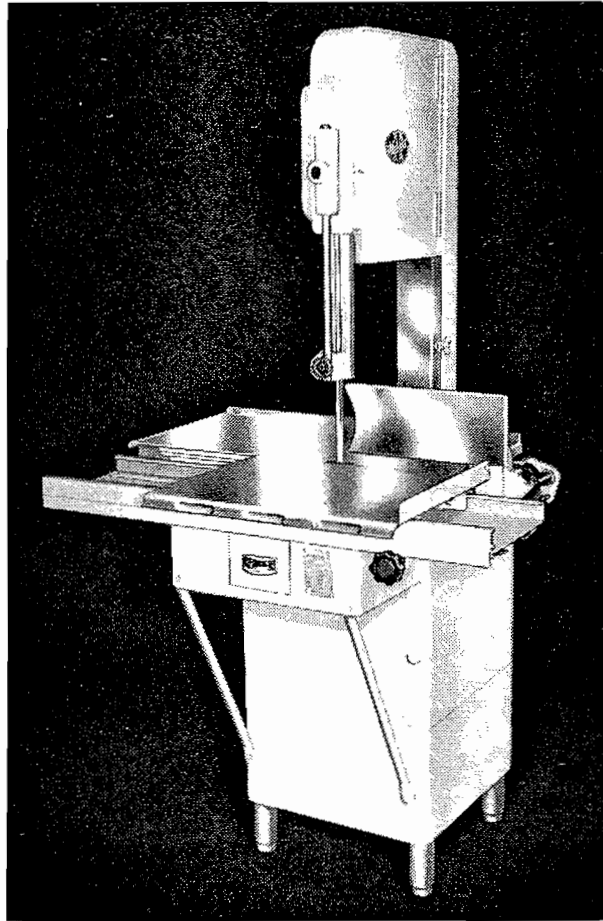


# INSTRUCTION MANUAL

*with Catalog of Replacement Parts*



## MODEL 5014 MEAT SAW

Spec. #8294 (60 Cy.)

Spec. #8736 (50 Cy.)



## THE HOBART MANUFACTURING COMPANY

*The World's Oldest and Largest Manufacturer of Computing Scales and  
Food Store, Kitchen, Bakery and Dishwashing Machines*

TROY, OHIO, U. S. A.

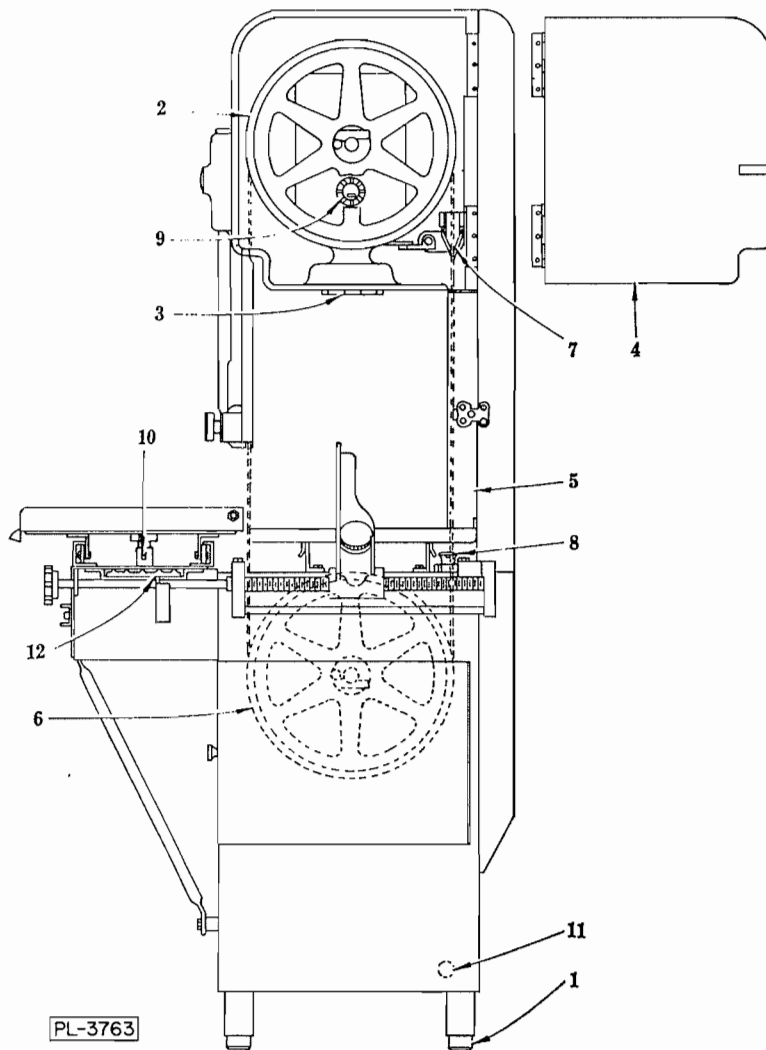


FIG. 1

## INSTRUCTIONS FOR MODEL 5014 MEAT SAW

### I. UNPACKING

Remove the shipping box that covers the saw. Next, unpack the following parts that were disassembled for shipping purposes; table assy., carriage assembly, base cover plate assy. (with front & rear tracks), front table rest, rear table rest, gage plate adjusting knob (with shaft), and feet. (Instructions for reassembly of these parts are given in section II, "Setting Up"). Remove the four retaining bolts from the underside of the skid.

### II. SETTING UP

(1) Place the machine in the location where it is to be used. Re-assemble the feet (1, Fig. 1). Place a spirit level on top of the base unit and adjust the feet in the legs so that the base unit is level from side to side and front to back.

(2) Remove the motor access panel on the left side of the machine. Assemble the base cover plate assy. (with tracks) using the two taper pins as locators. Next assemble the front and rear table rests, using the taper pins as locators.

(3) Assemble the gage plate adjusting knob with shaft into position and lock in place with the rollpin furnished.

(4) Lower the upper blade pulley (2, Fig.1) by giving the tension adjustment hand wheel (3, Fig. 1) a few turns to the left. Open the head door (4, Fig. 1), then unlatch and open the column cover (5, Fig. 1). Lift the knurled hand knob (1, Fig. 4) and raise the gage plate (2, Fig.4) to its stopped position. Lift out the lower front wiper unit (Fig. 3) and lower the upper guide unit (Fig. 2) to its lowest position. Place the saw

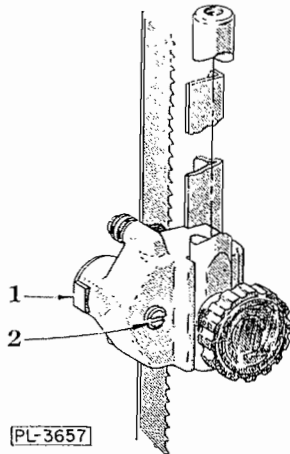


FIG. 2

blade over the upper blade pulley (2, Fig. 1) and lower blade pulley (6, Fig. 1). The teeth must point to the right and downward when viewed from the front as shown in Fig. 3. If they do not point downward, remove the blade, twist inside out and replace it on the saw. Make sure the blade is properly centered in the upper blade wiper (7, Fig. 1), the lower rear blade wiper (8, Fig. 1), and properly placed in the upper guide unit (Fig. 2). Turn the tension adjustment hand wheel (3, Fig. 1) to the right until the tension indicator (9, Fig. 1) reads "2". Give the upper blade pulley a few turns by hand so that the blade centers itself on the pulleys. Then turn the tension adjustment hand wheel slowly to the right until the indicator registers approximately "4". This is the best operating tension for the blade.

NOTE: See Paragraph IX for adjustment of blade back-up blocks.

(5) Close the head door (4, Fig. 1) and column cover (5, Fig. 1).

(6) Assemble the lower front wiper unit (Fig. 3). Before sliding it into place, swing up the bakelite guard (1, Fig. 3) and see that the saw blade is between the two wipers (2, Fig. 3) and in the guide slot of steel block (3, Fig. 3). After sliding the unit into place, close down the bakelite guard (1, Fig. 3).

(7) With the gage plate (2, Fig. 4) in the raised position (clear of the table area), assemble the table (3, Fig. 4). The table is positioned by the locating slots (4, Fig. 3) in the table rest angles of the base. Make sure the reinforcing angles of the table are outside the table rest angles of the base. Lock the table in place by the spring catch (4, Fig. 4).

(8) The carriage may be assembled from either side. When rolling the carriage into place depress the carriage stop (10, Fig. 1). After this stop is released, the carriage will then be retained from rolling off.

### III. WIRING

Check the data on the name plate (5, Fig. 4) to make sure that it agrees with your electrical supply before connecting to the power line. Make your installation connection from the power line directly to the switch. To avoid having conduit at the front of the machine, it is recommended that flexible (or rigid) conduit be connected through the electrical inlet hole in the base (11, Fig. 1). The conduit connector on the end of the motor lead conduit should be assembled in the knock-out hole in the switch box. Next connect the motor leads to the switch.

Be sure to use wire large enough to meet your local code requirements. For proper performance use wire sizes of NOT LESS than #10 gage for 115 V., or #14 gage for 230 V. on single phase models. Use #14 gage for 208, 220, and 440 V. on three phase models. For long runs, between power inlet and saw, use a larger size.

### IV. SAFETY FEATURES

The Hobart saw is provided with safety devices to give maximum protection to the operator. Keep the guards in place at all times.

(1) UPPER GUIDE ASSEMBLY (Fig. 2): Keep as low as the size of the work permits.

(2) DOORS: Keep all doors closed while the machine is running.

(3) BUTT-END PUSHER (6, Fig. 4): Use the pusher plate as described in paragraph VI and it will be unnecessary to hold your hand near the running saw blade.

(4) GAGE PLATE: The end of the gage plate (2, Fig. 4) is shaped to give maximum support and protection at this critical point, and at the same time, facilitate the taking off of slices.

### V. LUBRICATION

Very little lubrication is required, because all the high-speed shafts have either roller or ball bearings which are grease packed and will operate a long time without attention.

(1) Keep a small amount of grease in the six ball bearing rollers on the carriage.

(2) Apply a few drops of oil occasionally to the gage plate screw (7, Fig. 4) and work the gage plate assembly back and forth a few times.

(3) Once a year, have a Hobart Service man look over the motor and main bearing carriers.

### VI. OPERATION

Place the item to be cut on the carriage and turn on the motor switch. Stand in front of the

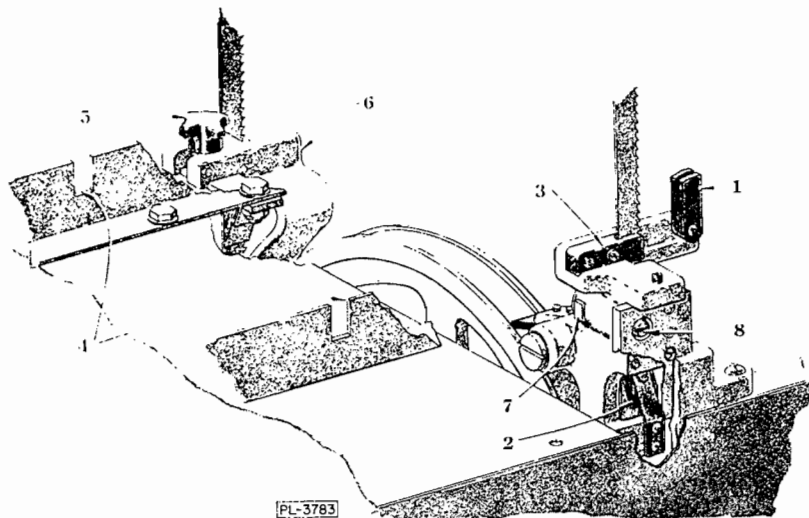


FIG. 3

machine, leaning lightly against the scalloped front of the carriage and move the carriage to the left, past the saw blade, at a steady and uniform rate. Your left hand will then be free to take away and stack the items as they are cut off. Make it a habit to move your hand around the left side, or back of the saw blade, when reaching for an item—NEVER IN FRONT OF THE TEETH. On the return stroke, pull the item toward you so that it clears the saw blade.

The saw cuts through bone and meat alike, and no preliminary preparation with the butcher knife is necessary as with a hand saw.

When cutting slices of uniform thickness, set the gage plate at the desired point with adjusting knob (8, Fig. 4) on the scale etched on the table. If the gage plate is not needed and interferes with the work, it may be raised out of the way. Lift the release knob (1, Fig. 4) and slide the gage plate on back to the end of gage plate screw (7, Fig. 4). The gage plate may be swung to a raised position at any setting along the gage plate screw without lifting the release knob.

To slice short ends, use the pusher plate (6, Fig. 4) to hold the meat against the gage plate. A slot in the pusher plate slips over and slides along the edge of the carriage. By holding the pusher plate with your right hand, your hand will then always be a safe distance from the saw blade and the stop will prevent the pusher plate from going too far. When not using the pusher plate, keep it stored beneath the carriage track, where provision has been made for holding it (12, Fig. 1).

## VII. CLEANING

It is very important that any machine used in preparation of food be kept in a clean and sanitary condition. This saw has been designed

to make cleaning a quick and easy job.

Daily cleaning is recommended.

### SUGGESTED CLEANING PROCEDURE:

(1) Roll carriage to extreme right or left. This exposes the carriage stop. Depress carriage stop and roll off stainless carriage.

(2) Rotate gage plate to raised position.

(3) Release spring catch and remove stainless steel table.

(4) Loosen the hand knob (9, Fig. 4), bump with hand to loosen stud and then remove the hand knob. Open head door and lift out upper blade wiper. Clean unit and lubricate with TASTELESS oil.

(5) Swing lower saw blade guard (1, Fig. 3) up and lift out lower wiper assembly. Clean unit thoroughly and lubricate with TASTELESS oil.

(6) Loosen hand knob (5, Fig. 3) and remove lower rear blade wiper (6, Fig. 3). Clean unit.

(7) Open base door and remove scrap pan.

(8) Release blade tension by turning tension adjustment hand wheel to the left. Open head door, unlatch and open the column cover. Remove saw blade.

(9) To remove the upper guide unit, remove the hand knob (10, Fig. 4) (blade tension already released) then lift off unit. Clean, lubricate with TASTELESS oil and replace.

(10) The upper and lower blade pulleys may be removed from their shafts by swinging the retaining latches clear of the shafts, then sliding the pulley from the shaft. Clean pulleys and lubricate bore before replacing.

All areas are now exposed for easy and thorough cleaning.

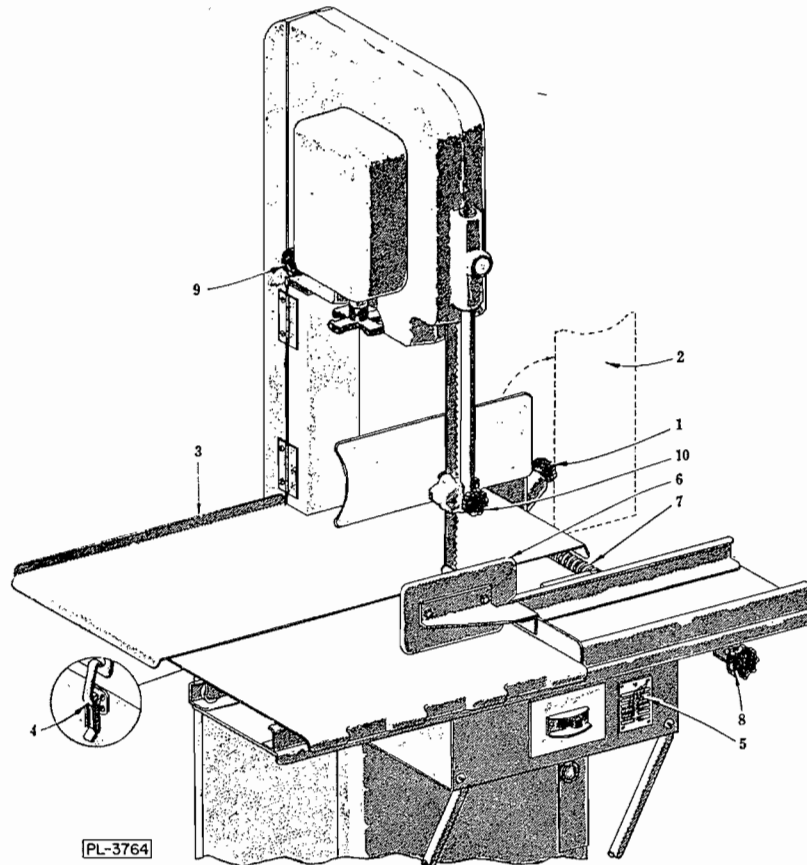


FIG. 4

NOTE: When replacing pulleys, make sure that pulley latches are properly seated in grooves of shaft. Also the blade and pulley wipers must be in proper operating positions.

### VIII. CHANGING SAW BLADES

This meat saw is so designed that the saw blade may be quickly and easily replaced. Use the following method for replacement:

(1) Move the carriage to the left to the stop, then depress the stop and move the carriage a few more inches just beyond the bakelite guard.

(2) Rotate gage plate to raised position.

(3) Lower upper blade pulley by turning tension adjustment hand wheel to left.

(4) Open head door, unlatch and open column cover.

(5) Swing up lower blade guard (1, Fig. 3) and remove blade.

(6) Put on the new blade, turn the tension adjustment hand wheel to the right until the indicator reads "2". Turn the upper blade pulley

(2, Fig. 1) by hand to center the blade. Then turn the tension adjustment hand wheel until the indicator registers approximately "4". Close lower blade guard (1, Fig. 3). Make sure that front and rear lower blade wipers and the upper blade wiper (7, Fig. 1) are on both sides of the blade.

### IX. ADJUSTMENT OF BLADE BACK-UP BLOCK

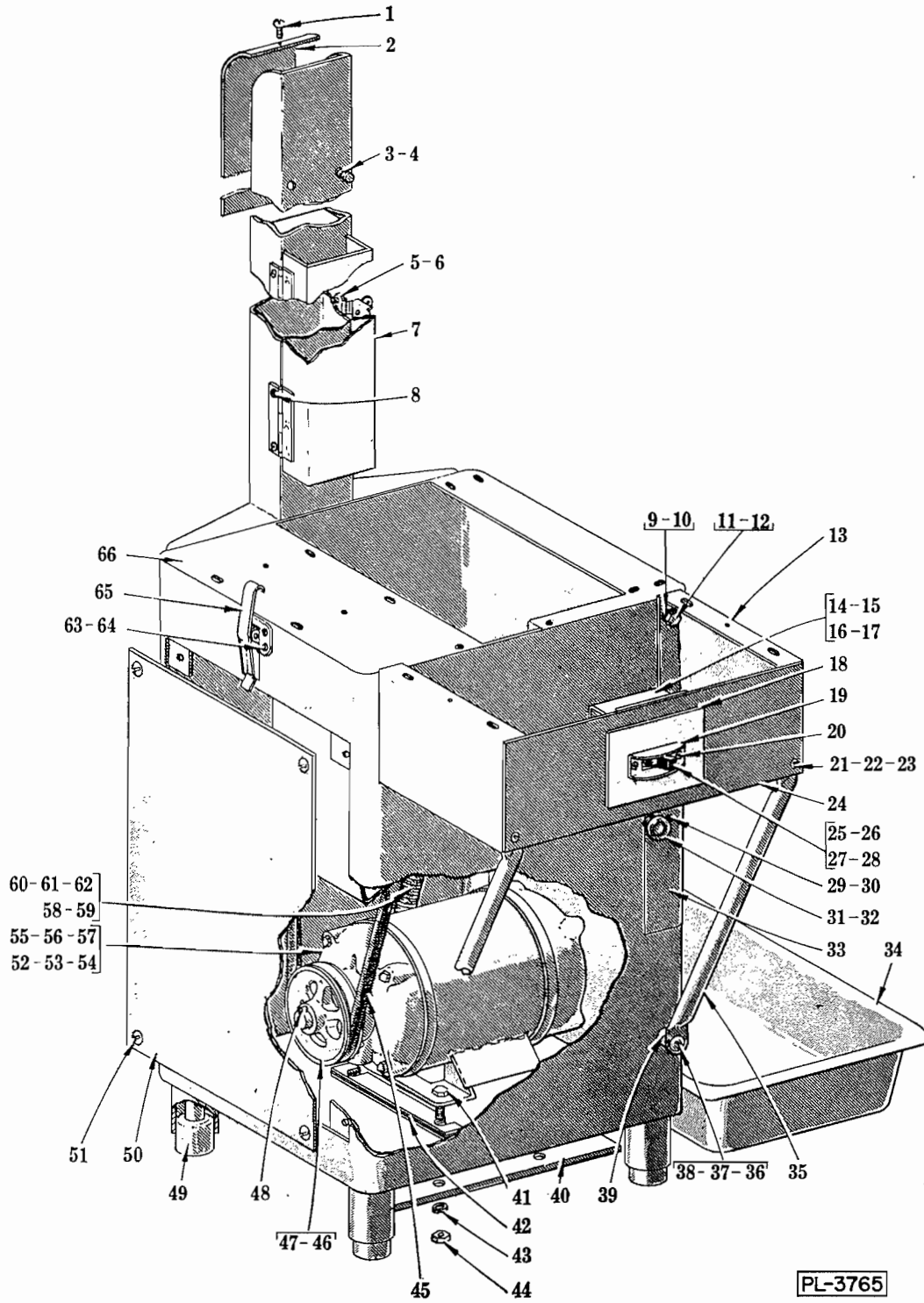
At the back edge of the saw blade in the upper guide (1, Fig. 2) and the front lower wiper unit (7, Fig. 3) are hardened blade back-up blocks which take the cutting thrust. The clearance between these blocks and the blade, with the saw running without load, should be approximately  $1/32''$ . Always check this dimension after changing blades. These back-up blocks should be adjusted to suit any variation in blade widths.

NOTE: Adjust the upper back-up block (1, Fig. 2) by turning screw (2, Fig. 2) and lower back-up block (7, Fig. 3) by turning the screw (8, Fig. 3).

### X. BLADE REPLACEMENT

Two saw blades are furnished as regular equipment with every machine. Replacement blades are available thru all Hobart offices.

HOBART REPLACEMENT PARTS



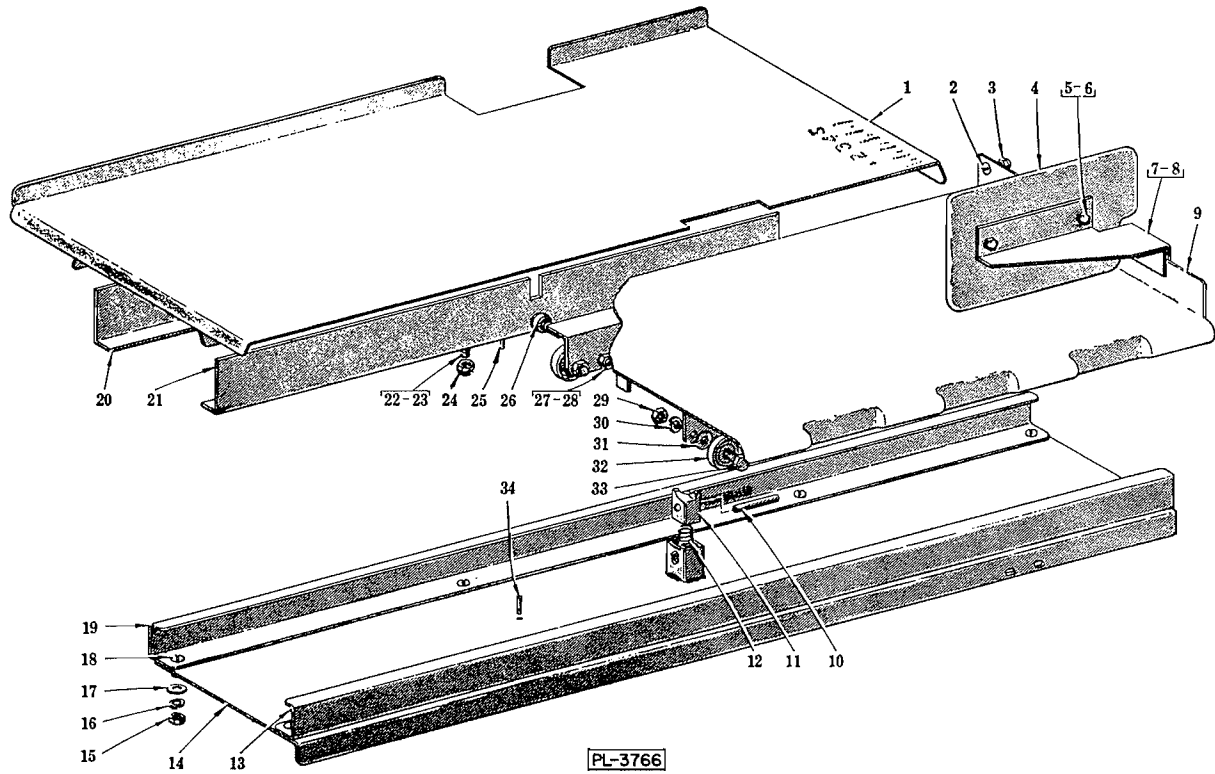
MAIN FRAME & BASE UNIT

**HOBART REPLACEMENT PARTS**

**MAIN FRAME & BASE UNIT**

ILLUS. PL-3765	PART NO.	NAME OF PART	AMT.
1	SC-10-15	Mach. Screw - #10-24 x 1/2" Truss Hd. -----	3
2	S-71847	Cover - Column Top -----	1
3	SC-36-50	Fin. Bolt - 3/8"-16 x 1/2" Hex Hd. -----	8
4	WL-4-2	Lock Washer - 3/8" x .136" x .070" -----	8
5	SC-21-8	Mach. Screw - #6-32 x 3/8" Rd. Hd. -----	2
6	M-72200	Catch - Cover Clamp -----	1
7	R-71826	Cover Assy. -----	1
8	SC-53-5	Mach. Screw - #10-24 x 3/8" Truss Hd. -----	4
9	WS-6-11	Washer -----	8
10	WL-4-2	Lock Washer - 3/8" x .136" x .070" -----	4
11	SC-36-54	Fin. Bolt - 3/8"-16 x 1" Hex Hd. -----	4
12	NS-13-22	Full Nut - 3/8"-16 Hex Fin. -----	4
13	S-71815	Gusset - Track Support -----	2
14	P-67300	Switch Box Assy. -----	1
15	SC-9-28	Mach. Screw - #10-24 x 3/8" Rd. Hd. -----	2
16	WL-3-20	Lock Washer - #10 x .055" x .040" -----	2
17	NS-9-24	Mach. Nut - #10-24 Hex -----	2
18	P-71380	Plate - Switch Cover -----	1
19	M-14506-3	Shield - Switch -----	1
20	SC-9-44	Mach. Screw - #6-32 x 1/2" Rd. Hd. -----	2
21	SC-9-10	Mach. Screw - 3/8"-16 x 3/4" Rd. Hd. -----	2
22	WL-4-4	Lock Washer - 3/8" x .136" x .070" -----	2
23	NS-13-22	Full Nut - 3/8"-16 Hex Fin. -----	2
24	R-71886	Front Assy. -----	1
25	SC-13-14	Mach. Screw - #6-32 x 3/8" Flat Hd. -----	2
26	R-24940-2	Switch (2 & 3 Phase, Below 250 V.) -----	1
27	R-24940-4	Switch (1 Phase, Below 250 V.) -----	1
28	SS-3-26	Switch (2 & 3 Phase, Above 250 V.) -----	1
29	SC-7-74	Mach. Screw - #10-24 x 3/8" Rd. Hd. -----	2
30	NS-9-21	Mach. Nut - #10-24 Hex -----	1
31	M-23274	Knob - Door -----	1
32	M-68176	Clip - Base Door Spring -----	1
33	R-67259	Base Door Assy. -----	1
34	R-67327	Pan - Scrap -----	1
35	S-71221	Brace - Base Plate Support -----	2
36	SC-60-65	Mach. Screw - 3/8"-16 x 1-1/2" Rd. Hd. -----	2
37	WL-4-4	Lock Washer - 3/8" x .136" x .070" -----	2
38	NS-13-22	Full Nut - 3/8"-16 Hex Fin. -----	2
39	M-62525	Spacer -----	2
40	P-67593	Reinforcement - Base -----	2
41	SC-36-57	Fin. Bolt - 3/8"-16 x 1-1/4" Hex Hd. -----	4
42	M-67305	Booster - Motor -----	As Reqd.
43	WL-4-2	Lock Washer - 3/8" x .136" x .070" -----	4
44	NS-13-22	Full Nut - 3/8"-16 Hex Fin. -----	4
45	BV-4-14	"V" Belt (60 Cy.) -----	4
46	R-67309-1	"V" Pulley - Motor (4.80" O.D.) (60 Cy.) (Incls. item #47) -----	1
47	SC-47-31	Set Screw - 5/16-18 x 5/16" Soc. Hdls. Kn. Cup Pt. -----	1
48	R-12430-62	Key -----	1
49	M-71335-2	Foot & Stud Assy. -----	4
50	S-67264	Panel - Motor Access -----	1
51	SC-10-33	Mach. Screw - #10-24 x 1/2" Truss Hd. -----	4
52	S-71466-1	Motor - 1 Phase 115/230 V. 60 Cy. -----	1
53	S-71466-2	Motor - 1 Phase 208 V. 60 Cy. -----	1
54	S-71466-3	Motor - 1 Phase 120/240 V. 50 Cy. -----	1
55	S-71467-1	Motor - 3 Phase 208/220/440 V. 60 Cy. -----	1
56	S-71467-2	Motor - 3 Phase 550 V. 60 Cy. -----	1
57	S-71467-3	Motor - 3 Phase 220/380 V. 50 Cy. -----	1
58	P-24127-89	Conduit - 1/2" x 32" Flex -----	1
59	BF-2-19	Bushing - 1/2" Anti-Short -----	2
60	FE-2-17	Connector - 90° (1/2" Male Thd. x 1/2" Flex. Cnd.) -----	2
61	FE-6-38	Reducer - 3/4" to 1/2" (Female Cnd.) -----	1
62	FE-6-6	Lock Nut - 3/4" Cnd. -----	1
63	SC-10-33	Mach. Screw - #10-24 x 1/2" Truss Hd. -----	4
64	NS-31-12	Stop Nut - #10-24 "Elastic" -----	4
65	P-71437	Clamp - Table -----	1
66	T-71830	Base Assy. -----	1
	R-67309-3	"V" Pulley - Motor (6.20" O.D.) (50 Cy.) (Incls. item #47) -----	1
	BV-4-16	"V" Belt (50 Cy.) -----	1
	M-74022	Shim - Head (Not Shown) -----	As Reqd.

**HOBART REPLACEMENT PARTS**

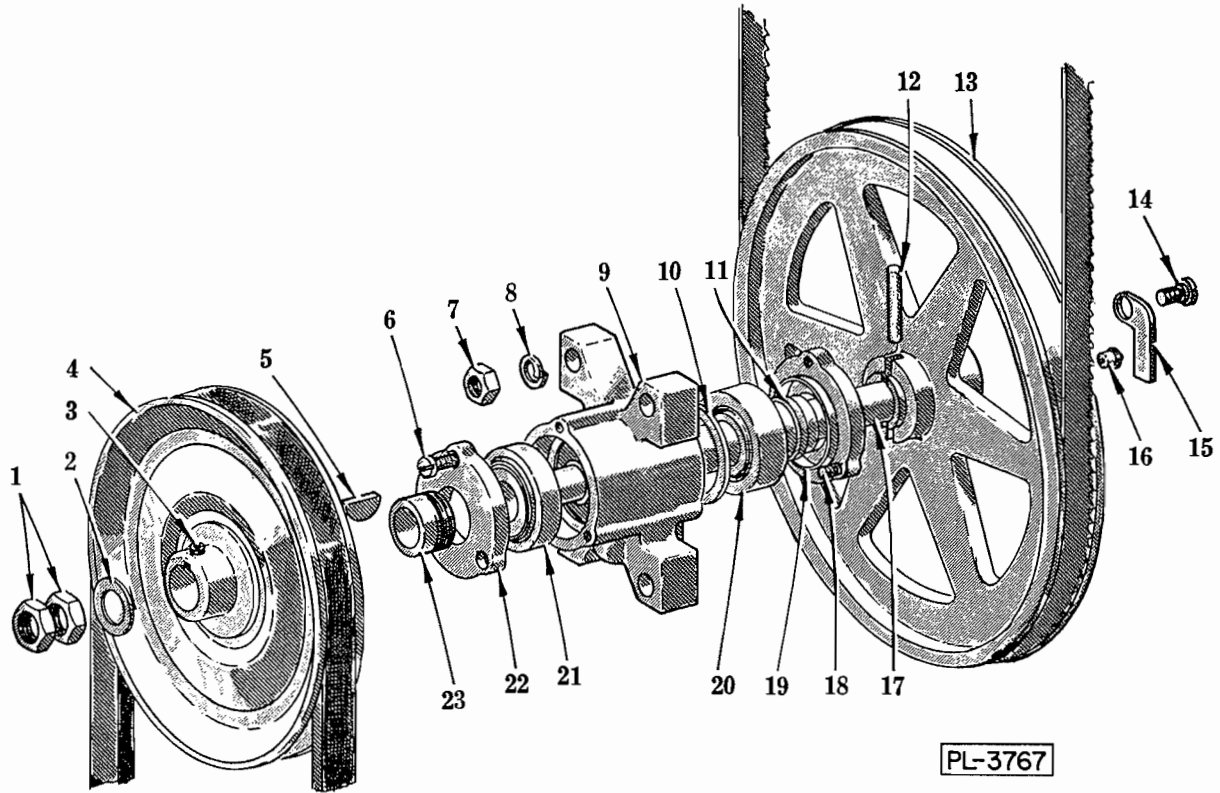


**TABLE, CARRIAGE & TRACK UNIT**

ILLUS. NO.	PART NO.	NAME OF PART	AMT.
1	S-71755	Table Assy. -----	1
2	SC-10-48	Mach. Screw - #10-24 x 1/4" Truss Hd. -----	1
3	NS-27-2	Acorn Nut - #10-24 -----	1
4	R-71429	Plate - Pusher -----	1
5	SC-15-34	Mach. Screw - #10-24 x 1/2" Oval Hd. -----	2
6	NS-24-15	Acorn Nut - #10-24 -----	2
7	P-71975	Pusher Plate Bracket Assy. -----	1
8	R-72061	Pusher Plate Assy. (Incls. items #4, 5, 6 & 7) -----	1
9	R-71879	Carriage Sub-Assy. -----	1
10	RP-3-5	Rollpin - 1/4" dia. x 2" Lg. -----	1
11	M-72576	Stop - Carriage -----	1
12	M-67317	Spring - Carriage Stop -----	1
13	R-71814	Track - Front -----	1
14	S-71878	Base Cover Plate Assy. -----	1
15	NS-13-11	Full Nut - 5/16"-18 Hex Fin. -----	8
16	WL-3-44	Lock Washer - 5/16" x .125" x .078" -----	8
17	WS-4-25	Washer -----	8
18	SC-8-88	Mach. Screw - 5/16"-18 x 3/4" Rd. Hd. -----	8
19	R-71813	Track - Back -----	1
20	R-71811	Rest - Rear Table -----	1
21	R-71812	Rest - Front Table -----	1
22	WS-4-25	Washer -----	4
23	SC-36-27	Fin. Bolt - 5/16"-18 x 1" Hex Hd. -----	4
24	NS-31-27	Stop Nut - 5/16"-18 "Elastic" -----	4
25	PT-3-59	Taper Pin - #4 x 3/4" Lg. -----	2
26	M-67245	Thrust Plug & Holder Assy. -----	2
27	WL-3-44	Lock Washer - 5/16" x .125" x .078" -----	2
28	NS-17-8	Jam Nut - 5/16"-18 Hex Fin. -----	4
29	NS-13-25	Full Nut - 3/8"-16 Hex Fin. -----	6
30	WL-4-4	Lock Washer - 3/8" x .136" x .070" -----	6
31	WS-18-5	Washer -----	6
32	BB-8-2	Ball Bearing - Nice #400-24 -----	6
33	SC-37-73	Fin. Bolt - 3/8"-16 x 1" Hex Hd. -----	6
34	PT-3-59	Taper Pin - #4 x 3/4" Lg. -----	2
	M-72895	Carriage Assy. Unit (Incls. items #2, 3, 9, 26, 27, 28, 29, 30, 31, 32 & 33) -----	1



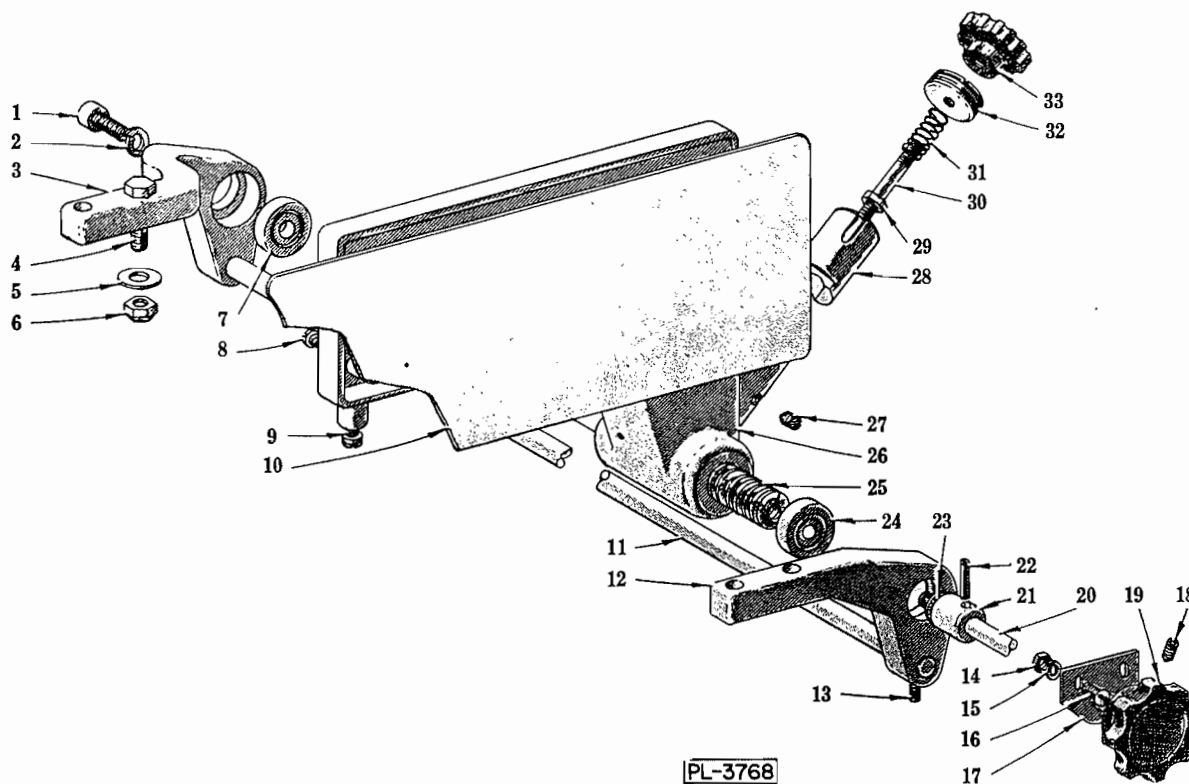
HOBART REPLACEMENT PARTS



LOWER BEARING CARRIER UNIT

ILLUS. NO.	PART NO.	NAME OF PART	AMT.
1	NS-17-49	Jam Nut - 3/4"-16 Hex Fin. -----	2
2	WS-11-24	Washer -----	1
3	SC-47-32	Set Screw - 5/16"-18 x 5/16" Soc. Hdless. Cup Pt. -----	1
4	R-71903	"V" Pulley - Bearing Carrier (10" O.D.) (Incls. item #3) -----	1
5	KW-3-15	Key - #807 Woodruff -----	1
6	SC-12-69	Mach. Screw - 1/4"-20 x 1/2" Fil. Hd. -----	3
7	NS-13-30	Full Nut - 1/2"-13 Hex Fin. -----	8
8	WL-8-31	Lock Washer - 1/2" Int. Shakeproof -----	8
9	R-67207	Carrier - Lower Bearing -----	1
10	RR-6-1	Retaining Ring -----	2
11	M-67307	Quad Ring -----	1
12	PG-7-23	Groov-Pin - Type #5, 5/16" x 1-3/4" -----	1
13	R-72363	Flanged Pulley (Blade) Sub-Assy. Unit (Incls. items #14, 15, & 16) -----	1
14	V-20851	Screw - Latch -----	1
15	M-20852	Latch -----	1
16	M-24114	Catch - #8-1/2 Frost -----	1
17	P-67242	Shaft - Lower Bearing Carrier -----	1
18	SC-12-69	Mach. Screw - 1/4"-20 x 1/2" Fil. Hd. -----	3
19	M-67870	Bearing Cap & Quad Ring Sub-Assy. (Incls. item #11) -----	1
20	BR-2-16	Roller Bearing -----	1
21	BR-2-16	Roller Bearing -----	1
22	P-67203	Cap - Bearing Carrier ("V" Belt Side) -----	1
23	M-67243	Conveyor - Lower Bearing Carrier Grease -----	1
	R-67871	Lower Bearing Carrier (Less Pulley) Sub-Assy. (Incls. items #6, 9, 10, 12, 17, 18, 19, 20, 21 & 22) -----	1

# HOBERT REPLACEMENT PARTS

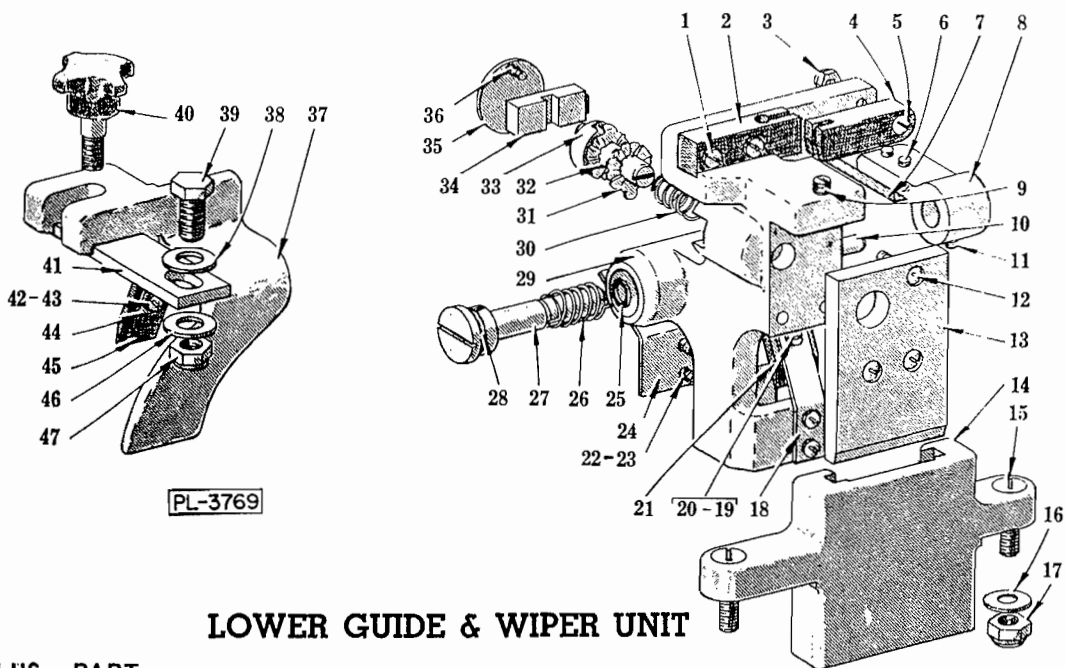


PL-3768

## GAGE PLATE UNIT

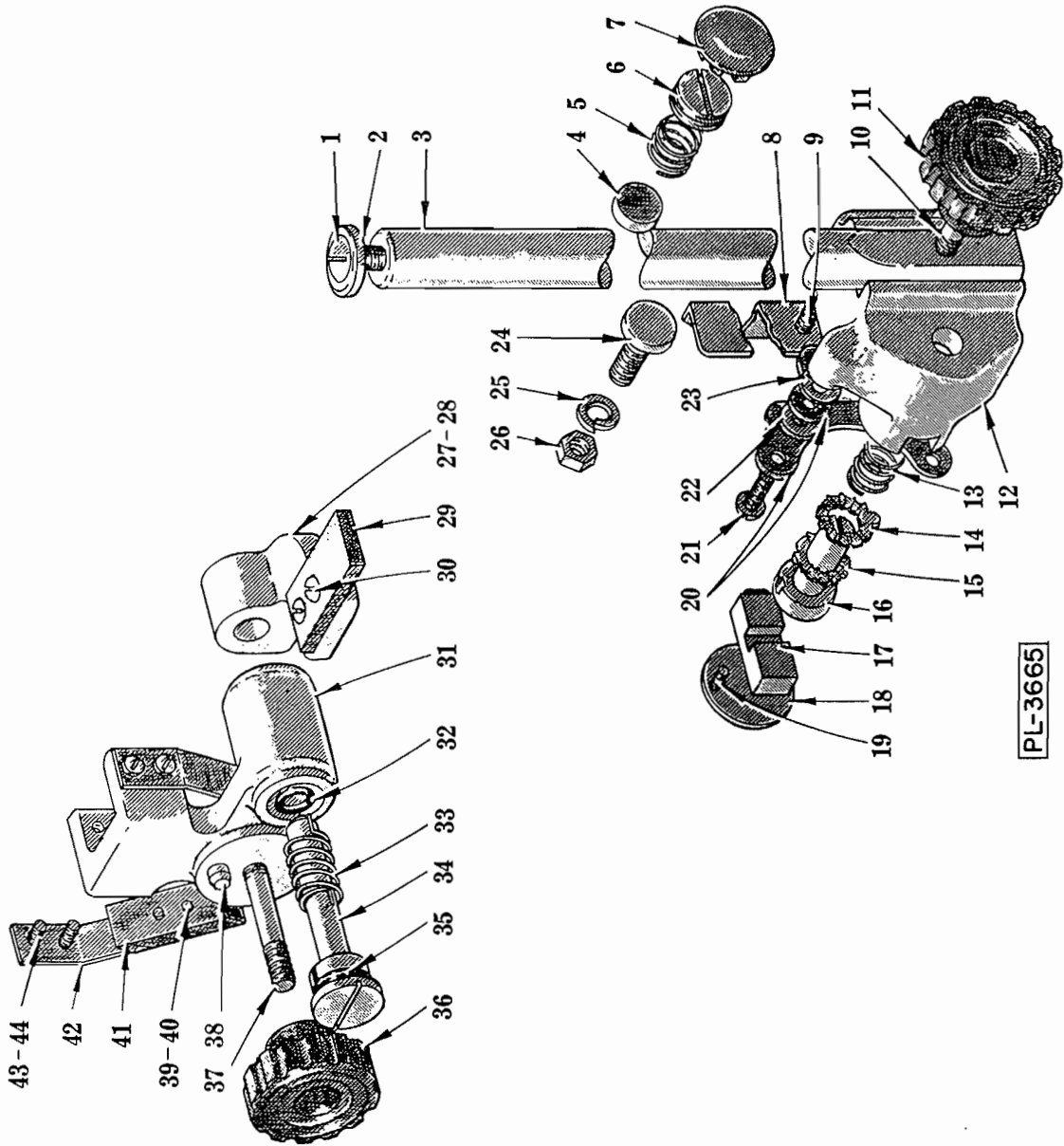
ILLUS. PL-3768	PART NO.	NAME OF PART	AMT.
1	SC-40-70	Cap Screw - 3/8"-16 x 1" Soc. Fil. Hd. -----	1
2	WL-4-2	Lock Washer - 3/8" x .136" x .070" -----	1
3	R-71743	Bracket - Rear Support -----	1
4	SC-36-59	Fin. Bolt - 3/8"-16 x 1-1/2" Hex Hd. -----	1
5	WS-6-11	Washer -----	4
6	NS-31-47	Stop Nut - 3/8"-16 "Elastic" -----	4
7	BB-8-2	Ball Bearing - Nice #400-24 -----	1
8	SC-10-33	Mach. Screw - #10-24 x 1/2" Truss Hd. -----	3
9	M-67314	Mach. Screw - Gage Plate (Nylon) -----	1
10	R-67247	Gage Plate & Weld Stud Assy. -----	1
11	M-71752	Rod - Gage Plate Stop -----	1
12	R-71744	Bracket - Front Support -----	1
13	SC-47-9	Set Screw - 1/4"-20 x 1/4" Soc. Hdls. Kn. Cup Pt. -----	2
14	NS-9-21	Mach. Nut - #10-24 Hex -----	2
15	WL-3-20	Lock Washer - #10 x .055" x .040" -----	2
16	SC-7-77	Mach. Screw - #10-24 x 1/2" Rd. Hd. -----	2
17	M-71406	Support - Gage Plate Rod -----	1
18	SC-47-15	Set Screw - 1/4"-20 x 1/2" Soc. Hdls. Kn. Cup Pt. -----	1
19	M-71511	Knob - Gage Plate Adjusting -----	1
20	P-71375	Shaft - Gage Plate Extension -----	1
21	M-71374	Adapter - Gage Plate Screw -----	1
22	RP-3-14	Rollpin - 3/16" dia. x 7/8" Lg. -----	1
23	WL-8-26	Lock Washer - 3/8" Int. Shakeproof -----	1
24	BB-8-2	Ball Bearing - Nice #400-24 -----	1
25	P-71749	Screw - Gage Plate -----	1
26	P-67313-1	Gage Plate Support & Bushing Assy. -----	1
27	SC-63-26	Set Screw - 1/4"-20 x 1/4" Flat Pt. -----	2
28	M-69595	Half Nut - Gage Plate -----	1
29	NS-17-6	Jam Nut - 5/16"-18 Hex Fin. -----	1
30	M-67150	Stud - Gage Plate -----	1
31	V-7433-2	Spring -----	1
32	M-67191	Retainer - Gage Plate Half Nut -----	1
33	M-67315	Knob -----	1
	S-67170-1	Gage Plate Assy. (Incls. items # 8, 9, 10, 26, 27, 28, 29, 30, 31, 32 & 33) -----	1

# HOBART REPLACEMENT PARTS



## LOWER GUIDE & WIPER UNIT

ILLUS. NO.	PART NO.	NAME OF PART	AMT.
1	SC-12-76	Mach. Screw - #10-24 x 1" Fil. Hd. -----	2
2	M-71369	Guide - Saw Blade -----	1
3	NS-9-24	Mach. Nut - #10-24 Hex -----	1
4	M-71363	Guard - Saw Blade -----	1
5	SC-9-55	Mach. Screw - #10-24 x 1-1/4" Rd. Hd. -----	1
6	SC-10-33	Mach. Screw - #10-24 x 1/2" Truss Hd. -----	2
7	M-71368	Wiper - Blade Pulley -----	1
8	P-71358	Bracket - Scraper Pivot -----	1
9	SC-63-21	Set Screw - #10-24 x 5/16" Flat Pt. -----	2
10	P-11800-244	Dowel -----	1
11	SC-75-5	Set Screw - #10-24 x 1/4" Soc. Hdls. Kn. Cup Pt. -----	1
12	SC-12-69	Mach. Screw - 1/4"-20 x 1/2" Fil. Hd. -----	3
13	P-71372	Slide - Lower Wiper Brkt. -----	1
14	R-71725	Slideway - Wiper Brkt. -----	1
15	SC-8-94	Mach. Screw - 5/16"-18 x 1-1/4" Rd. Hd. -----	2
16	WS-4-25	Washer -----	2
17	NS-31-27	Stop Nut - 5/16"-18 "Elastic" -----	2
18	M-67185	Spring - Scraper Blade -----	2
19	SC-21-85	Mach. Screw - #8-32 x 3/16" Rd. Hd. -----	4
20	WL-6-1	Lock Washer - #8 x .047" x .031" -----	4
21	M-67184	Blade - Scraper -----	2
22	SC-21-14	Mach. Screw - #8-32 x 3/8" Rd. Hd. -----	4
23	WL-6-1	Lock Washer - #8 x .047" x .031" -----	4
24	M-72443	Shield - Lower Pulley -----	1
25	R-67500-2	"O" Ring -----	1
26	M-71364	Spring - Blade Pulley Wiper -----	1
27	P-71376	Shaft - Lower Wiper Brkt. -----	1
28	R-67500-7	"O" Ring -----	1
29	S-71360	Bracket - Lower Wiper -----	1
30	V-23326	Spring - Adj. Blade Guide -----	1
31	M-23275	Lock Washer - Adj. Blade (Stat.) -----	1
32	M-23328	Lock Washer - Adj. Blade (Rot.) -----	1
33	M-71382	Shaft - Back-Up Block -----	1
34	M-71373	Block - Blade Back-Up -----	1
35	M-71377	Retainer - Blade Back-Up Block -----	1
36	SC-7-24	Mach. Screw - #6-32 x 3/8" Rd. Hd. -----	2
37	R-72365	Bracket - Wiper -----	1
38	WS-6-26	Washer -----	1
39	SC-37-73	Fin. Bolt - 3/8"-16 x 1" Hex Hd. -----	1
40	P-70200	Screw - Retaining -----	1
41	M-72372	Support - Wiper Bracket -----	1
42	SC-21-85	Mach. Screw - #8-32 x 3/16" Rd. Hd. -----	4
43	WL-6-1	Lock Washer - #8 x .047" x .031" -----	4
44	M-67185	Spring - Scraper Blade -----	1
45	M-67184	Blade - Scraper -----	1
46	WS-6-26	Washer -----	1
47	NS-31-47	Stop Nut - 3/8"-16 "Elastic" -----	1
	M-74612	Spring - Back up (use with item 18) -----	2
	P-72461	Wiper Brkt. & Wiper Assy. (Incls. item #37, 42, 43, 44 & 45) -----	1
	S-71378	Lower Wiper & Guide Unit Assy. (Incls. items #1 to 13 inclusive & #18 to 36 inclusive) -----	1



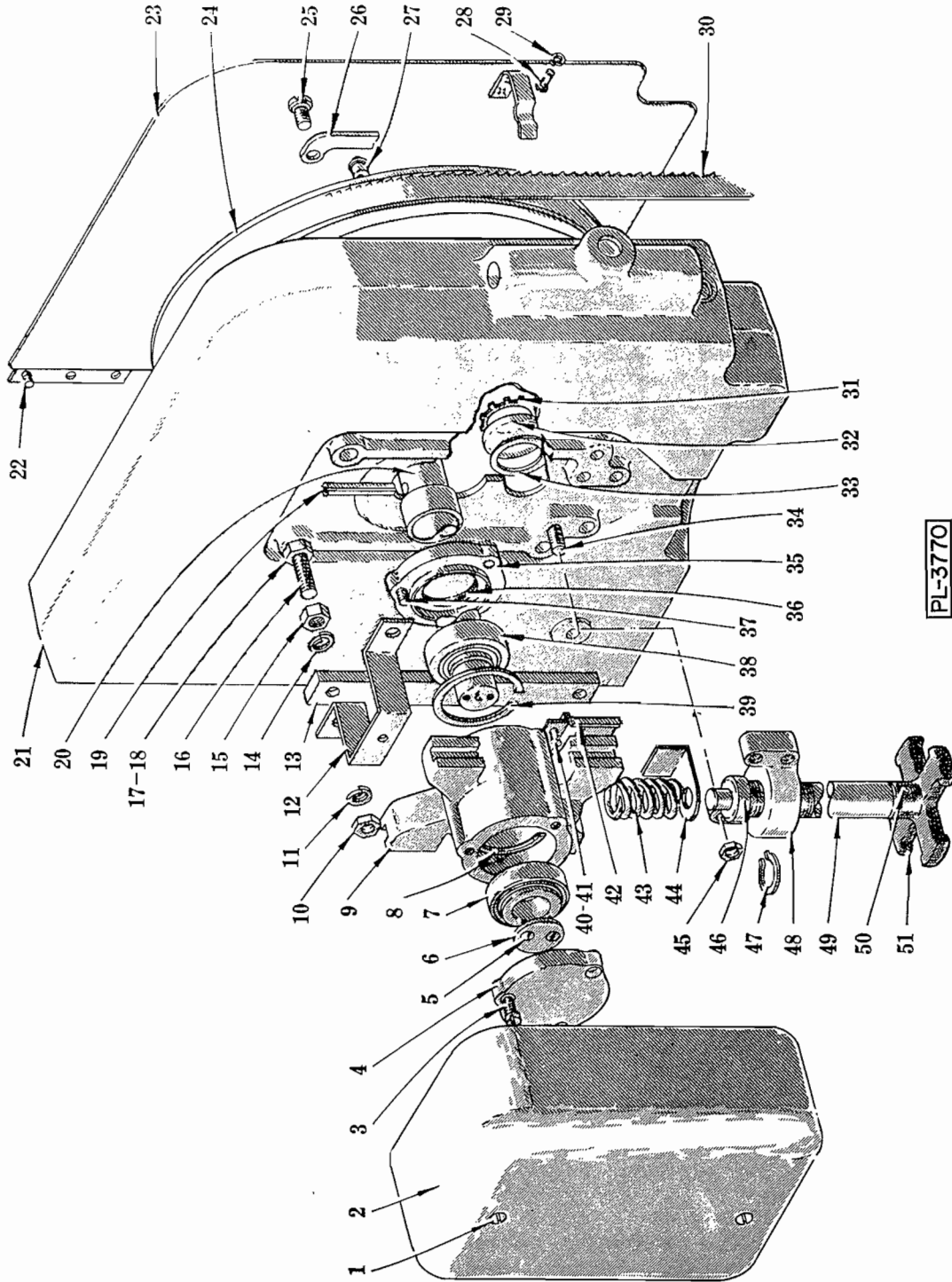
PL-3665

UPPER GUIDE AND WIPER UNIT

**HOBART REPLACEMENT PARTS**

**UPPER GUIDE AND WIPER UNIT**

ILLUS. PL-3665	PART NO.	NAME OF PART	AMT.
1	SC-53-16	Mach. Screw - 5/16"-18 x 5/8" Truss Hd. -----	1
2	M-69849	Stop - Slide Rod -----	1
3	P-71370	Rod - Upper Blade Guide Slide -----	1
4	M-67239	Shoe - Slide Rod -----	1
5	V-12734	Spring -----	1
6	M-67427	Set Screw - Upper Guide -----	1
7	PB-2-26	Plug Button -----	1
8	P-71397-1	Guard - Upper Guide Blade -----	1
9	SC-10-33	Mach. Screw - #10-24 x 1/2" Truss Hd. -----	2
10	V-21158	Stud - Upper Guide Support -----	1
11	M-67315	Knob -----	1
12	R-71361	Support - Upper Guide -----	1
13	V-23326	Spring - Adj. Blade Guide -----	1
14	M-23275	Lock Washer - Adj. Blade (Stat.) -----	1
15	M-23328	Lock Washer - Adj. Blade (Rot.) -----	1
16	M-71382	Shaft - Back-Up Block -----	1
17	M-71373	Block - Blade Back-Up -----	1
18	M-71377	Retainer - Blade Back-up Block -----	1
19	SC-7-24	Mach. Screw - #6-32 x 3/8" Rd. Hd. -----	2
20	M-67182	Guide - Blade -----	2
21	SC-10-36	Mach. Screw - #10-24 x 5/8" Truss Hd. -----	2
22	M-67233	Spacer - Blade Guide -----	2
23	M-71449	Shim - Upper Guide Support -----	As Reqd
24	M-67237	Screw - Slide Rod Adjusting -----	1
25	WL-4-2	Lock Washer - 3/8" x .136" x .070" -----	1
26	NS-17-20	Jam Nut - 3/8"-24 Hex Fin. -----	1
27	P-71359	Bracket - Upper Wiper -----	1
28	SC-75-5	Set Screw - #10-24 x 1/4" Soc. Hdls. Kn. Cup Pt. -----	1
29	M-71368	Wiper - Blade Pulley -----	1
30	SC-10-33	Mach. Screw - #10-24 x 1/2" Truss Hd. -----	2
31	R-71357	Bracket - Upper Wiper -----	1
32	R-67500-2	"O" Ring -----	1
33	M-71364	Spring - Blade Pulley Wiper -----	1
34	P-71376	Shaft -----	1
35	R-67500-7	"O" Ring -----	1
36	M-67315	Knob -----	1
37	V-21158	Stud - Upper Guide Support -----	1
38	M-67306	Pin - Table Rest -----	1
39	SC-21-14	Mach. Screw - #8-32 x 3/8" Rd. Hd. -----	4
40	WL-6-1	Lock Washer - #8 x .047" x .031" -----	4
41	M-67184	Scraper - Blade -----	2
42	M-67185	Spring - Scraper Blade -----	2
43	SC-21-85	Mach. Screw - #8-32 x 3/16" Rd. Hd. -----	4
44	WL-6-1	Lock Washer - #8 x .047" x .031" -----	4
	P-71398	Upper Guide Unit Assy. (Incls. items #8, 9, 10, 12, 13, 14, 15, 16, 17, 18, 19, 20, 21, 22 & 23) -----	1
	R-71379-1	Upper Wiper Brkt. Assy. (Incls. items #27 to 44 inclusive) -----	1



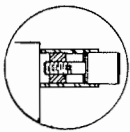
PL-3770

HEAD UNIT

**HOBART REPLACEMENT PARTS**

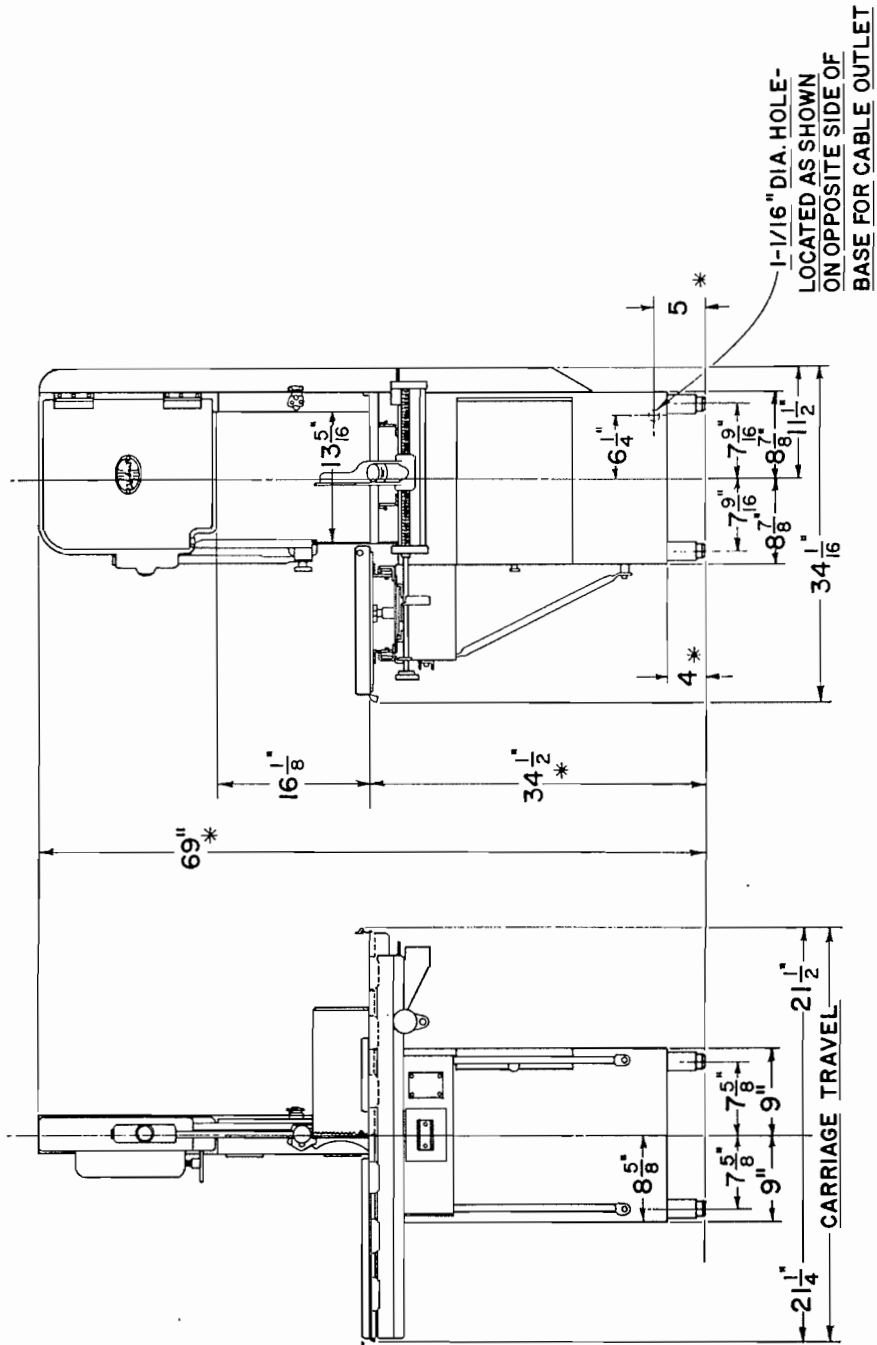
**HEAD UNIT**

ILLUS. PL-3770	PART NO.	NAME OF PART	AMT.
1	SC-10-39	Mach. Screw - #10-24 x 1" Truss Hd. -----	2
2	R-67151-1	Cover - Upper Bearing Carrier -----	1
3	SC-12-69	Mach. Screw - 1/4"-20 x 1/2" Fil. Hd. -----	3
4	P-67210	Cap - Bearing Carrier -----	1
5	SC-13-46	Mach. Screw - #10-24 x 1/2" Flat Hd. -----	2
6	M-67241	Retainer - Bearing -----	1
7	BR-2-16	Roller Bearing -----	1
8	RR-6-1	Retaining Ring -----	1
9	R-67205	Carrier - Upper Bearing -----	1
10	NS-13-22	Full Nut - 3/8"-16 Hex Fin. -----	4
11	WL-4-2	Lock Washer - 3/8" x .136" x .070" -----	4
12	P-67147	Cover Bracket & Weld Hub Assy. -----	2
13	P-67187	Gib - Upper Bearing Carrier -----	2
14	WL-4-2	Lock Washer - 3/8" x .136" x .070" -----	4
15	NS-13-22	Full Nut - 3/8"-16 Hex Fin. -----	4
16	M-68139	Screw - Upper Bearing Carrier Support -----	4
17	WL-4-2	Lock Washer - 3/8" x .136" x .070" -----	4
18	NS-13-22	Full Nut - 3/8"-16 Hex Fin. -----	4
19	PG-7-23	Groov-Pin - Type 5, 5/16" x 1-3/4" -----	1
20	P-67244	Shaft - Upper Bearing Carrier -----	1
21	T-71701	Head -----	1
22	SC-10-15	Mach. Screw - #10-24 x 1/2" Truss Hd. -----	6
23	S-71828	Door Assy. (Head) -----	1
24	R-72363	Flanged Pulley (Blade) Sub-Assy. Unit (Incls. items #25, 26 & 27) --	1
25	V-20851	Screw - Latch -----	1
26	M-20852	Latch -----	1
27	M-24114	Catch - #8-1/2" Frost -----	1
28	SC-8-68	Mach. Screw - 1/4"-20 x 1/2" Rd. Hd. -----	1
29	WL-3-35	Lock Washer - 1/4" x .047" x .078" -----	1
30	P-65300	Blade - Meat Saw (112" Lg.) -----	1
31	M-23335	Ring - Lens Retaining -----	1
32	V-20889	Lens - Indicator -----	1
33	V-20898	Gasket - Indicator Lens -----	1
34	SC-10-38	Mach. Screw - 5/16"-18 x 1-3/4" Truss Hd. -----	4
35	M-67870	Bearing Cap & Quad Ring Sub-Assy. (Incls. item #36) -----	1
36	M-67307	Quad Ring -----	1
37	SC-12-69	Mach. Screw - 1/4"-20 x 1/2" Fil. Hd. -----	3
38	BR-2-16	Roller Bearing -----	1
39	RR-6-1	Retaining Ring -----	1
40	SC-7-74	Mach. Screw - #10-24 x 3/8" Rd. Hd. -----	2
41	WL-3-20	Lock Washer - #10 x .055" x .040" -----	2
42	P-67249	Plate - Blade Tension Sight -----	1
43	M-20867	Spring - Adjusting Blade Tension -----	1
44	M-67250	Indicator - Tension -----	1
45	NS-17-6	Jam Nut - 5/16"-18 Hex Fin. -----	2
46	BB-13-1	Thrust Bearing - Nice #603 -----	1
47	RR-4-8	Retaining Ring -----	1
48	P-67204	Nut - Blade Tension Adjusting -----	1
49	P-71751	Screw - Blade Tension Adjusting -----	1
50	RP-2-17	Rollpin - 1/4" dia. x 1" Lg. -----	1
51	P-67190	Wheel - Hand -----	1
	R-67206	Upper Bearing Carrier Assy. (Incls. items #3, 4, 5, 6, 7, 8, 9, 19, 20, 35, 37, 38 & 39) -----	1



MACHINE IS PARTIALLY DISASSEMBLED FOR SHIPMENT. CRATED MACHINE WILL PASS THRU A 31" OPENING.

ENLARGED VIEW OF LEG SHOWING ADJUSTING FOOT



\* THESE DIMENSIONS MAY INCREASE AS MUCH AS 1/2" DEPENDING ON LEG ADJUSTMENT

[PL-3784]

R-71888