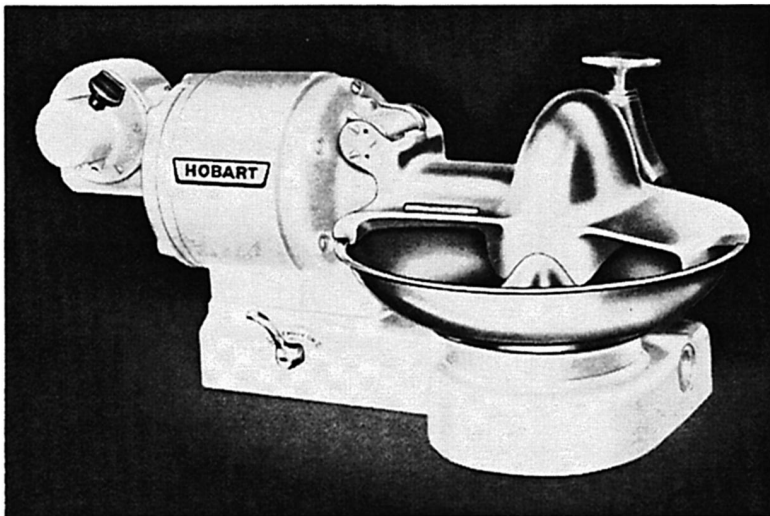


**HOBART**

# INSTRUCTION MANUAL

... with Replacement Parts



## MODELS 8142 & 84142 FOOD CUTTERS

ML-16923 Model 8142  
(Without Gear Attach.)

ML-16924 Model 84142  
(With Gear Attach.)

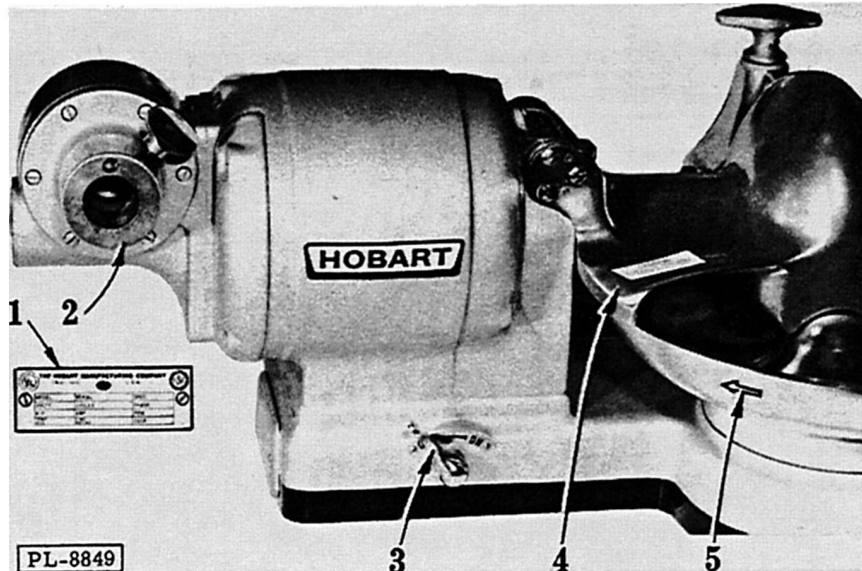


Fig. 1

## Instructions for Operation and Care of MODELS 8142 AND 84142 FOOD CUTTERS

### A. INSTALLATION:

If cord and plug is not used with this machine, electrical connections should be made by qualified workmen who will observe all applicable Safety Codes and the National Electrical Code.

- A.1 Before making any electrical connections, CHECK THE SPECIFICATIONS ON THE NAME PLATE (1, Fig. 1) TO MAKE SURE THEY AGREE WITH THOSE OF YOUR ELECTRICAL SERVICE. Connect multi-phase motors so bowl will turn clockwise (see arrow) (5, Fig. 1). Knives will then turn downward (viewed from the front of the machine), (see arrow on knife shaft (1, Fig. 4)). The cord connector hole is tapped (1/2") and can be used for conduit connection.

### B. SAFETY INTERLOCK:

- B.1 All knives are dangerous. CAUTION: KEEP HANDS FROM UNDER BOWL COVER. A caution decal is attached to the bowl cover (4, Fig. 1) as a reminder.
- B.2 The bowl cover is locked down (see section F) when the switch (3, Fig. 1) is "on". It cannot be unlocked until the switch is turned "off". If the bowl cover is removed or in a raised position, the switch cannot be turned "on". After the switch is turned off the knives rotate briefly.

DO NOT UNLOCK OR LIFT THE BOWL COVER UNTIL THE KNIVES HAVE STOPPED TURNING.

### C. OPERATION:

- C.1 Before operating the food cutter make sure the knives are correctly mounted and tightened on shaft (section D.2). The comb (3, Fig. 3) should be in place and the bowl cover locked down (section F).
- C.2 The types of products that may be processed in the HOBART food cutter are almost unlimited. Meats, vegetables, fruits, crackers and bread crumbs are cut fine or coarse depending on the length of time they are left in the bowl.
- C.2.1 Feed the material directly into the food cutter bowl. Products may be cut separately or blended.
- C.3 The bowl cover of this food cutter is designed to roll or turn the material, thus providing a mixing action. It is NEVER necessary to reach beneath the bowl cover. Material can be discharged while the machine is in operation. Should inspection be necessary ALWAYS shut off the motor – wait for the knives to stop. Then unlock and lift the bowl cover to remove any obstruction.

C.4 It is good practice on a food cutter with attachment drive (model 84142), to remove the knife unit when the attachment is used. Also remove the attachment when it is not in use (this will reduce the load on the motor).

C.5 The attachment drive will power any #12 size HOBART attachment. These include Chopping End, 9" Vegetable Slicer, Dicer, Juice Extractor, Speed Drive, or Knife and Tool Sharpener.

#### D. KNIVES:

D.1 The knife assembly (1, Fig. 2) should be removed as a unit, for cleaning, sharpening, etc. Stop machine, wait for knives to STOP turning, unlatch and raise bowl cover, remove hand knob (2, Fig. 2) and carefully slide unit from shaft.

D.2 The knives are properly placed and adjusted when shipped from the factory. The clearance between the knife (at the closest point) and the bowl should be  $1/32"$ . The leader knife (beveled on one side only) is on the side next to the motor. Knives are directly opposite each other and are set to cut downward when viewed from the hand knob (2, Fig. 2) end.

D.2.1 To check clearance or make adjustments, disconnect the power supply (make sure knives are not turning) unlatch and raise bowl cover (1, Fig. 3). Loosen hand knob (2, Fig. 2) a couple of turns (without removing knife unit from machine). Hold a wrench on the flats of sleeve (2, Fig. 4) to keep sleeve from turning and slightly loosen nut (3, Fig. 4) with a second

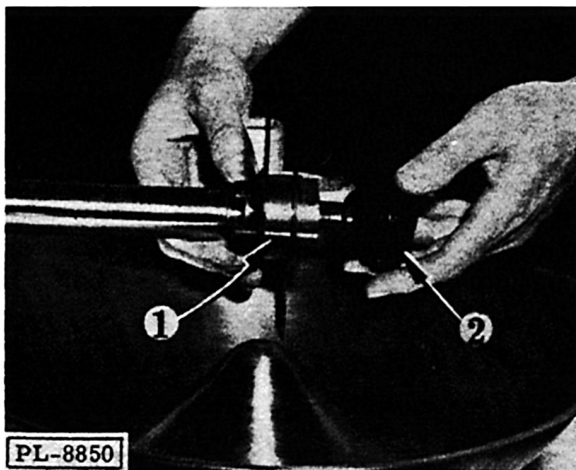


Fig. 2



Fig. 3

wrench. Gently tap loosened knives with a block of wood until the proper clearance is reached. Retighten nut, then hand knob.

D.3 Knives should be sharp, but should not have a razor edge. An extremely thin edge dulls quicker than the sturdy bevel that knives have, when received from the factory. For ordinary touch-up, use a carborundum stone, without disassembling the knife unit assembly (D.1). If a knife becomes nicked and it is necessary to grind it deeply, the knives should then be disassembled, readjusted and perhaps rebalanced (D.2.1). The knives must be close to the same weight to maintain proper balance because of the high speed operation. Knives are paired and balanced at the factory. Spare knives should be kept in pairs.

#### E. BOWL:

##### E.1 Bowl Removal.

E.1.1 Turn off the power supply, wait for the knives to stop turning, unlatch and lift the bowl cover. Carefully (to avoid the sharp edges) turn the knives to a horizontal position. Turn bowl clockwise, the short travel to its stop and then lift off bowl. It is not necessary to remove the comb when removing the bowl.

E.1.2 To reassemble bowl, place into position and rotate bowl counterclockwise to the stop.

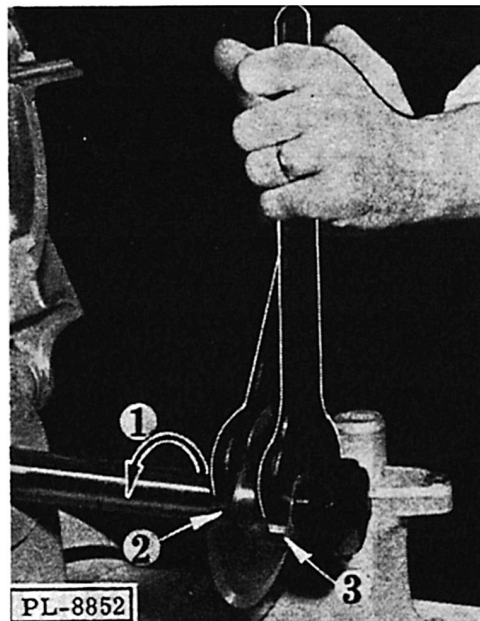


Fig. 4

**F. BOWL COVER:**

F.1 The bowl cover has a special shape that turns the product over in the revolving bowl. This eliminates the need for a separate deflector.

**F.2 Bowl Cover Removal.**

F.2.1 Turn off motor – releasing interlock. Wait for knives to stop.

F.2.2 Turn bowl cover lock knob (2, Fig. 3) clockwise at right angles (approx.) to machine and lift knob.

F.2.3 Raise and lift off hinged bowl cover.

F.3 To lock (or latch) the bowl cover, the switch must be in the “off” position. Press the knob down and turn it counterclockwise to a position parallel with the knife shaft.

F.4 The knife comb (3, Fig. 3) may be lifted up and off when the bowl cover is in the raised position.

**G. ATTACHMENT DRIVE:**

G.1 The attachment drive (2, Fig. 1) is for a #12 attachment. Various #12 attachments

may be driven by this food cutter. The Chopping End, 9” Vegetable Slicer and Dicer are the most popular attachments.

**H. MOTOR:**

H.1 Single phase motors on this food cutter are of the capacitor type, so do not have brushes.

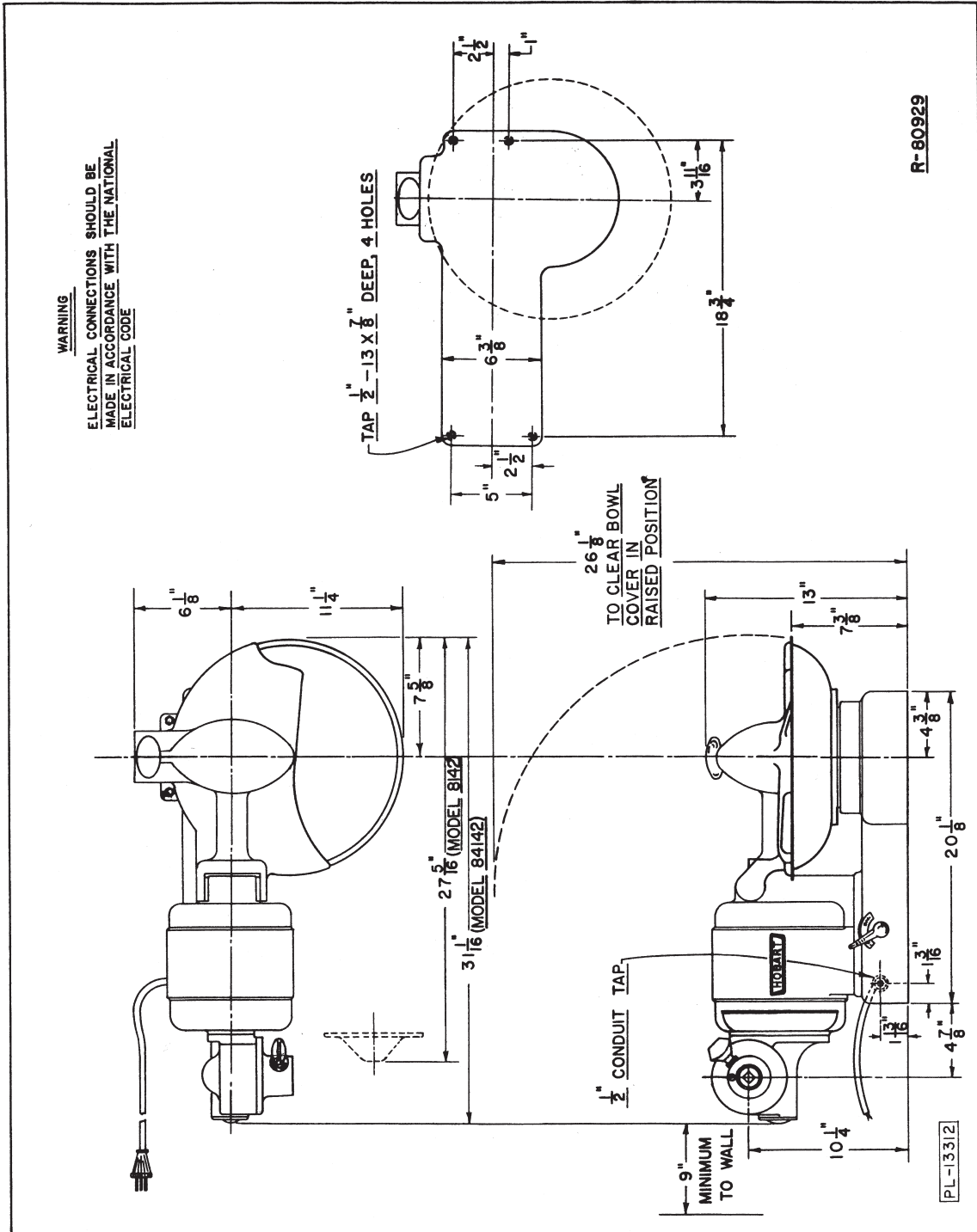
H.2 Motor parts are listed on separate Motor Parts Sheet.

**J. CLEANING:**

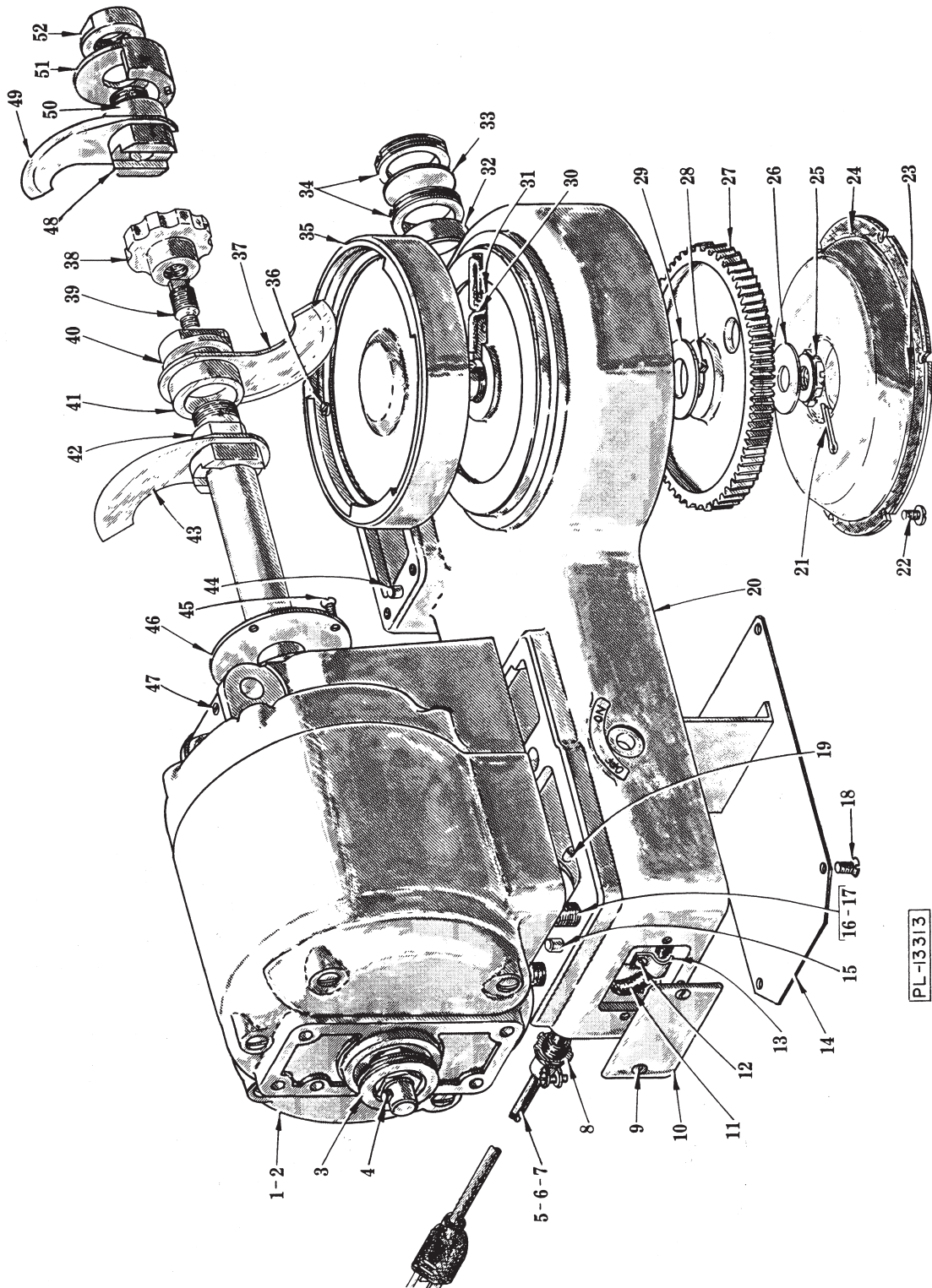
J.1 This food cutter has been designed for easy cleaning and maximum sanitation. The base is totally enclosed, the knives have closed adjustment slots, the scraper has been eliminated by the special bowl cover, and the bowl is of one piece stainless steel (easily removed by turning clockwise). To clean this machine, unplug electrical supply cord and use a damp cloth.

**K. LUBRICATION:**

K.1 The bearings and gear cases are packed with special grease. Have a Hobart service technician check the grease at least once a year.



INSTALLATION DIAGRAM



PL-13313

MOTOR AND BASE UNIT

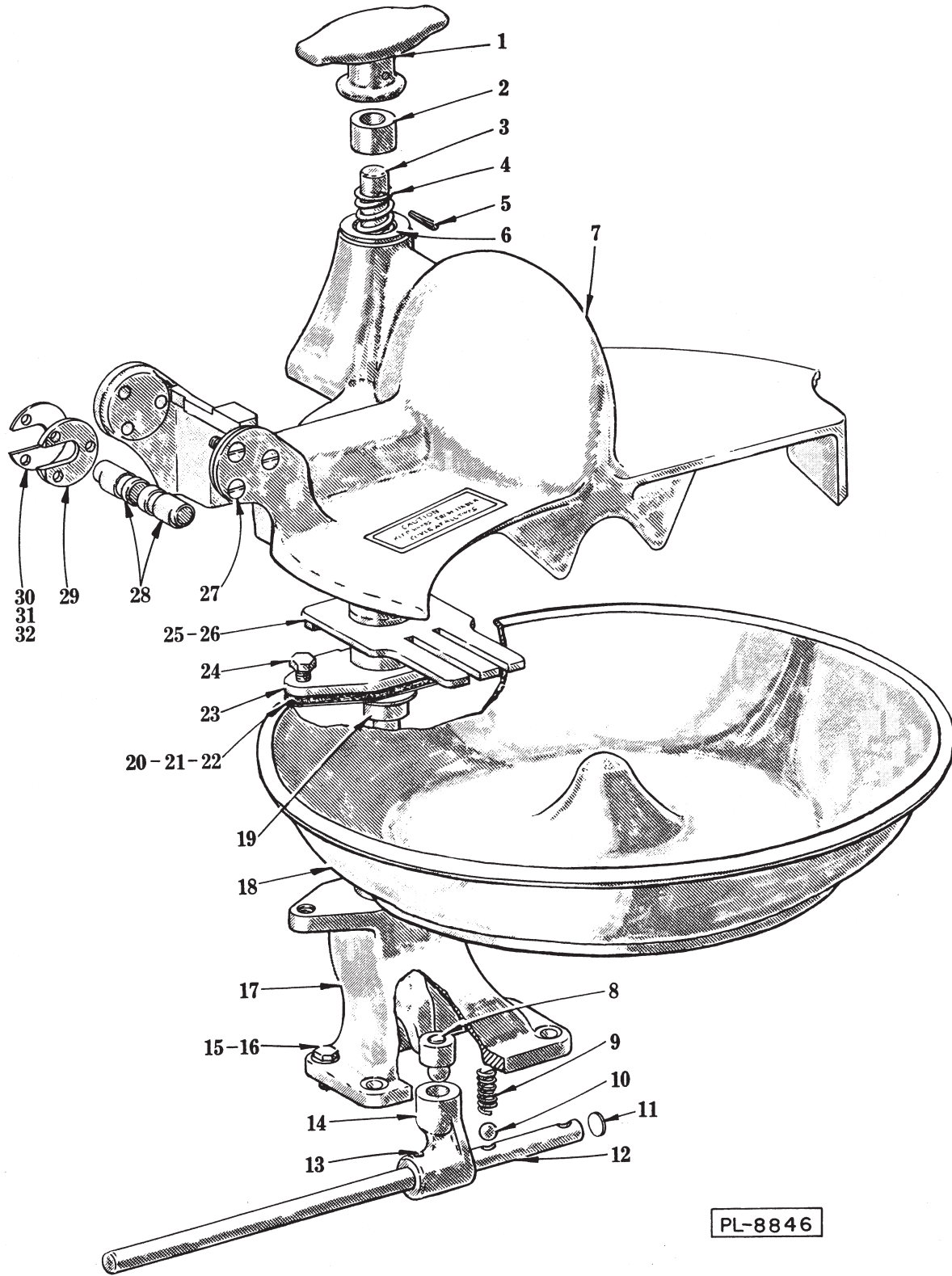
## MOTOR AND BASE UNIT

ILLUS. PL-13313	PART NO.	NAME OF PART	AMT.
1	---	Motor (see separate Motor Parts Sheet)	1
2	B-118070-1	Plug - Inspection	1
3	V-8066	Deflector - Grease	1
4	D-11800-91	Dowel	1
5	B-117542-7	Cord & Plug (3 Cond. Under 150 V.)	1
6	B-117542-12	Cord & Plug (3 Cond. 200-250 V.)	1
7	B-117542-18	Cord Assy. (I.E.C.)	1
8	FE-2-45	Connector - Straight (1/2" Male Thd. x 3/8" Flex. Cnd.)	1
9	SC-30-6	Mach. Screw - #6-32 x 3/8" Oval Hd.	2
10	A-101808	Cover - Connection Box	1
11	P-62336-1	Conduit - 1/4" x 6-1/2" Lg. (Flex.)	2
12	SC-7-77	Mach. Screw - #10-24 x 1/2" Rd. Hd.	3
13	V-12381	Clamp	4
14	P-60283	Cover Plate Sub-Assy.	1
15	D-11800-116	Dowel	2
16	SC-37-1	Fin. Bolt - 1/2"-13 x 1-1/2" Hex Hd.	4
17	WL-4-12	Lock Washer - 1/2" x .170" x .099"	3
18	SC-13-43	Mach. Screw - #10-24 x 3/8" Flat Hd.	4
19	D-11800-94	Dowel	2
20	T-12166	Base	1
21	PC-3-39	Cotter Pin - 3/32" x 1-3/8"	1
22	SC-10-15	Mach. Screw - #10-24 x 1/2" Truss Hd.	6
23	S-70576	Cover - Gear Case	1
24	P-70577	Gasket - Gear Case Cover	1
25	V-12246	Nut - Slotted	1
26	V-12245	Retainer - Worm Wheel	1
27	P-12237	Wheel - Worm (75T)	1
28	R-12430-137	Key	1
29	WS-13-21	Washer	1
30	WF-2-4	Wicking - Fluid	1
31	RS-8-11	Rivet - 5/32" x 3/4" Truss Hd.	2
32	V-12219	Tube - Spacing	1
33	V-12220	Plate - Grease Retaining	1
34	V-12218	Nut - Bearing Retaining	2
35	R-12236	Plate - Bowl Locking	1
36	SC-11-58	Mach. Screw - #12-24 x 1/4" Fil. Hd.	1
37	P-71310	Knife - Closed End Rotary (Follower)	1
38	M-77371	Knob	1
39	M-78398	Insert - Knife Shaft	1
40	M-71311	Locking Collar - Knife Ret. Bushing	1
41	M-71312	Collar - Knife Ret. Bushing	1
42	P-71313	Bushing - Knife Retaining	1
43	P-71309	Knife - Closed End Rotary (Leader)	1
44	D-11800-90	Dowel	2
45	SC-15-18	Mach. Screw - #8-32 x 3/8" Oval Hd.	4
46	M-111182	Plate - Cover	1
47	SC-46-32	Set Screw - 1/4"-20 x 1/2" Hdls., Cup Pt.	2

## SINGLE KNIFE UNIT (NOT NSF APPROVED)

48	P-7157	Bushing - Knife Retaining	1
49	M-17909	Knife - Rotary (Follower)	1
50	V-103903	Collar - Knife Ret. Bushing	1
51	P-23680	Balance - Knife	1
52	V-103904	Locking Collar - Knife Ret. Bushing	1
	P-71386	Single Knife & Knife Balance Assy. (Incls. items #48, 49, 50, 51 & 52)	1

NOTE: See page 9 for Comb.



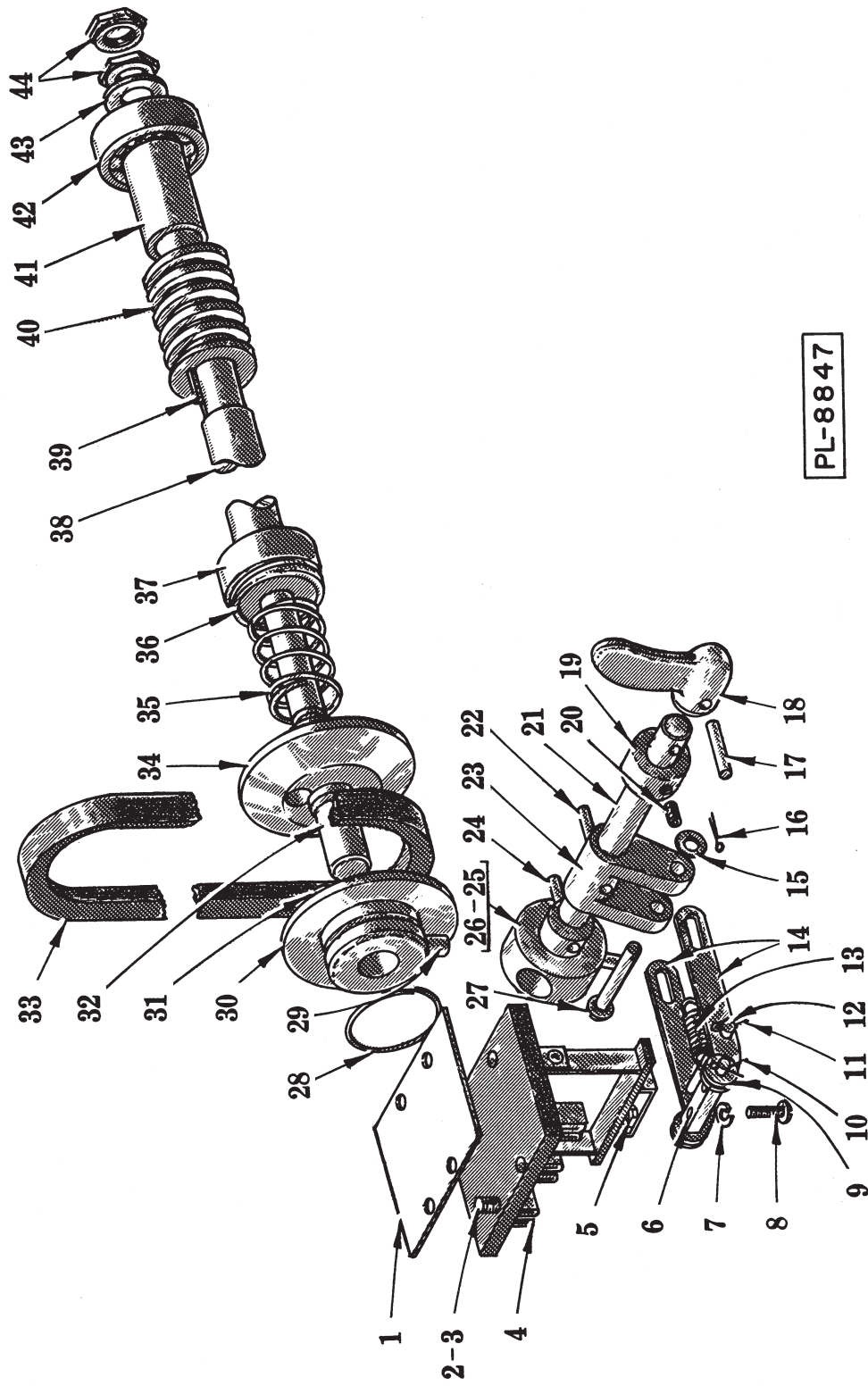
PL-8846

BOWL COVER AND BOWL UNIT



## BOWL COVER AND BOWL UNIT

ILLUS. PL-8846	PART NO.	NAME OF PART	AMT.
1	P-12635-4	Knob - Locking -----	1
2	V-12264	Spacer - Lock Bolt -----	1
3	M-12275	Bolt - Lock -----	1
4	V-12263	Spring - Lock Bolt -----	1
5	PG-3-28	Groov-Pin - Type #1, 3/16" x 1" -----	1
6	M-12262	Bushing - Bowl Cover -----	1
7	M-79532	Bowl Cover, Hinge Plate & Decal Sub-Assy. (Incls. items #6, 27, 29, 30, 31 & 32) ----	1
8	M-60282	Lock Rod Shift Arm & Pivot Sub-Assy. -----	1
9	V-7009	Spring -----	1
10	BA-2-18	Ball - 3/8" Dia. -----	1
11	PL-3-10	Plug - 3/4" Expansion -----	1
12	M-12259	Rod - Lock -----	1
13	RP-2-10	Rollpin - 3/16" Dia. x 1" Lg. -----	1
14	P-12258	Arm - Lock Rod -----	1
15	SC-36-4	Fin. Bolt - 1/4"-20 x 3/4" Hex Hd. -----	4
16	WL-3-36	Lock Washer - 1/4" x .107" x .047" -----	4
17	R-71290	Support - Comb -----	1
18	S-79475	Bowl & Adapter Assy. -----	1
19	M-12269	Shaft - Lock Rod Control -----	1
20	M-71317-1	Shim (.015" Thk.) -----	As Reqd.
21	M-71317-2	Shim (.008" Thk.) -----	As Reqd.
22	M-71317-3	Shim (.004" Thk.) -----	As Reqd.
23	P-71302	Retainer - Comb -----	1
24	SC-41-11	Fin. Bolt - 5/16"-18 x 3/4" Hex Hd. -----	2
25	A-102742	Comb & Stop Sub-Assy. -----	1
26	M-23681	Comb (For Single Knife Only) -----	1
27	SC-23-47	Mach. Screw - 1/4"-20 x 11/16" Oval Hd. -----	6
28	M-82190	Pin - Hinge -----	2
29	M-23754	Plate - Hinge -----	2
30	V-12387-1	Shim (.006" Thk.) -----	As Reqd.
31	V-12387-2	Shim (.009" Thk.) -----	As Reqd.
32	V-12387-3	Shim (.014" Thk.) -----	As Reqd.
	M-79533	Bowl Cover & Locking Knob Sub-Assy. (Incls. items #1, 2, 3, 4, 5 & 7) -----	1



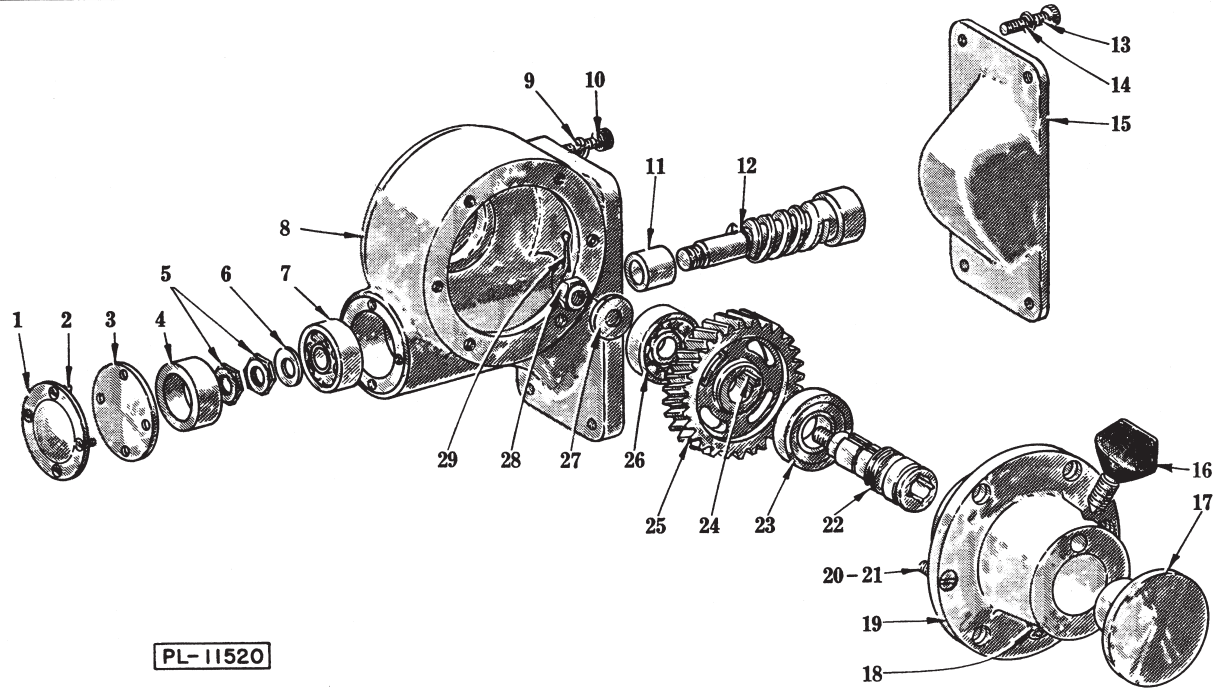
PL-8847

SWITCH AND BOWL DRIVE UNIT

## SWITCH AND BOWL DRIVE UNIT

ILLUS. PL-8847	PART NO.	NAME OF PART	AMT.
1	V-12291	Insulator - Switch -----	1
2	SC-7-77	Mach. Screw - #10-24 x 1/2" Rd. Hd. -----	4
3	WL-3-22	Lock Washer - #10 x .055" x .040" -----	4
4	P-87711-59-1	Switch -----	1
5	NS-9-12	Mach. Nut - #8-32 Hex -----	2
6	M-12286	Pivot - Link -----	1
7	WL-5-12	Lock Washer - #8 x .047" x .031" -----	4
8	SC-7-68	Mach. Screw - #8-32 x 5/8" Rd. Hd. -----	2
9	WS-3-19	Washer -----	2
10	PC-3-23	Cotter Pin - 1/16" x 1/2" -----	2
11	PC-3-23	Cotter Pin - 1/16" x 1/2" -----	1
12	V-12284	Pin -----	1
13	V-7604	Spring -----	1
14	V-12292	Link - Switch Connecting -----	2
15	WS-3-19	Washer -----	1
16	PC-3-23	Cotter Pin - 1/16" x 1/2" -----	1
17	M-63739	Groov-Pin - Type #1, 3/16" x 7/8" -----	1
18	M-12280	Handle - Switch Shifter -----	1
19	V-10741	Collar - Retaining -----	1
20	SC-47-8	Set Screw - 1/4"-20 x 1/4" Soc. Hdls., Cup Pt. -----	1
21	M-12281	Shaft - Switch Shifter -----	1
22	RP-3-14	Rollpin - 3/16" Dia. x 7/8" Lg. -----	1
23	M-12283	Arm - Shifter -----	1
24	RP-3-14	Rollpin - 3/16" Dia. x 7/8" Lg. -----	1
25	M-12282	Disc - Locking -----	1
26	D-11800-92	Dowel -----	1
27	V-12284	Pin -----	1
28	V-9614	Retaining Ring -----	1
29	V-12253	Pin - Screw -----	1
30	M-62366	Pulley Flange & Drive Pin (with Disc) Sub-Assy. (Incls. item #31) -----	1
31	M-60281	Drive Pin & Drive Disc Sub-Assy. Unit -----	1
32	V-12415	Bearing - Pulley Flange (Right) -----	1
33	P-12294	Belt -----	1
34	M-12414	Flange - Driven Pulley (Right) -----	1
35	M-111183	Spring - Driven Pulley -----	1
36	V-12541	Washer - Bearing Retaining -----	1
37	BB-5-30	Ball Bearing - N.D. #Z99503 -----	1
38	P-111184	Shaft - Bowl Drive -----	1
39	R-12430-64	Key -----	1
40	V-12248	Worm - Bowl Drive (1T) -----	1
41	V-12247	Spacer - Bowl Drive Worm -----	1
42	BB-17-10	Ball Bearing - N.D. #3303 -----	1
43	WS-7-10	Washer -----	1
44	V-11430	Nut - Special -----	2

8142 REPLACEMENT PARTS



PL-11520

ATTACHMENT DRIVE UNIT

ILLUS.	PART	NAME OF PART	AMT.
PL-11520	NO.		
1	B-103134	Cap - Cover -----	1
2	SC-10-32	Mach. Screw - #8-32 x 3/8" Truss Hd. -----	4
3	V-24464	Gasket - Cap -----	1
4	V-111185	Sleeve - Spacing -----	1
5	V-11430	Nut - Special -----	2
6	WS-7-10	Washer -----	1
7	BB-5-21	Ball Bearing - N.D. #3302 -----	1
8	S-80955	Gear Case - Attachment -----	1
9	WL-3-36	Lock Washer - 1/4" x .107" x .047" -----	8
10	SC-40-9	Cap Screw - 1/4"-20 x 1-1/4" Soc. Fil. Hd. -----	4
11	V-12256	Spacer - Worm Bearing -----	1
12	M-62600	Attachment Hub Worm (3T) & Sleeve Sub-Assy. -----	1
*13	SC-40-8	Cap Screw - 1/4"-20 x 1" Soc. Fil. Hd. -----	4
*14	WL-3-36	Lock Washer - 1/4" x .107" x .047" -----	4
*15	R-12136	Cover - Blind End -----	1
16	C-108197-1	Thumb Screw -----	1
17	C-114824-4	Plug - Attachment Hole -----	1
18	V-12226	Drain - Attachment Hub -----	1
19	R-12225	Hub - Attachment -----	1
20	SC-38-2	Cap Screw - 1/4"-20 x 5/8" Fil. Hd. -----	6
21	WL-3-35	Lock Washer - 1/4" x .047" x .078" -----	6
22	P-12129	Shaft - Attachment Drive -----	1
23	BB-20-6	Ball Bearing - N.D. #7504 -----	1
24	R-12430-47	Key -----	1
25	C-12240	Gear - Attachment Hub (30T) -----	1
26	BB-17-9	Ball Bearing - N.D. #3203 -----	1
27	WS-6-18	Washer -----	1
28	NS-20-8	Castle Nut - 3/8"-24 -----	1
29	PC-3-34	Cotter Pin - 3/32" x 3/4" -----	1
	M-63293	Attachment Drive Sub-Assy. (Incls. items #1, 2, 3, 4, 5, 6, 7, 8, 9, 10, 11, 12, 16, 17, 18, 19, 20, 21, 22, 23, 24, 25, 26, 27, 28 & 29) -----	1

\*For machines without gear attachment ONLY.