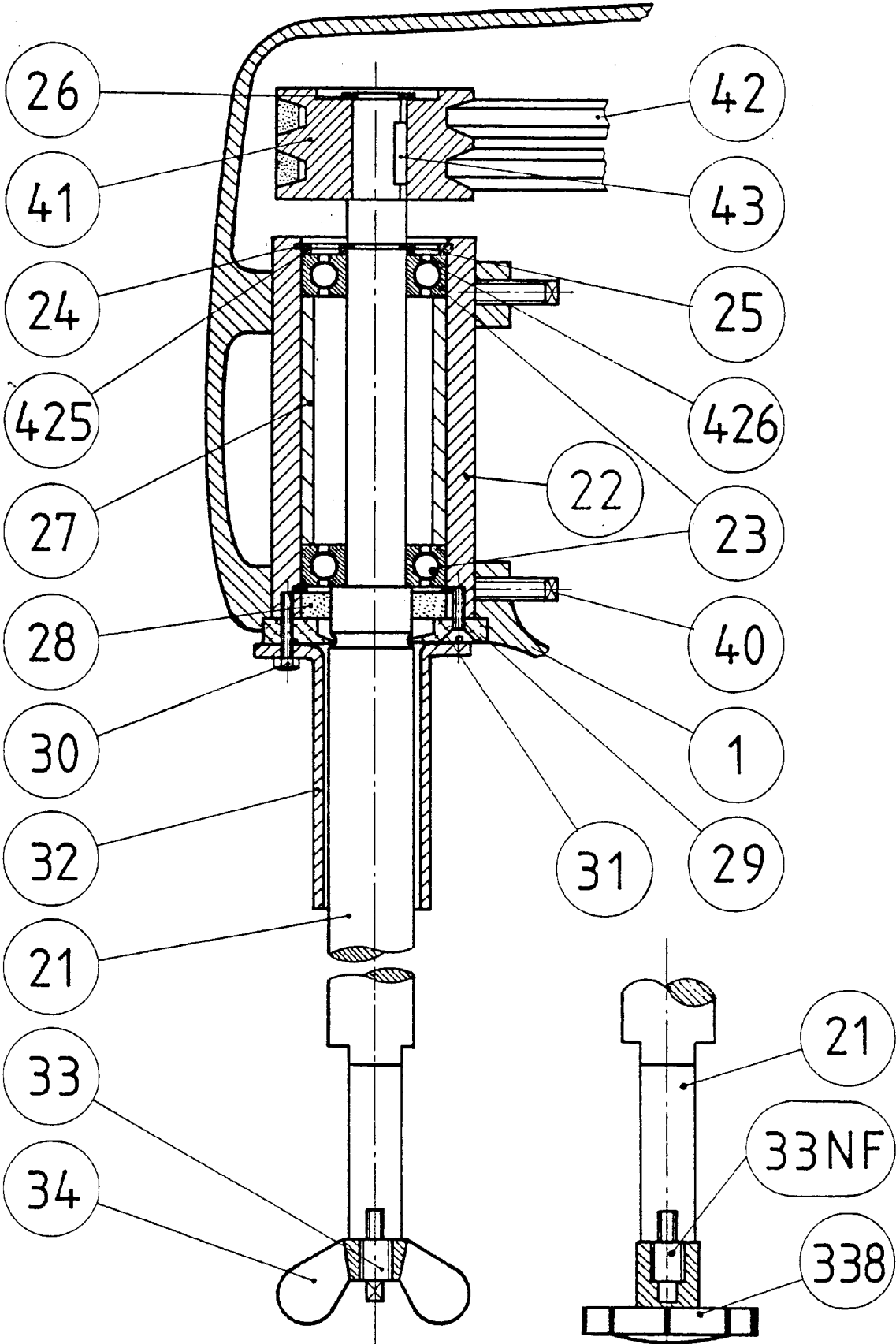
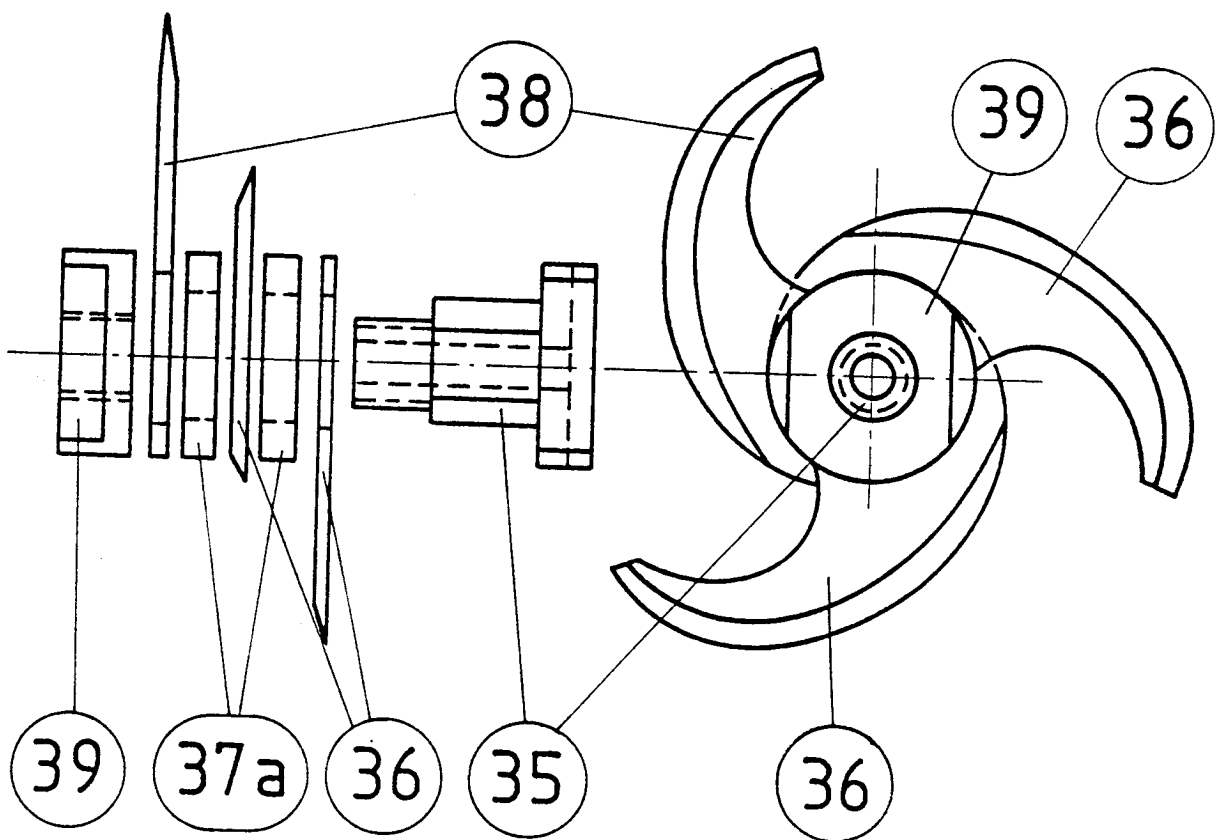
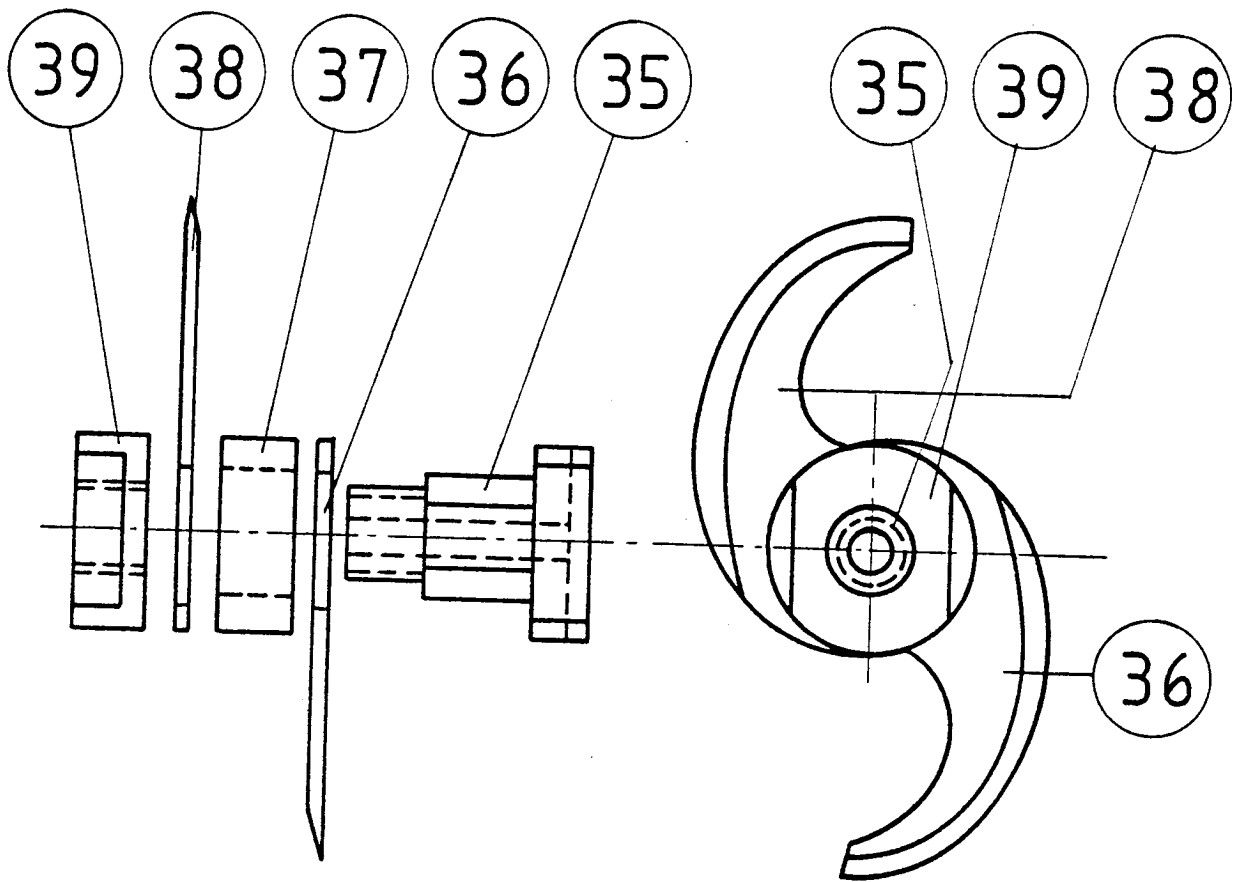


FOR PART NUMBERS USE PREFIX AND ITEM NUMBER, EXAMPLE: CU-00XXX



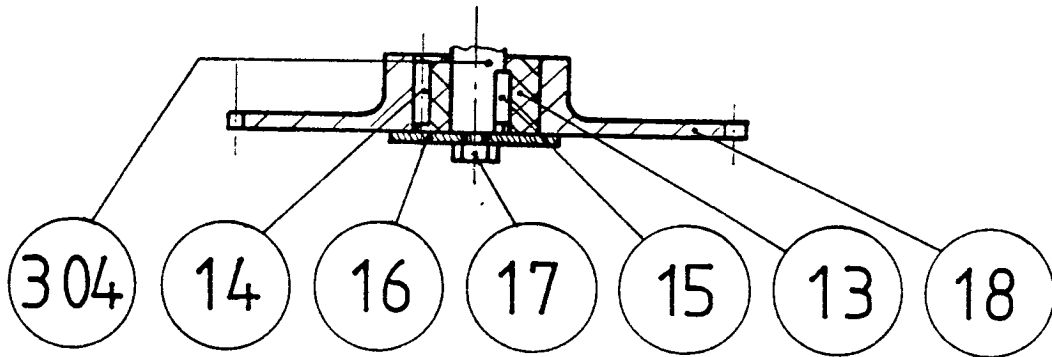
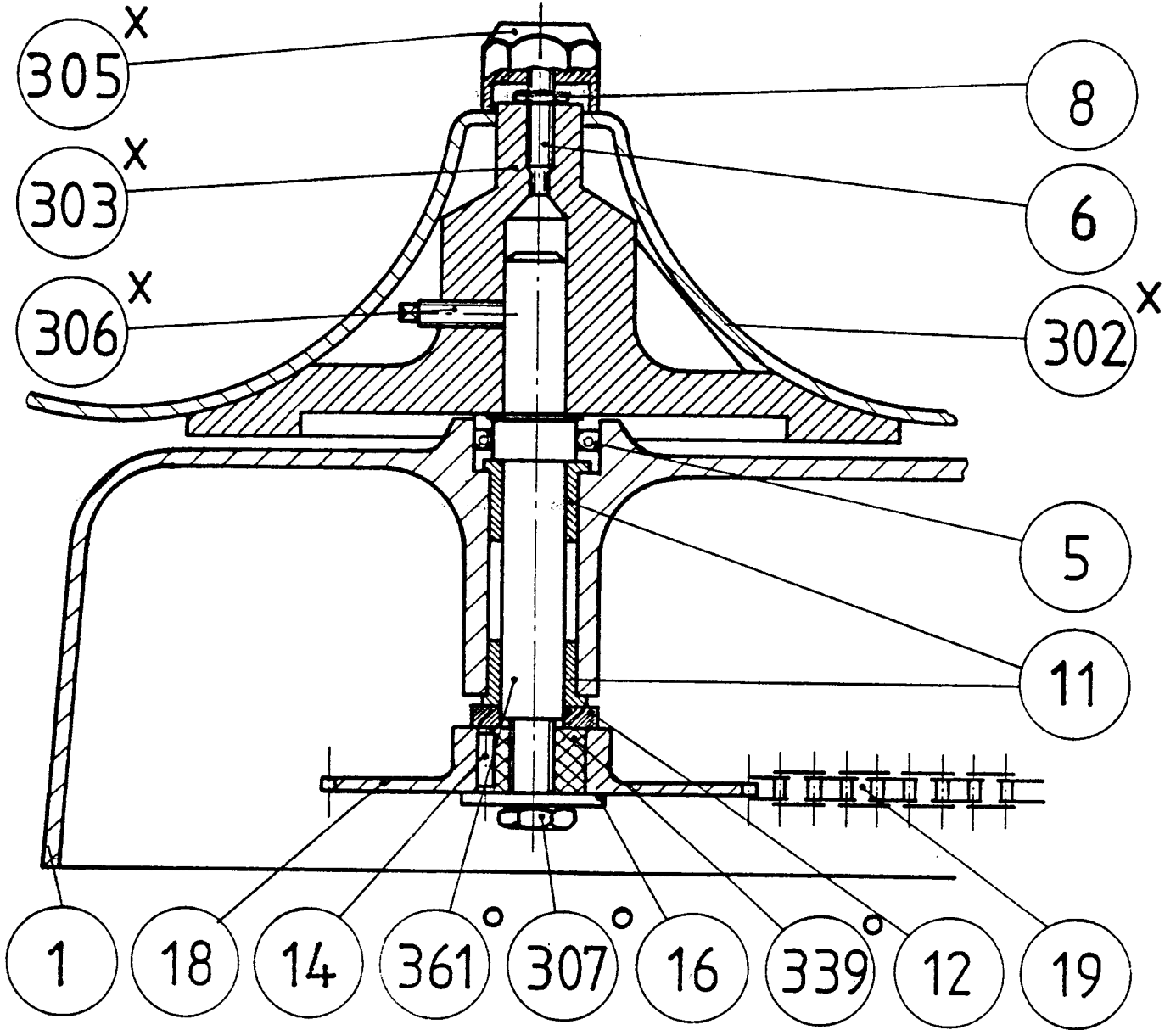
FROM SERIAL # 640781-7000000

FROM SERIAL # 700001



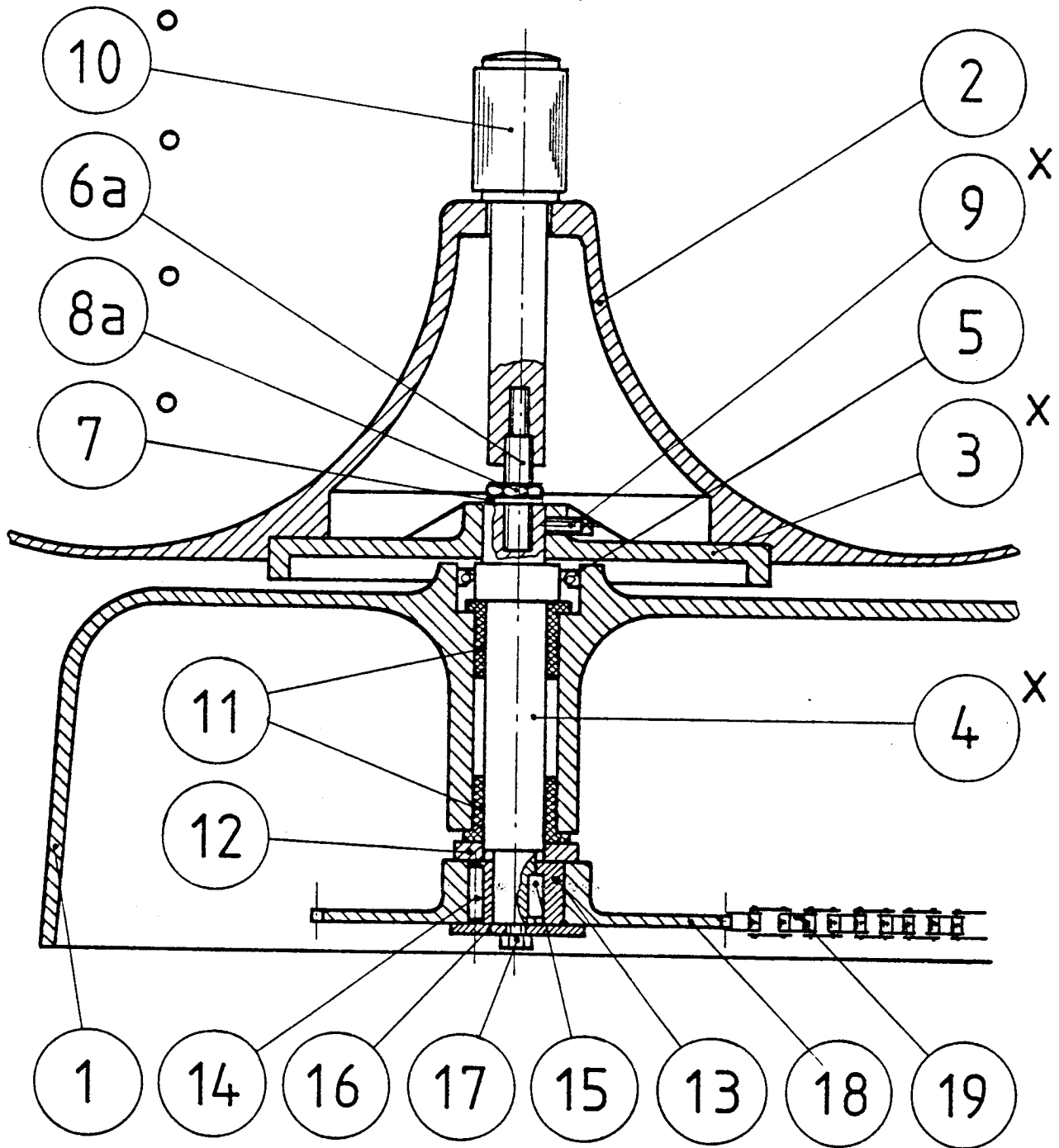
X - FROM SERIAL # 681204

O - FROM SERIAL # 182392



FROM SERIAL # 681204 - 182391

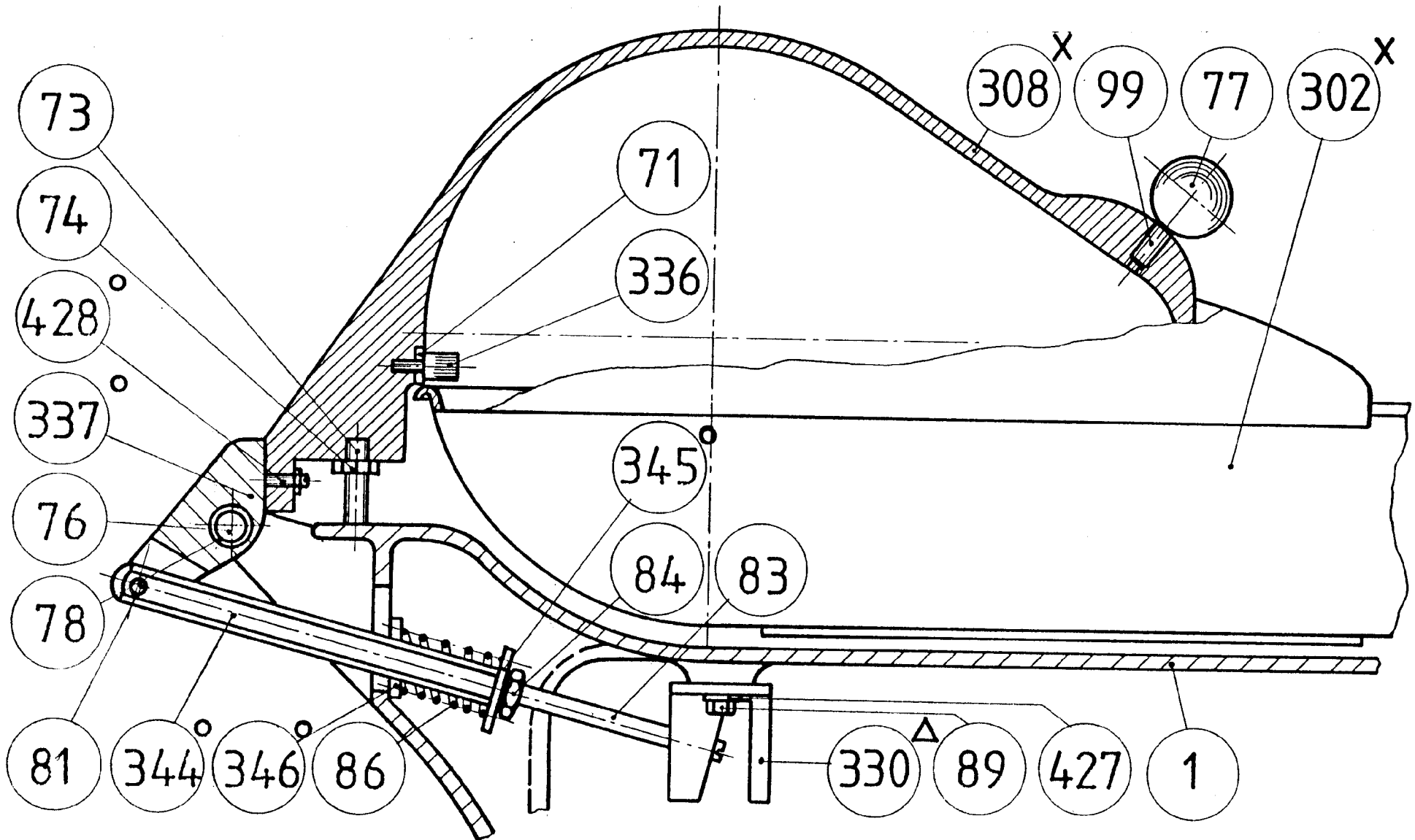
X - FROM SERIAL # 610101
O - FROM SERIAL # 630701
ALUMINIUM BOWL TO SERIAL # 681203



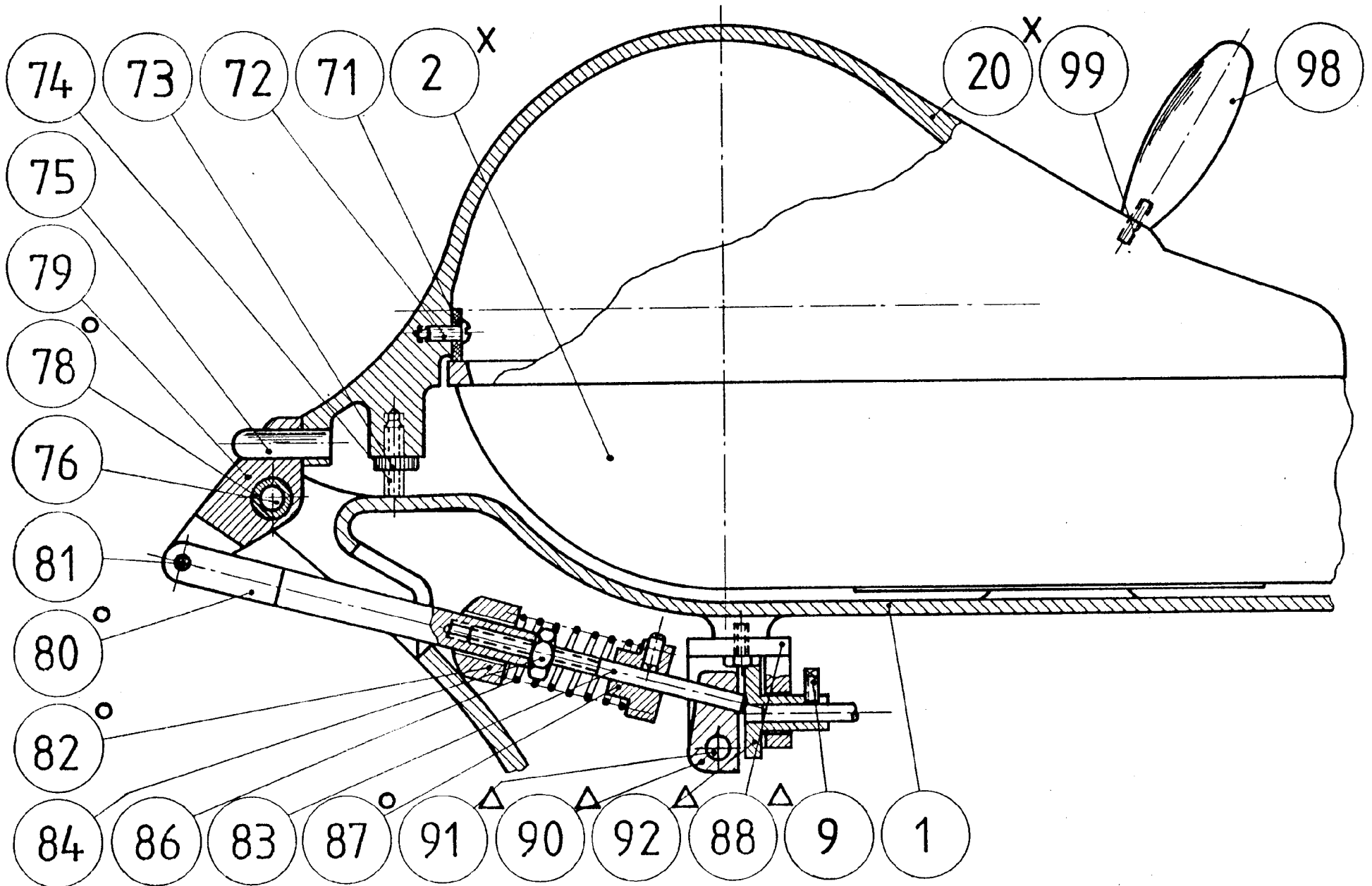
X - FROM SERIAL # 681204

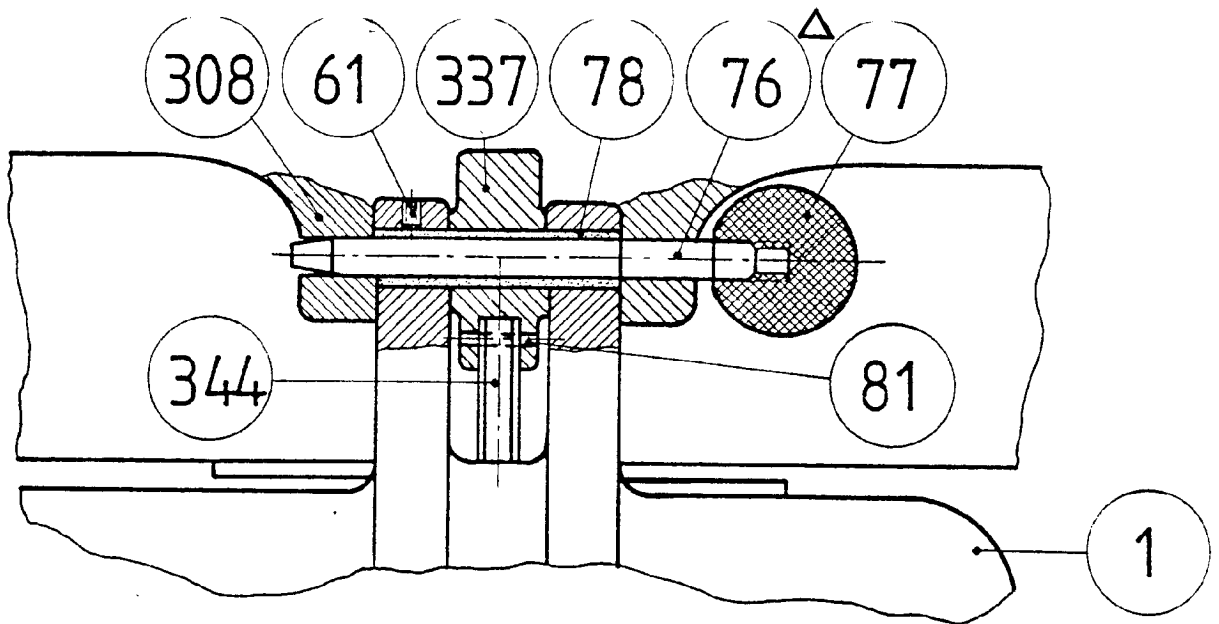
O - FROM SERIAL # 182141

△ - FROM SERIAL # 720904

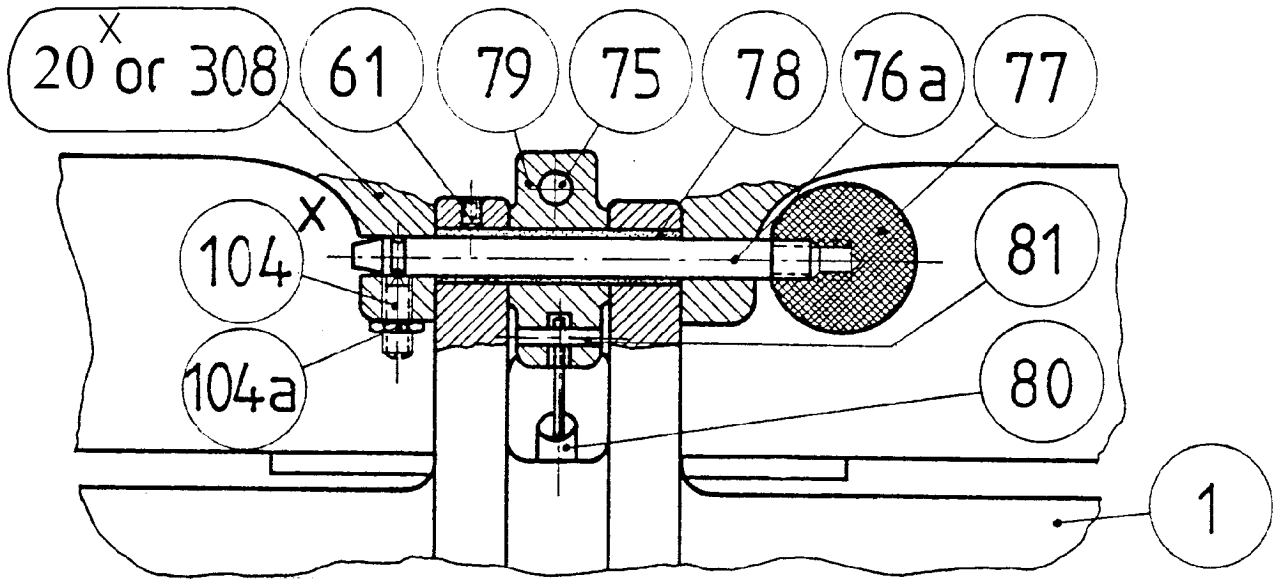


X - TO SERIAL # 681203
O - TO SERIAL # 182141
Δ - TO SERIAL # 180722



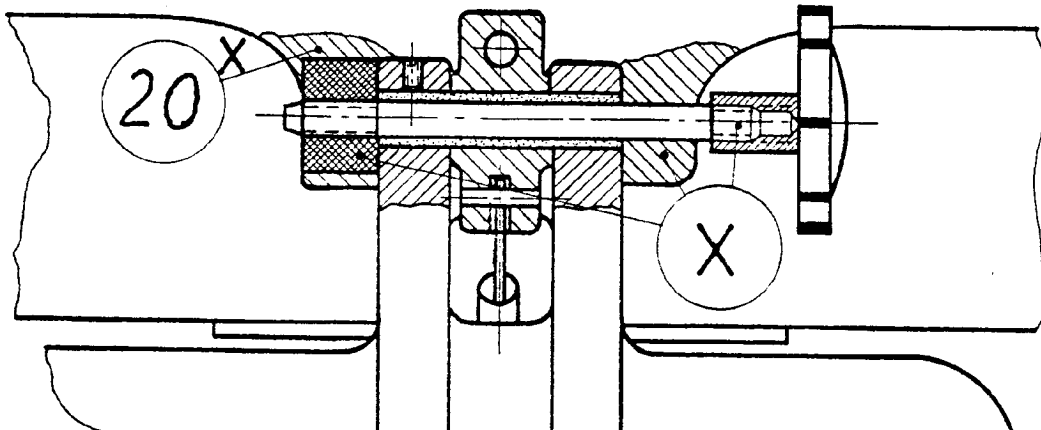


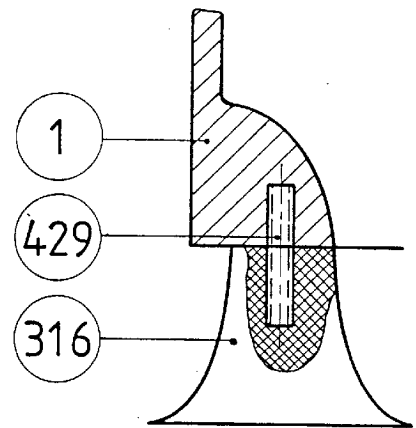
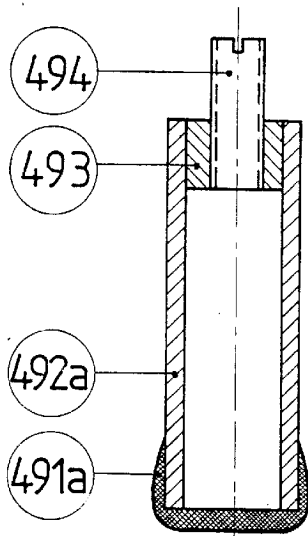
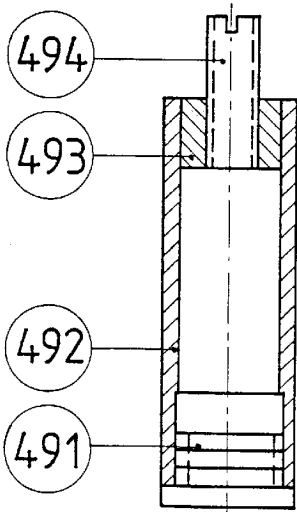
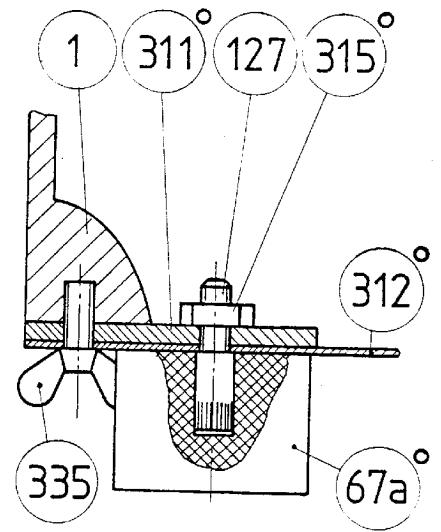
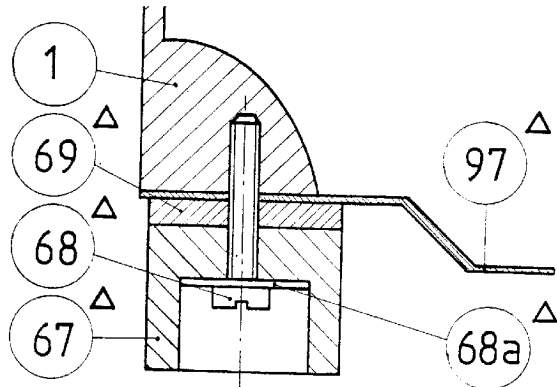
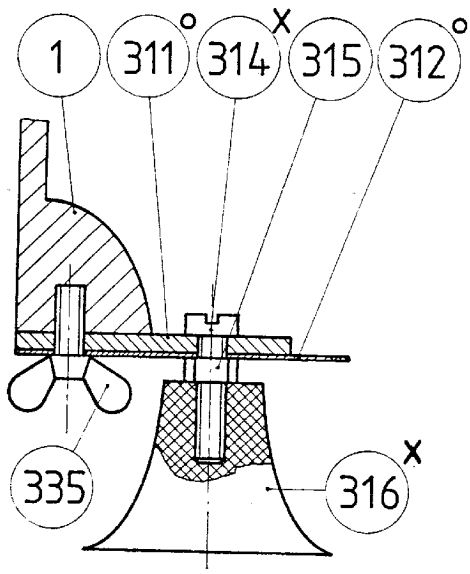
△ - FROM SERIAL # 710401



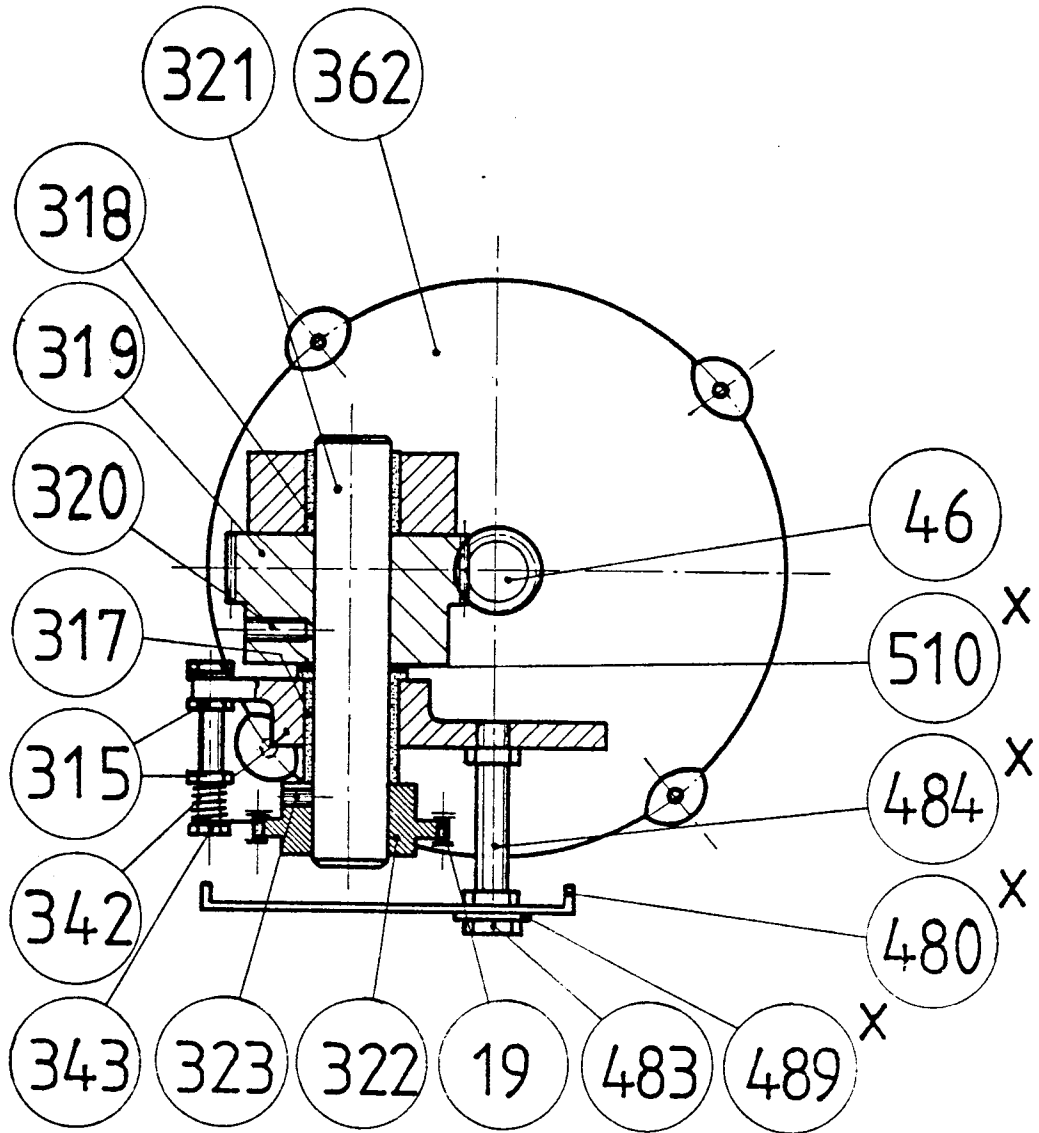
FROM SERIAL # 640901 - 710400

X - FROM SERIAL # 621222 - 640900

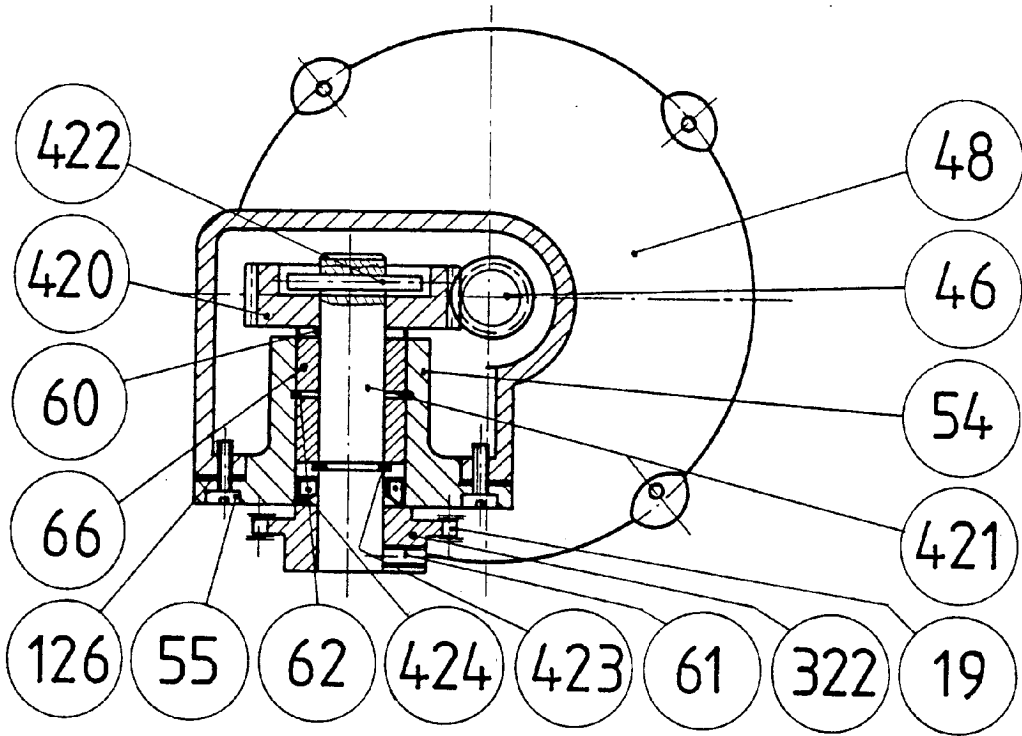




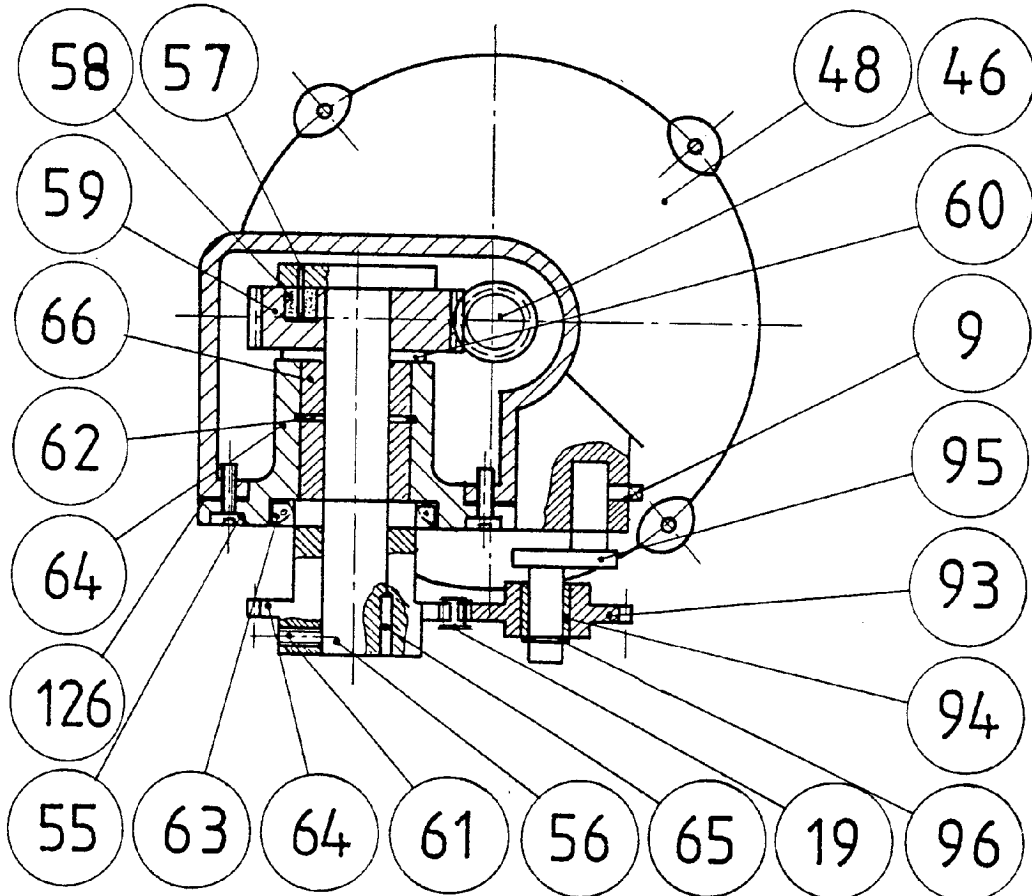
FROM SERIAL # 182113
X - EXCEPT FROM SERIAL # 182922



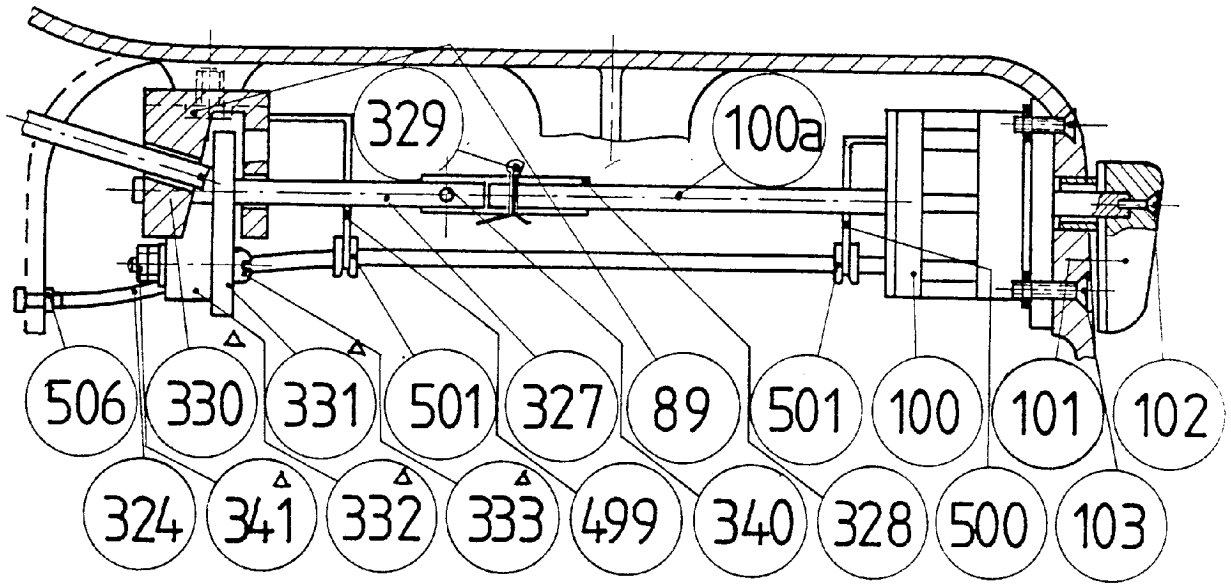
FROM SERIAL # 720505 - 182113



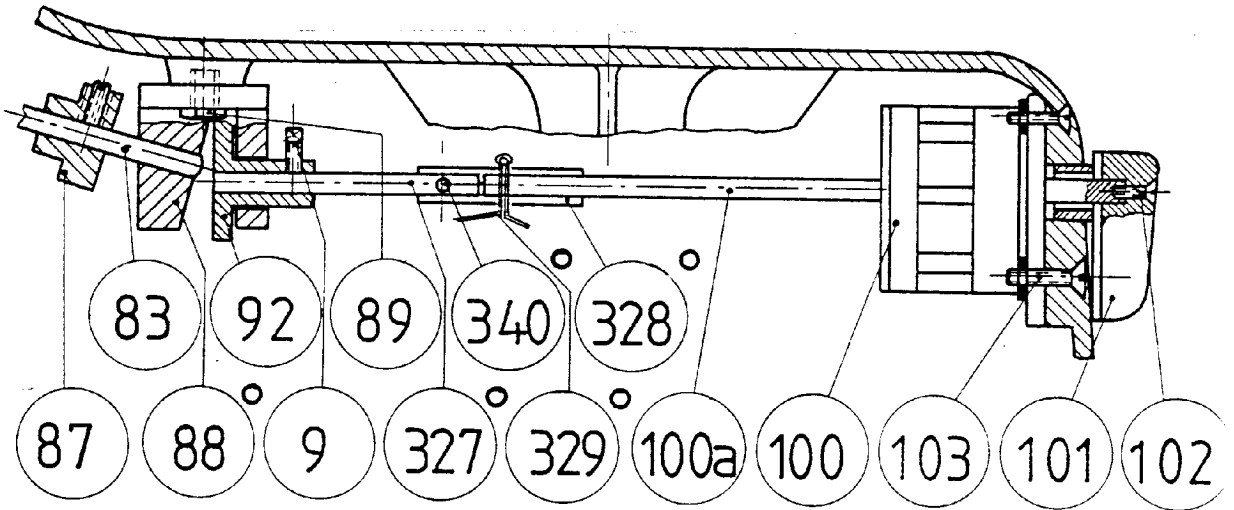
TO SERIAL # 720504



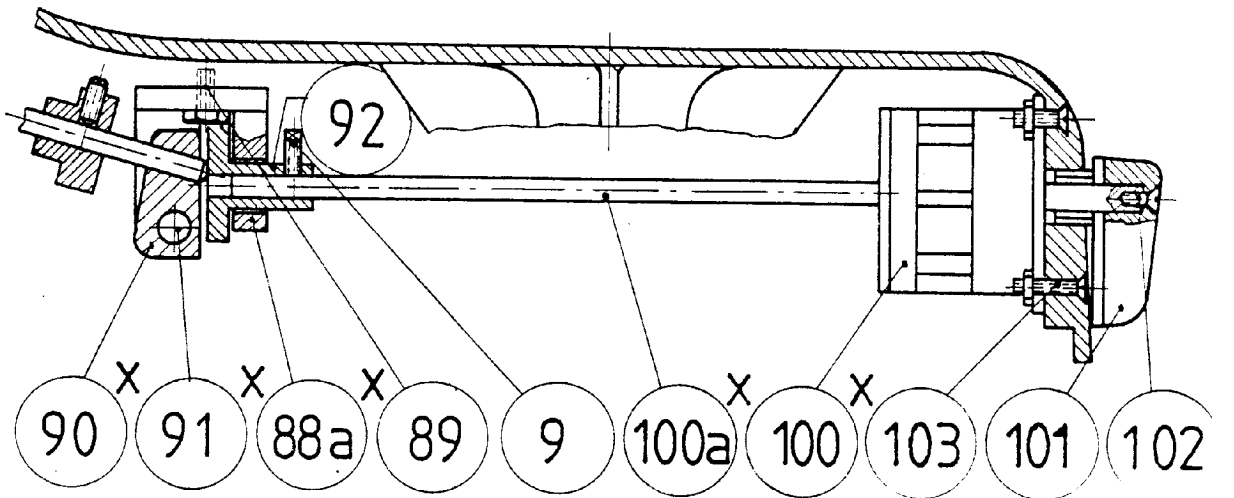
△ - FROM SERIAL # 180722

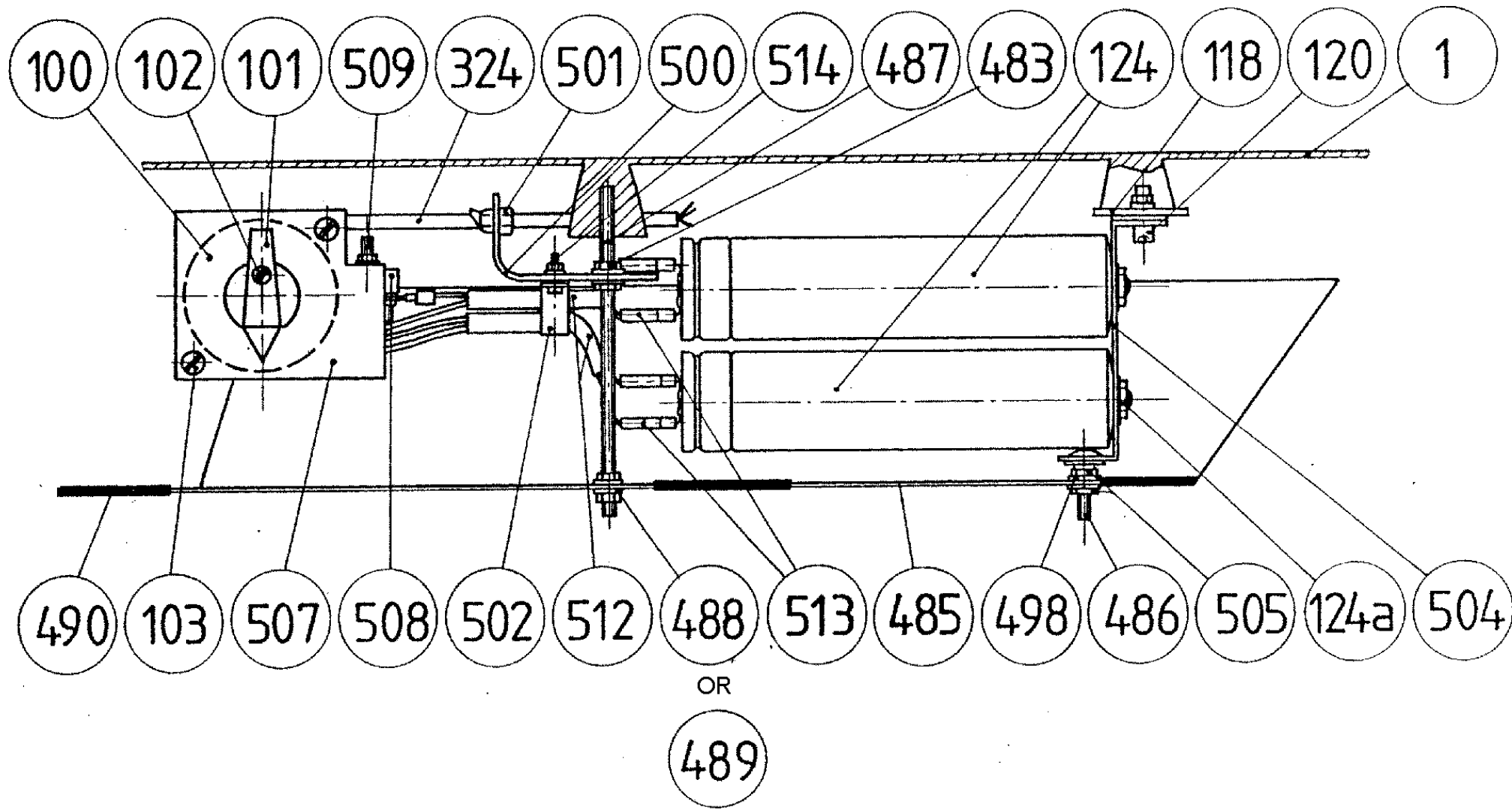


O - FROM SERIAL # 600805 - 180721

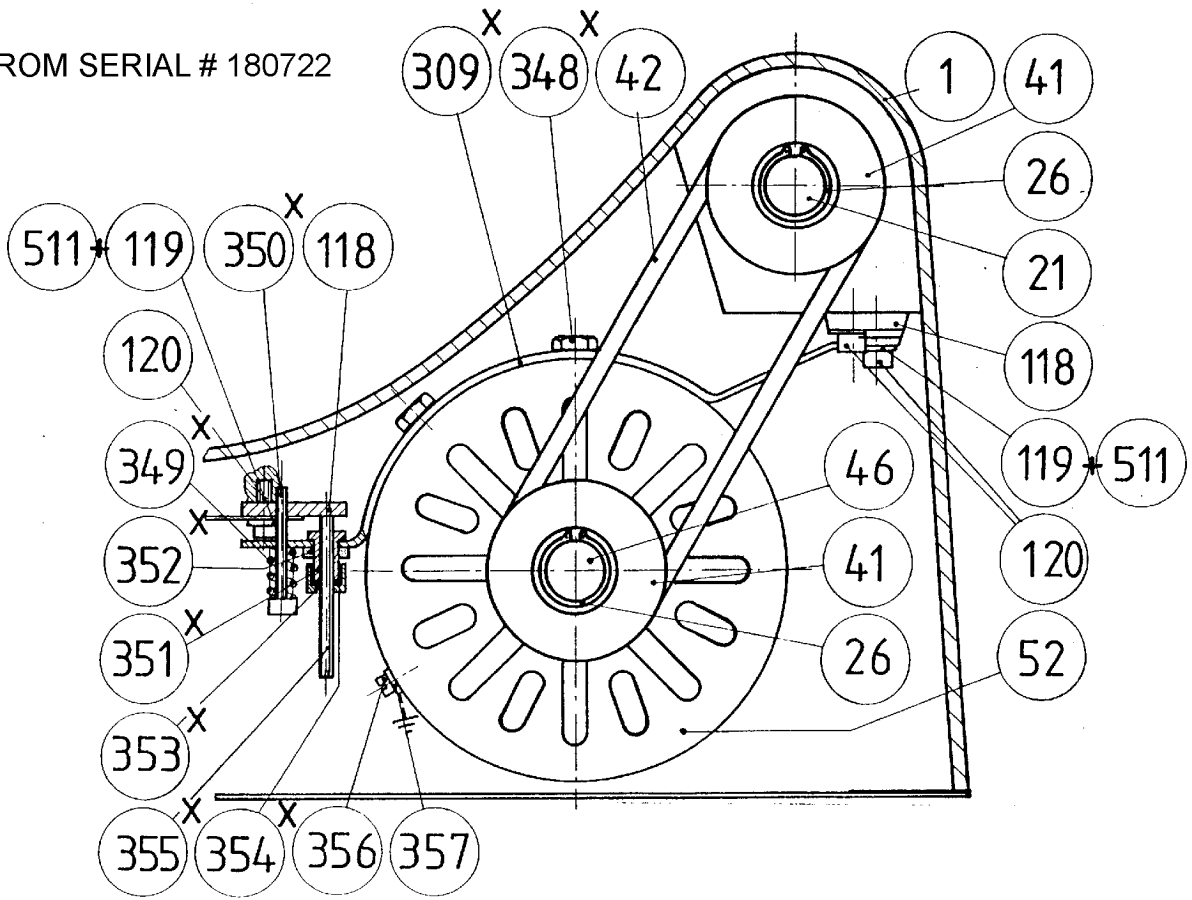


X - TO SERIAL # 600804

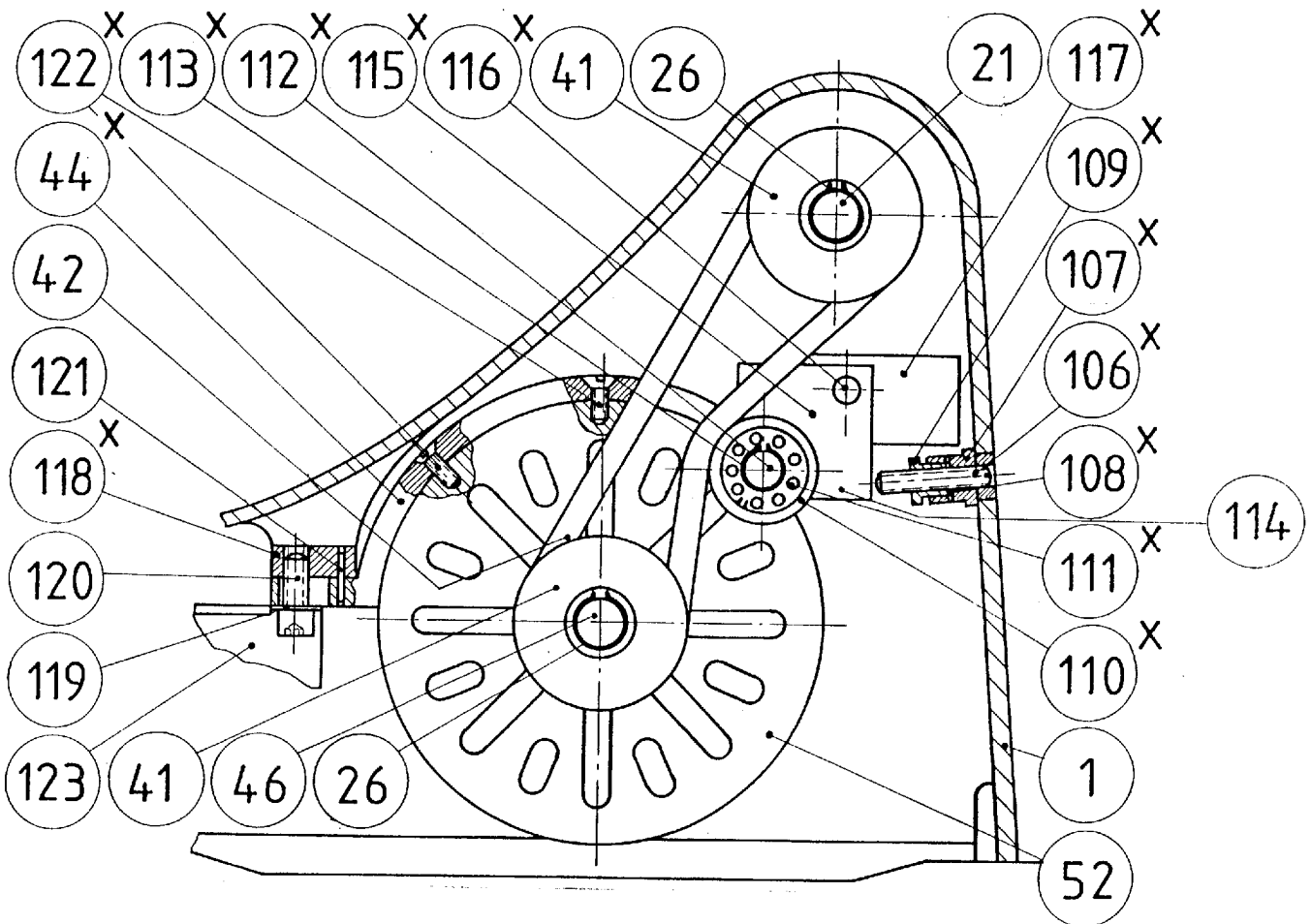




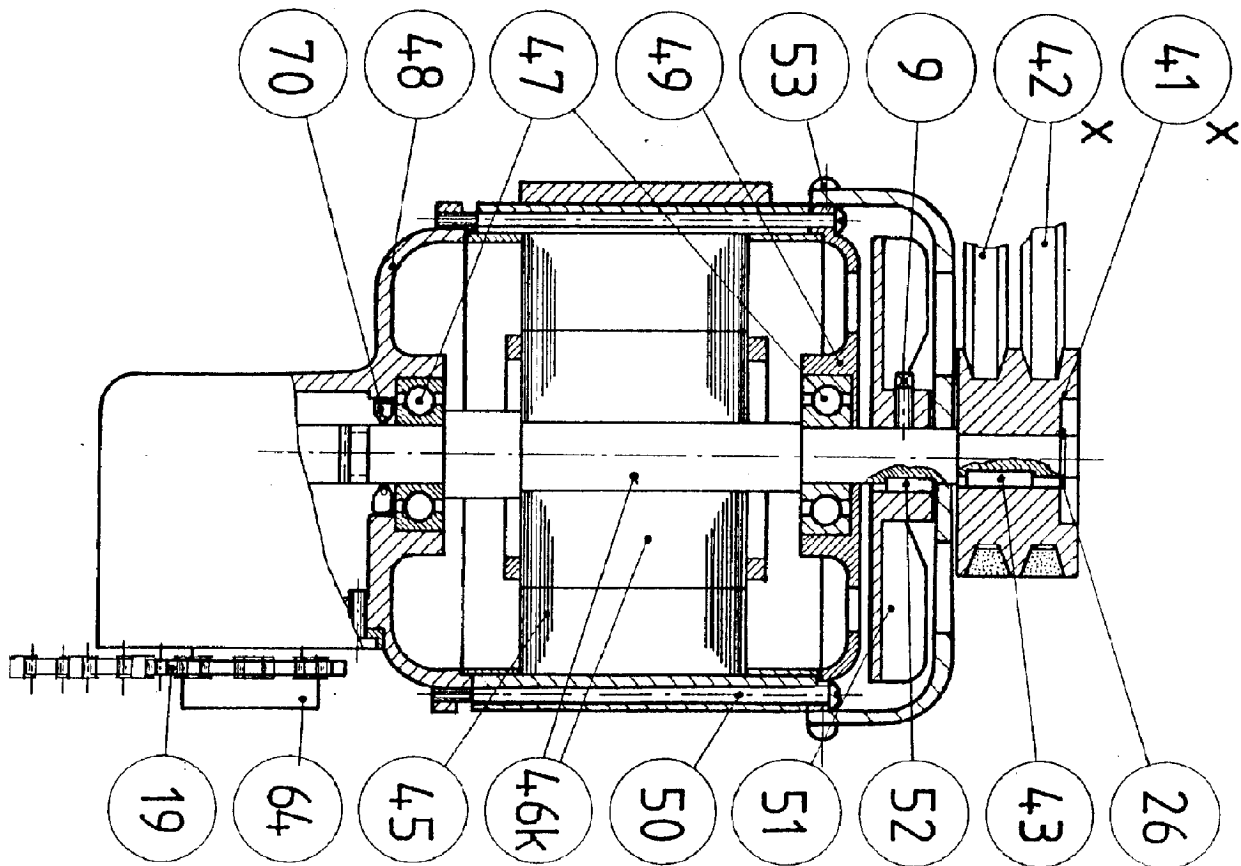
X - FROM SERIAL # 180722



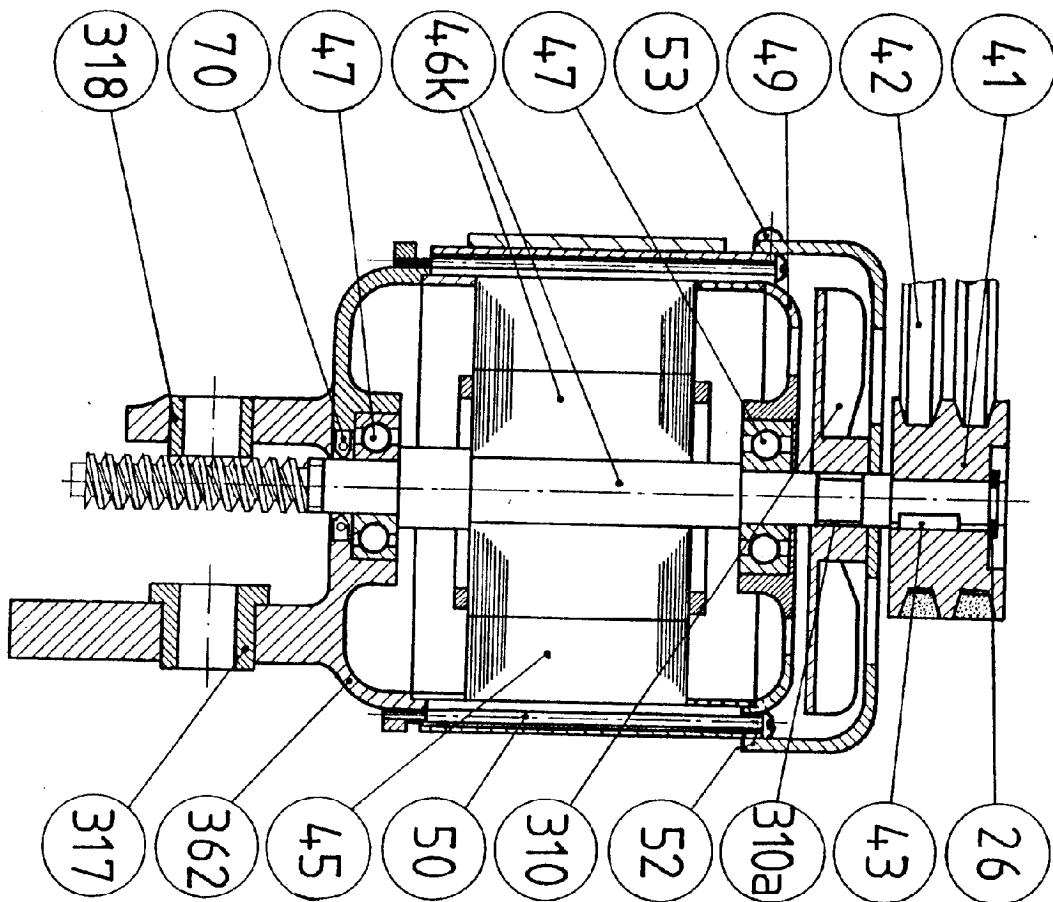
X - TO SERIAL # 180721



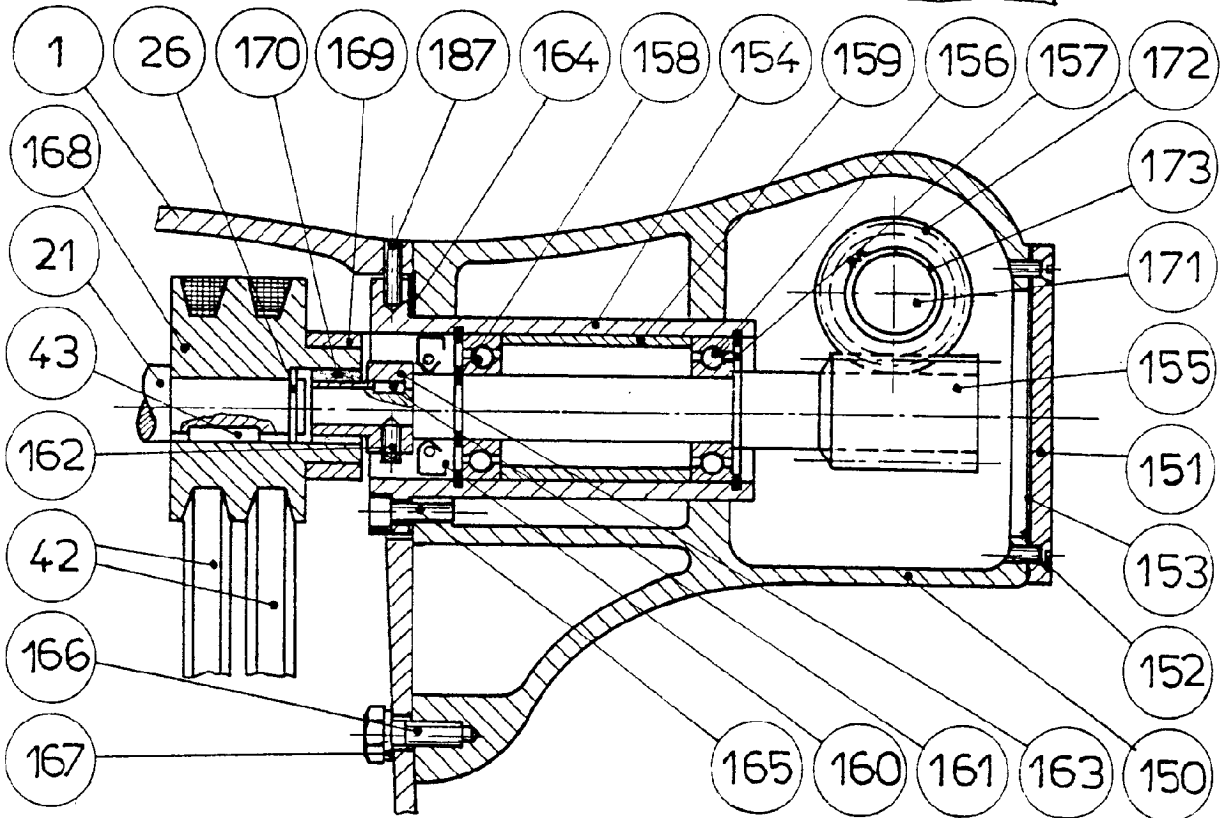
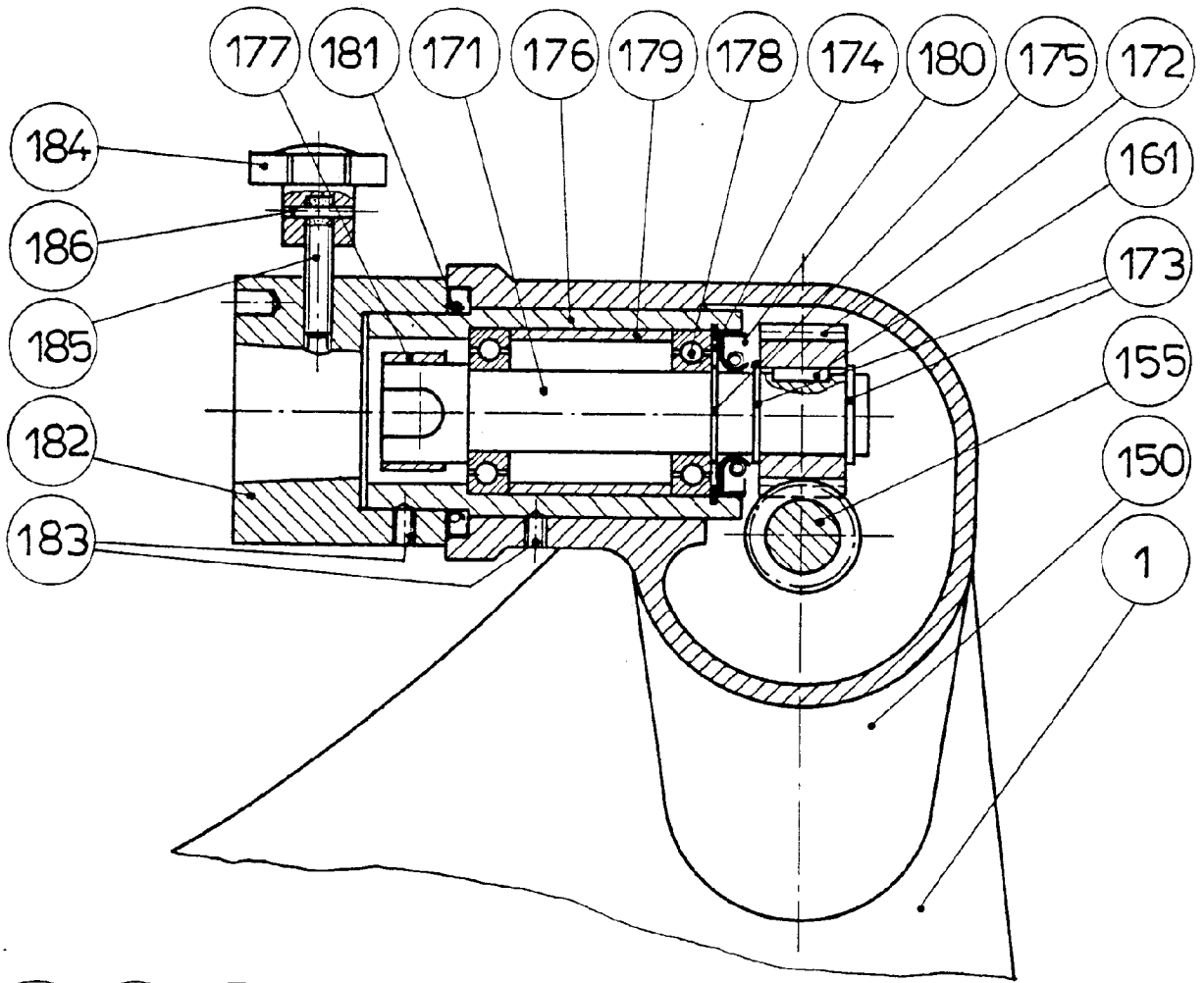
TO SERIAL # 640781 TOOTH BELT DRIVE
FROM SERIAL # 640782 - 182112 V-BELT DRIVE



FROM SERIAL # 182113



FROM SERIAL # 650110 - 681225



FROM SERIAL # 181952

