



Item # _____

Model 800A Series Manual Gravity Feed Slicers

- 825A 10" Knife
- 827A 12" Knife



Model 825A



Safety and Convenience Features

Berkel Models 825A and 827A manual gravity feed slicers feature Berkel's hollow ground, chromium-plated carbon steel knife and built-in, dual-action sharpener with convenient handle located on the sharpener cover. The tapered permanent guard covers the non-slicing portion of the knife even when the sharpener and center plate are removed. The 45° table makes product feed easier, creating more consistent and uniform slices with less waste. The compact space-saving design is ideal for limited kitchen counter space. Units are easy to clean and disassemble quickly without tools.

Standard Features

- 1-speed, 1/3 HP (825A), 1/2 HP (827A), totally enclosed and permanently lubricated knife motor
- Furnished in 115/60/1, 2.5 amp, AC, ETL listed
- Finish is stainless steel and sanitary, anodized aluminum; unit disassembles quickly without tools for easy cleaning
- 45° Product table
- 825A is a nominal 10" (250 mm) diameter;
- 827A is a nominal 12" (300 mm) diameter; hollow ground, hardened and polished forged chromium-plated carbon steel knife
- 825A carriage handles food up to 8-3/4" (222 mm) wide, by 6" (152 mm) high or 7" (178 mm) diameter; 827A carriage handles food up to 10-3/4" (273 mm) wide, by 7-5/8" (194 mm) high or 7-3/8" (187 mm) diameter
- Precise slice adjustment to a thickness of 9/16" (14 mm)
- Built-in, top-mounted, two stone knife sharpener with dual-action system
- Permanent, tapered knife ring guard covers non-slicing portion of knife even when the sharpener and center plate are removed; ring guard design provides more room behind the knife for easy cleaning
- Positive, moisture protected, rotary on/off switch and power indicator light
- Attached 6-foot, flexible, 3-wire cord and plug for grounded receptacle

Accessories

- Stainless steel vegetable chute with pusher (827A only)

Approved By: _____ Date _____
--



Manual Gravity Feed Slicer Model 800A Series

Berkel Company • 4406 Technology Drive • South Bend, IN 46628-9700
574-232-8222 • 800-348-0251 • FAX 888-888-2838 • www.berkel.com

Berkel

Model 800A Series Manual Gravity Feed Slicers

Manual Gravity Feed Slicer Model 800A Series

Model No.	Cutting Capacity	Slice Thickness	Knife Diameter	Product Dimensions		
				Width A	Depth B	Height C
825A	8-3/4" (222mm) wide 6" (152 mm) high 7" (178 mm) diameter	to 9/16" (14 mm)	10" (250mm)	17-1/2" (445 mm)	21-1/8" (537 mm)	15" (381 mm)
827A	10-3/4" (273 mm) wide 7-5/8" (194 mm) high 7-3/8" (187 mm) diameter	to 9/16" (14 mm)	12" (300mm)	20" (508 mm)	25-1/4" (641 mm)	16-7/8" (429 mm)

	Motor	Electrical	Weight Net	Ship	Box Dimensions		
					Width	Depth	Height
825A	1-speed 1/3 HP	115/60/1	37 lbs. (17 kg.)	47 lbs. (21 kg)	24-3/4" (629 mm)	19-3/4" (502 mm)	17-1/2" (445 mm)
827A	1-speed 1/2 HP	115/60/1	60 lbs. (28 kg.)	74 lbs. (35kg)	29" (737 mm)	24-1/2" (622 mm)	22-3/4" (578 mm)

Specifications

Motor: 1-speed, 1/3 HP (☐ 825A), 1/2 HP (☐ 827A), totally enclosed, permanently lubricated ball bearings, thermally protected.

Electrical: Furnished in 115/60/1, 2.5 amp, AC, ETL listed.

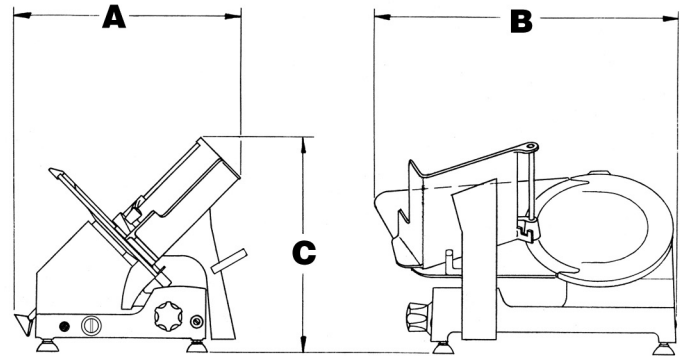
Finish/Construction: All food contact areas are stainless steel or anodized aluminum including the pusher, gauge plate, product table, center plate, slice deflector, ring guard, sharpener cover and one-piece base. Slicer disassembles quickly without tools for easy cleaning.

Knife: ☐ 825A is a nominal 10" (250 mm) diameter; ☐ 827A is a nominal 12" (300 mm) diameter, hollow ground, hardened and polished forged chromium-plated carbon steel.

Cutting Capacity: ☐ 825A carriage handles food up to 8-3/4" (222 mm) wide by 6" (152 mm) high or 7" (178 mm) diameter; ☐ 827A carriage handles food up to 10-3/4" (273 mm) wide by 7-5/8" (194 mm) high or 7-3/8" (187 mm) diameter.

Slice Thickness: Precision system provides infinite slice adjustment and consistent cuts of hard or soft foods from tissue thin to 9/16" (14 mm).

Full Gravity Feed: Full 45° angle feed requires less mechanical pressure. Equipped with anodized aluminum pusher to hold product and minimize waste.



Knife Sharpener: Built-in, top-mounted, two stone dual-action system for a lasting, razor-sharp edge. Unit is removable and submersible for easy cleaning.

Knife Ring Guard: Permanent, tapered guard covers non-slicing portion of knife edge even when the sharpener and center plate are removed. The ring guard is designed to provide added room behind the knife for easy cleaning.

On/Off Switch: Highly reliable, moisture resistant, rotary on/off switch and power indicator light.

Cord and Plug: Attached 6-foot, flexible, 3-wire cord and plug for grounded receptacle.

Warranty: All parts, service and travel coverage for one year, excluding wear items.

As we continually strive to improve our products, specifications are necessarily subject to change without notice.

**Berkel Company • 4406 Technology Drive • South Bend, IN 46628-9700
574-232-8222 • 800-348-0251 • FAX 888-888-2838 • www.berkel.com**

Berkel