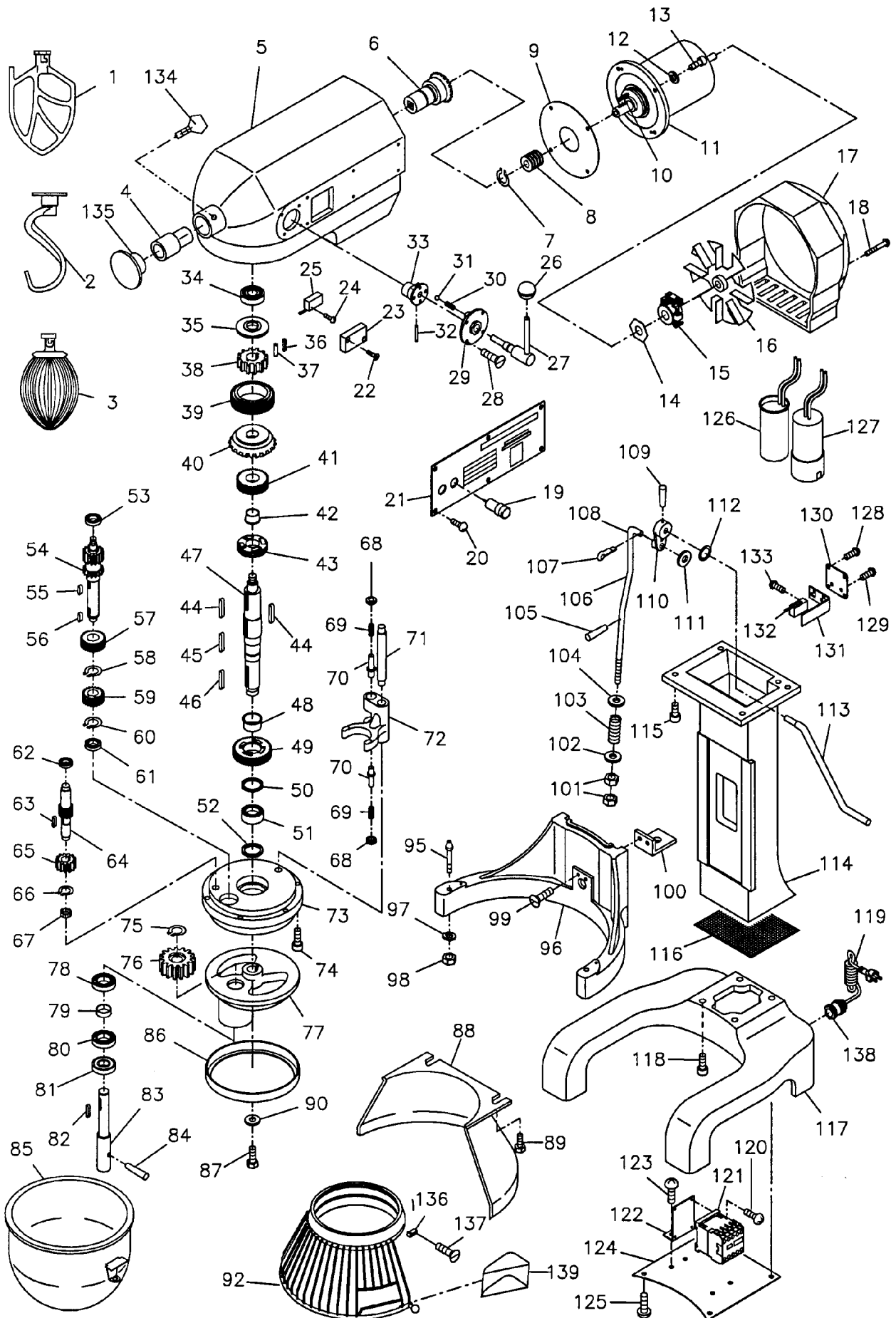




Model PM10 & PM20 Mixers

Exploded Views and Parts List

PM10

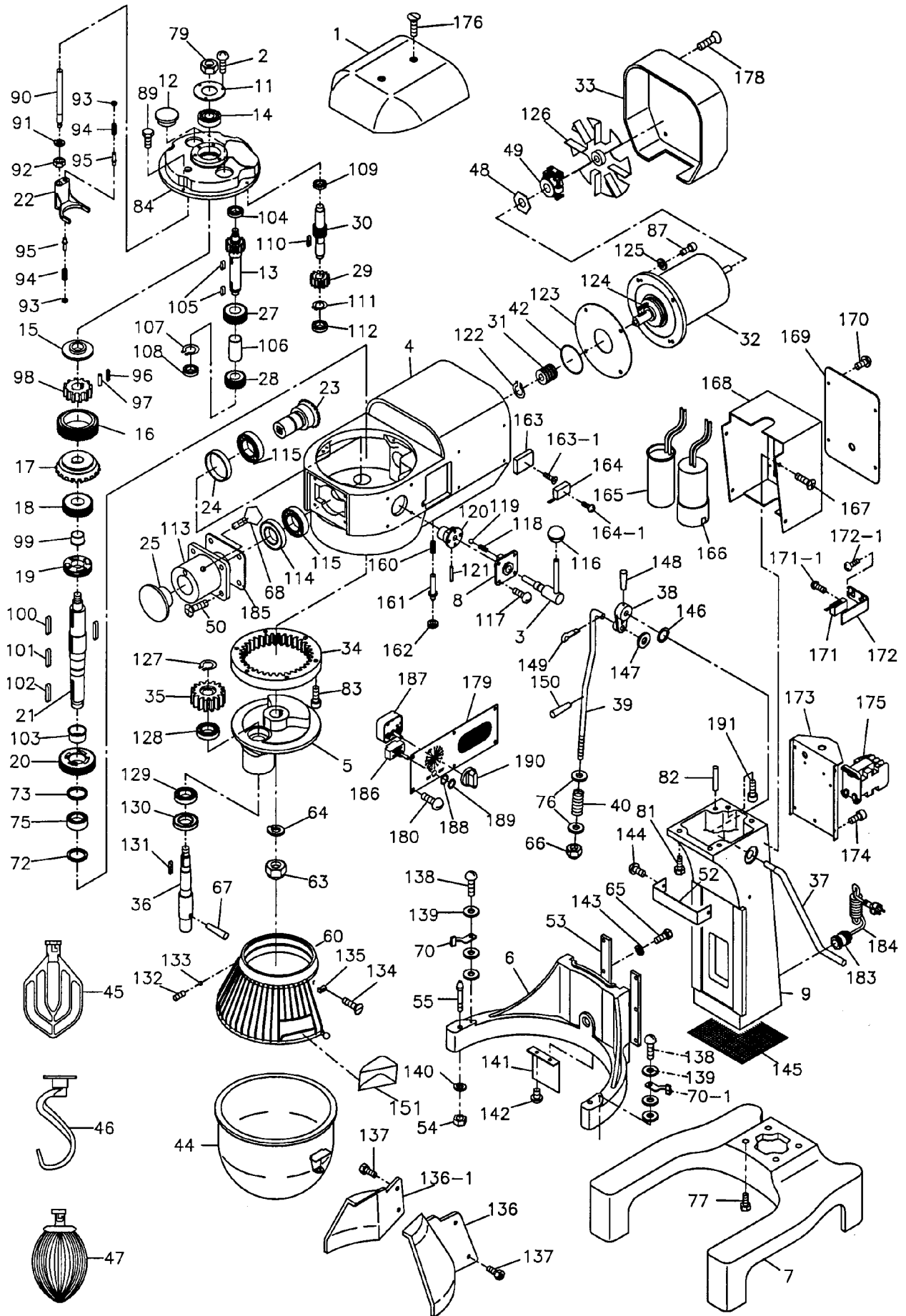


PM 10 PARTS LIST

ITEM #	DESCRIPTION	PART NUMBER
1	BEATER	PM10-00001
2	HOOK	PM10-00002
3	WHIP	PM10-00003
4	STEEL BUSHING	PM10-00004
5	POWER HEAD	PM10-00005
6	DRIVE BEVEL GEAR	PM10-00006
7	C CLAMP	PM10-00007
8	WORM	PM10-00008
9	GASKET	PM10-00009
10	MOTOR SHAFT	PM10-00010
11	MOTOR	PM10-00011
12	WASHER	PM10-00012
13	SCREW	PM10-00013
14	TERMINAL BOARD	PM10-00014
15	START WINDING	PM10-00015
16	FAN	PM10-00016
17	BACK COVER	PM10-00017
18	SCREW	PM10-00018
19	POWER BUTTON	PM10-00019
20	SCREW	PM10-00020
21	NAME PLATE	PM10-00021
22	SCREW	PM10-00022
23	MICRO SWITCH	PM10-00023
24	SCREW	PM10-00024
25	MICRO SWITCH	PM10-00025
26	PLASTIC KNOB	PM10-00026
27	SPEED CHANGE HANDLE	PM10-00027
28	SCREW	PM10-00028
29	COVER SP. CHANGE HANDLE	PM10-00029
30	SPRING	PM10-00030
31	STEEL BALL	PM10-00031
32	PIN	PM10-00032
33	CAM	PM10-00033
34	BEARING	PM10-00034
35	CAP	PM10-00035
36	SHEET SPRING	PM10-00036
37	PIN	PM10-00037
38	INNER SLOW SPEED GEAR	PM10-00038
39	OUTER SLOW SPEED GEAR	PM10-00039
40	BEVEL GEAR	PM10-00040
41	UPPER GEAR	PM10-00041
42	BUSHING	PM10-00042
43	CLUTCH GEAR	PM10-00043
44	KEY-WAY	PM10-00044
45	KEY-WAY	PM10-00045
46	KEY-WAY	PM10-00046
47	MAIN SHAFT	PM10-00047
48	BUSHING	PM10-00048
49	LOWER GEAR	PM10-00049
50	C- CLAMP	PM10-00050
51	BEARING	PM10-00051
52	BUSHING	PM10-00052
53	BEARING	PM10-00053
54	GEAR SHAFT	PM10-00054
55	KEY-WAY	PM10-00055
56	KEY-WAY	PM10-00056
57	WORM GEAR	PM10-00057
58	SHEET METAL SPRING	PM10-00058
59	GEAR	PM10-00059
60	SHEET METAL GEAR	PM10-00060
61	BEARING	PM10-00061
62	BEARING	PM10-00062
63	KEY-WAY	PM10-00063
64	GEAR SHAFT	PM10-00064
65	GEAR	PM10-00065
66	SHEET METAL SPRING	PM10-00066
67	BEARING	PM10-00067

ITEM #	DESCRIPTION	PART NUMBER
68	NUT	PM10-00068
69	SPRING	PM10-00069
70	PIN	PM10-00070
71	YOKE SHIFTER ROD	PM10-00071
72	YOKE SHIFTER	PM10-00072
73	GEAR BOX SUPPORT UNIT	PM10-00073
74	BOLT	PM10-00074
75	SNAP RING	PM10-00075
76	PLANETARY GEAR	PM10-00076
77	PLANETARY	PM10-00077
78	BEARING	PM10-00078
79	BUSHING	PM10-00079
80	BEARING	PM10-00080
81	OIL SEAL	PM10-00081
82	KEY-WAY	PM10-00082
83	BEATER SHAFT	PM10-00083
84	BEATER PIN	PM10-00084
85	STAINLESS STEEL BOWL	PM10-00085
86	WASHER	PM10-00086
87	HEX HEAD BOLT	PM10-00087
88	SPLASH GUARD	PM10-00088
89	SCREW	PM10-00089
92	SAFETY GUARD	PM10-00092
95	BOWL PIN	PM10-00095
96	BOWL SUPPORT UNIT	PM10-00096
97	SPRING WASHER	PM10-00097
98	HEX NUT	PM10-00098
99	BOLT	PM10-00099
100	METAL FIXING UNIT	PM10-00100
101	NUT	PM10-00101
102	WASHER	PM10-00102
103	SPRING	PM10-00103
104	WASHER	PM10-00104
105	PIN	PM10-00105
106	ROD BOWL LIFT	PM10-00106
107	PIN	PM10-00107
109	PIN	PM10-00109
110	ARM BOWL LIFT	PM10-00110
111	WASHER	PM10-00111
112	WASHER	PM10-00112
113	LEVER BOWL LIFT	PM10-00113
114	PEDESTAL	PM10-00114
115	BOLT	PM10-00115
116	SCREEN	PM10-00116
117	BASE	PM10-00117
118	BOLT	PM10-00118
119	POWER CORD	PM10-00119
120	SCREW	PM10-00120
121	CONTACTOR	PM10-00121
122	FIXING SHEET	PM10-00122
123	SCREW	PM10-00123
124	BOTTOM PLATE	PM10-00124
125	BOLT	PM10-00125
126	STARTING CAPACITOR	PM10-00126
127	CAPACITOR	PM10-00127
128	SCREW	PM10-00128
129	SCREW	PM10-00129
130	METAL SHEET PLATE	PM10-00130
131	MICRO SWITCH HOLDER	PM10-00131
132	MICRO SWITCH	PM10-00132
133	SCREW	PM10-00133
134	ATTACHMENT HUB SCREW	PM10-00134
135	ATTACHMENT HUB PLUG	PM10-00135
136	STOPPER	PM10-00136
137	SCREW	PM10-00137
138	WALL PLUG HARNESS	PM10-00138

PM20



PM 20 PARTS LIST

ITEM #	DESCRIPTION	PART NUMBER
1	COVER	PM20-00001
2	FLAT HEAD SCREW	PM20-00002
3	SPEED CHANGE HANDLE	PM20-00003-X
3A	SCREW FOR #3	PM20-00003-A
3X	SPEED CHANGE ASSEMBLY	PM20-00003-X
4	TRANSMISSION CASE	PM20-00004
4X	COMPLETE MOTOR CASE	PM20-00004-X
5	PLANETARY	PM20-00005
5X	PLANETARY ASSEMBLY	PM20-00005-X
6	BOWL SUPPORT	PM20-00006
7	BASE	PM20-00007
8	PLATE (SPEED CHANGE)	PM20-00003-X
9	PEDESTAL	PM20-00009
11	CENTER BEARING CAP	PM20-00011
12	PLASTIC PLUG	PM20-00012
13	TRANSMISSION SHAFT	PM20-00013
13X	TRANSMISSION SHAFT ASSY.	PM20-00013-X
14	BEARING #6203 CTR SHFT	2375-00010
15	UPPER SPACER	PM20-00015
16	SLOW SPEED GEAR 46T	PM20-00016
16A	SLOW SPPED ASSEMBLY	PM20-00016-A
17	ZERO BEVEL GEAR	PM20-00017
18	UPPER CLUTCH GEAR	PM20-00018
19	SLEEVE CLUTCH	PM20-00019
20	LOWER CLUTCH GEAR	PM20-00020
21	CENTER SHAFT	PM20-00021
22	YOKE SHIFTER	PM20-00022
23	BEVEL GEAR DRIVE	PM20-00023
24	SEAL BEVEL DRIVE	PM20-00024
25	ATTACHMENT HUB PLUG	PM20-00025
27	GEAR 3RD SPEED	PM20-00027
28	GEAR 2ND SPEED	PM20-00028
29	BRASS WORM GEAR	PM20-00029
30	WORM GEAR SHAFT	PM20-00030
31	WORM	PM20-00031
32	MOTOR	PM20-00032
33	MOTOR REAR HOUSING	PM20-00033
34	INTERNAL GEAR	PM20-00034
35	BEATER SHAFT GEAR	PM20-00035
36	BEATER SHAFT	PM20-00036
37	LEVER BOWL LIFT OUTER	PM20-00037
38	ARM BOWL LIFT MIDDLE	PM20-00038
39	ROD BOWL LIFT	PM20-00039
40	SPRING ROD BOWL LIFT	PM20-00040
42	SEAL 17x40x8 ROTOR	PM20-00042
44	BOWL	PM20-00044
45	FLAT BEATER	PM20-00045
46	DOUGH HOOK	PM20-00046
47	WIRE WHIP	PM20-00047
48	TERMINAL BOARD	PM20-00048

ITEM #	DESCRIPTION	PART NUMBER
49	START WINDING	PM20-00049
50	BOLT ATTACHMENT HUB	PM20-00050
52	APRON	PM20-00052
53	SLIDE WAYS	PM20-00053
54	BOWL PIN NUTS	PM20-00054
55	BOWL PIN	PM20-00055
60	SAFETY GUARD	PM20-00060
63	NUT CENTER SHFT BOTTOM	PM20-00063
64	LOCK WASHER	PM20-00064
65	BOLT SLIDEWAYS	PM20-00065
66	NUT 1/2 20	PM20-00066
67	BEATER PIN	PM20-00067
68	ATTACHMENT HUB SCREW	PM20-00068
70	LEFT BOWL CLAMP	PM20-00070
70-1	RIGHT BOWL CLAMP	PM20-00070-1
72	SEAL 25x40x9 CTR SHFT	PM20-00072
75	BEARING 6205 CTR SHFT	2375-00027
76	WASHER ROD BOWL LIFT	PM20-00076
77	BOLT BASE TO PEDESTAL	PM20-00077
79	NUT TOP CENTER SHAFT	PM20-00079
81	BOLT PEDESTAL TO CASE	PM20-00081
82	FIXING PIN	PM20-00082
83	BOLT PLANETARY GEAR	PM20-00083
84	SHAFT SUPPORT COVER	PM20-00084
87	MOTOR BOLT	PM20-00087
88	RESET SWITCH	PM20-00088
89	SCREW SHFT SUPPORT CVR	PM20-00089
90	YOKE SHIFT ROD	PM20-00090
91	WASHER YOKE SHIFTER	PM20-00091
92	NUT YOKE SHIFTER	PM20-00092
93	SCREW YOKE SHIFTER	PM20-00093
94	SPRING YOKE SHIFTER	PM20-00094
95	BOLT YOKE SHIFTER	PM20-00095
96	CLIP SLOW SPEED GEAR	PM20-00096
97	PIN SLOW SPEED GEAR	PM20-00097
98	INNER SLOW SPEED GEAR	PM20-00098
99	METAL BUSHING	PM20-00099
100	KEY CENTER SHAFT	PM20-00100
101	KEY CENTER SHAFT	PM20-00101
102	KEY CENTER SHAFT	PM20-00102
103	METAL BUSHING	PM20-00103
104	BEARING 6201 TRANS.	2375-00158
105	KEY TRANSMISSION SHAFT	PM20-00105
106	SPACER TRANSMISSION	PM20-00106
107	SNAP RING TRANS. SHAFT	PM20-00107
108	BEARING 6201 TRANS.	2375-00158
109	BEARING 6201 WORM	2375-00158
110	KEY WORM GEAR SHAFT	PM20-00110
111	SNAP RING WORM GEAR	PM20-00111
112	BEARING 6201 WORM	2375-00158

PM 20 PARTS LIST

ITEM #	DESCRIPTION	PART NUMBER
113	ATTACHMENT HUB	PM20-00113
114	SEAL 30x50x8 ATTACH.HUB	PM20-00114
115	BEARING 6006 ATT.HUB	PM20-00115
116	BALL HANDLE	PM20-00116
117	SCREW SPPED CHANGE	PM20-00117
118	SPRING SPEED CHANGE	PM20-00003-X
119	BALL SPEED CHANGE	PM20-00003-X
120	SPEED CHANGE MECHANISM	PM20-00003-X
121	PIN SPEED CHANGE MECH	PM20-00003-X
122	SNAP RING MOTOR	PM20-00122
123	GASKET MOTOR	PM20-00123
124	KEY ROTOR	PM20-00124
125	LOCK WASHER	PM20-00125
126	FAN	PM20-00126
127	SNAP RING BTR SHAFT	PM20-00127
128	BEARING 6203 BTR SHAFT	2375-00010
129	BEARING 6204 BTR SHAFT	2301-07021
130	SEAL 25x47x10 BTR SHAFT	PM20-00130
131	KEY BEATER SHAFT	PM20-00131
132	SCREW SAFETY GUARD	PM20-00132
133	BALL BEARING SFTY GUARD	PM20-00133
134	SCREW SAFETY GUARD	PM20-00134
135	SAFETY GUARD STOP	PM20-00135
136	SPLASH GUARD RIGHT	PM20-00136
136-1	SPLASH GUARD LEFT	PM20-00136-1
137	SCREW SPLASH GUARD	PM20-00137
138	SCREW BOWL CLAMP	PM20-00138
139	WASHER BOWL CLAMP	PM20-00139
140	WASHER BOWL PIN	PM20-00140
141	PROTECTIVE BAFFLE	PM20-00141
142	SCREW PROTECTIVE BAFFLE	PM20-00142
143	NUT SLIDEWAYS	PM20-00143
144	SCREW APRON	PM20-00144
145	SCREEN	PM20-00145
146	WASHER ARM BOWL LIFT	PM20-00146
147	WASHER ARM BOWL LIFT	PM20-00147
148	PIN ARM BOWL LIFT	PM20-00148
149	PIN ROD BOWL LIFT	PM20-00149
150	PIN ROD BOWL LIFT	PM20-00150
160	SCREW SAFETY GUARD	PM20-00160
161	SAFETY GUARD ACTIVATOR	PM20-00161
162	NUT SAFETY GUARD TRIGGER	PM20-00162
163	PLATE MICROWSWITCH	PM20-00163
163-1	SCREW	PM20-00163-1
164	MICROWSWITCH SFTY GRD	PM20-00164
164-1	SCREW	PM20-00164-1
165	CAPACITOR 250 VAC	PM20-00165
166	CAPACITOR 150 VAC	PM20-00166
167	SCREW MOUNTING BRACKET	PM20-00167

ITEM #	DESCRIPTION	PART NUMBER
168	MOUNTING BRACKET	PM20-00168
169	MOUNT BRACKET COVER	PM20-00169
170	SCREW MOUNTING BRACKET	PM20-00170
171	BOWL MICROWSWITCH	PM20-00171
171-1	SCREW	PM20-00171-1
172	BRACKET MICROWSWITCH	PM20-00172
172-1	SCREW	PM20-00172-1
173	MOUNTING BRACKET BACK	PM20-00173
174	SCREW MOUNTING BRACKET	PM20-00174
175	MAGNETIC CONTACTOR	PM20-00175
176	TOP COVER SCREW	PM20-00176
178	REAR COVER SCREW	PM20-00178
179	NAME PLATE	PM20-00179
180	NAME PLTAE SCREW	PM20-00180
183	CORD BUSHING	PM20-00183
184	CORD	4175-00031
185	ATTACHMENT HUB GASKET	PM20-00185
186	TOGGLE SWITCH	PM20-00186
187	TIMER	PM20-00187
188	TOGGLE SWITCH WASHER	PM20-00188
189	TOGGLE SWITCH NUT	PM20-00189
190	TIMER SWITHC KNOB	PM20-00190
191	SCREW	PM20-00191

