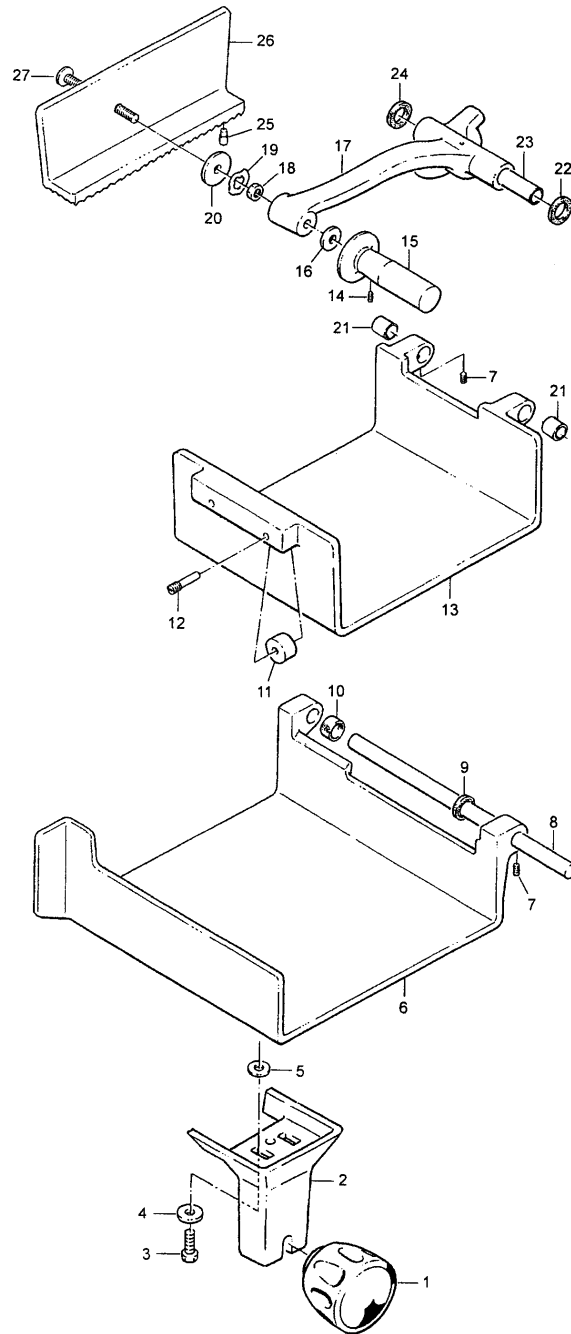




MODEL 850A

EXPLODED VIEWS AND PARTS LISTS

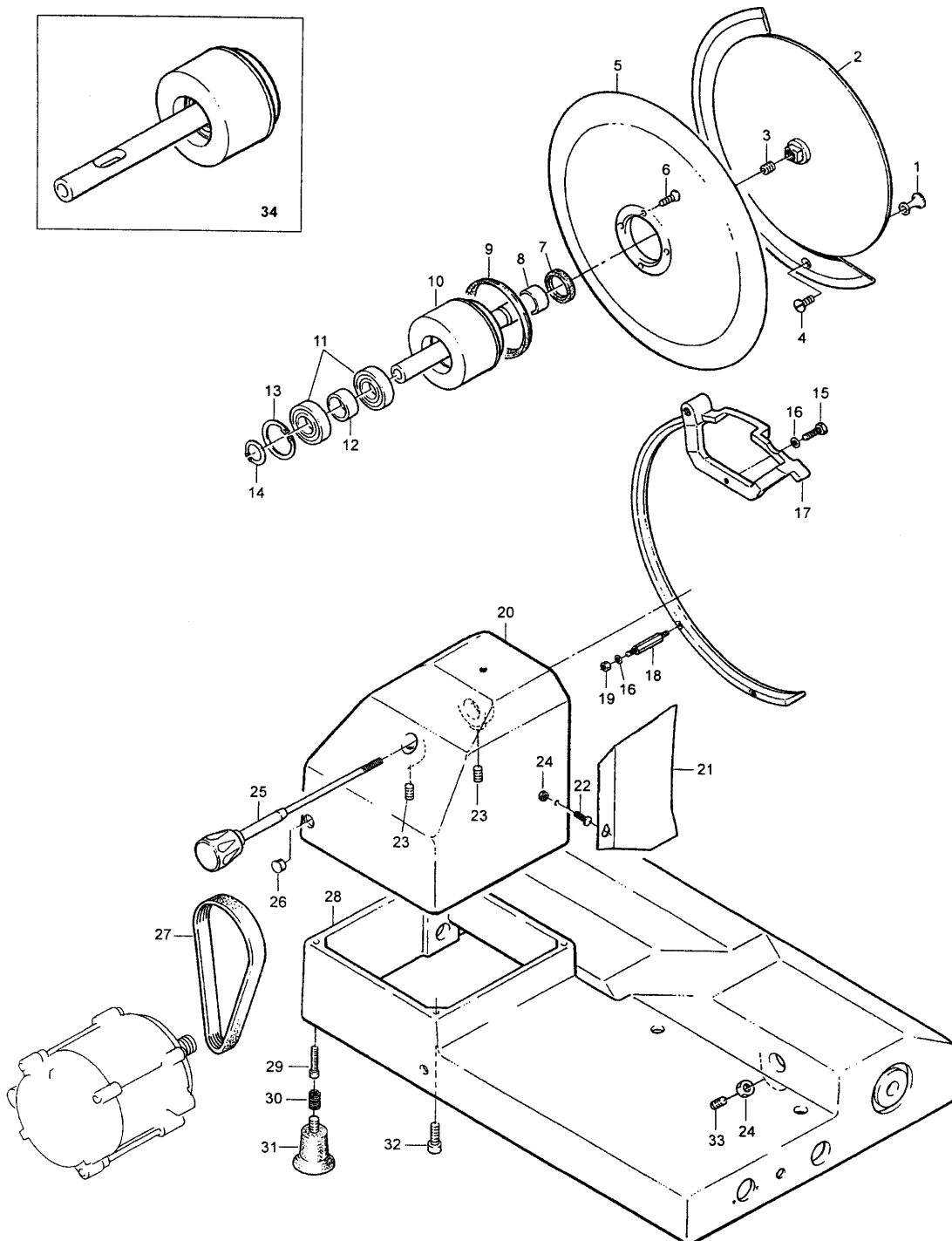
MEAT TABLE ASSEMBLY



MEAT TABLE ASSEMBLY

| Item | Description | Part Number |
|------|--------------------|-------------|
| 1 | Knob | 827A-00040 |
| 2 | Meat Table Support | 850-00010 |
| 3 | Screw | 825-00122 |
| 4 | Washer | 827-00131 |
| 5 | Washer | 2275-03071 |
| 6 | Meat Table | 850-00013 |
| 7 | Set Screw | 825-00086 |
| 8 | Shaft | 850-00014 |
| 9 | Plastic Spacer | 850-00015 |
| 10 | Spacer | 850-00016 |
| 11 | Nylon Wheel | 850-00017 |
| 12 | Pin | 850-00018 |
| 13 | Upper Table | 850-00019 |
| 14 | Spring Lock Washer | 850-00020 |
| 15 | Handle | 850-00021 |
| 16 | Nylon Washer | 850-00022 |
| 17 | Arc | 850-00023 |
| 18 | Nut | 827-00130 |
| 19 | Washer | 827-00095 |
| 20 | Nylon Washer | 850-00024 |
| 21 | Bushing | 850-00025 |
| 22 | Nylon Washer | 850-00026 |
| 23 | Tube | 850-00027 |
| 24 | Nylon Washer | 850-00028 |
| 25 | Retainer | 850-00029 |
| 26 | Hand Grip | 850-00030 |
| 27 | Screw | 850-00031 |

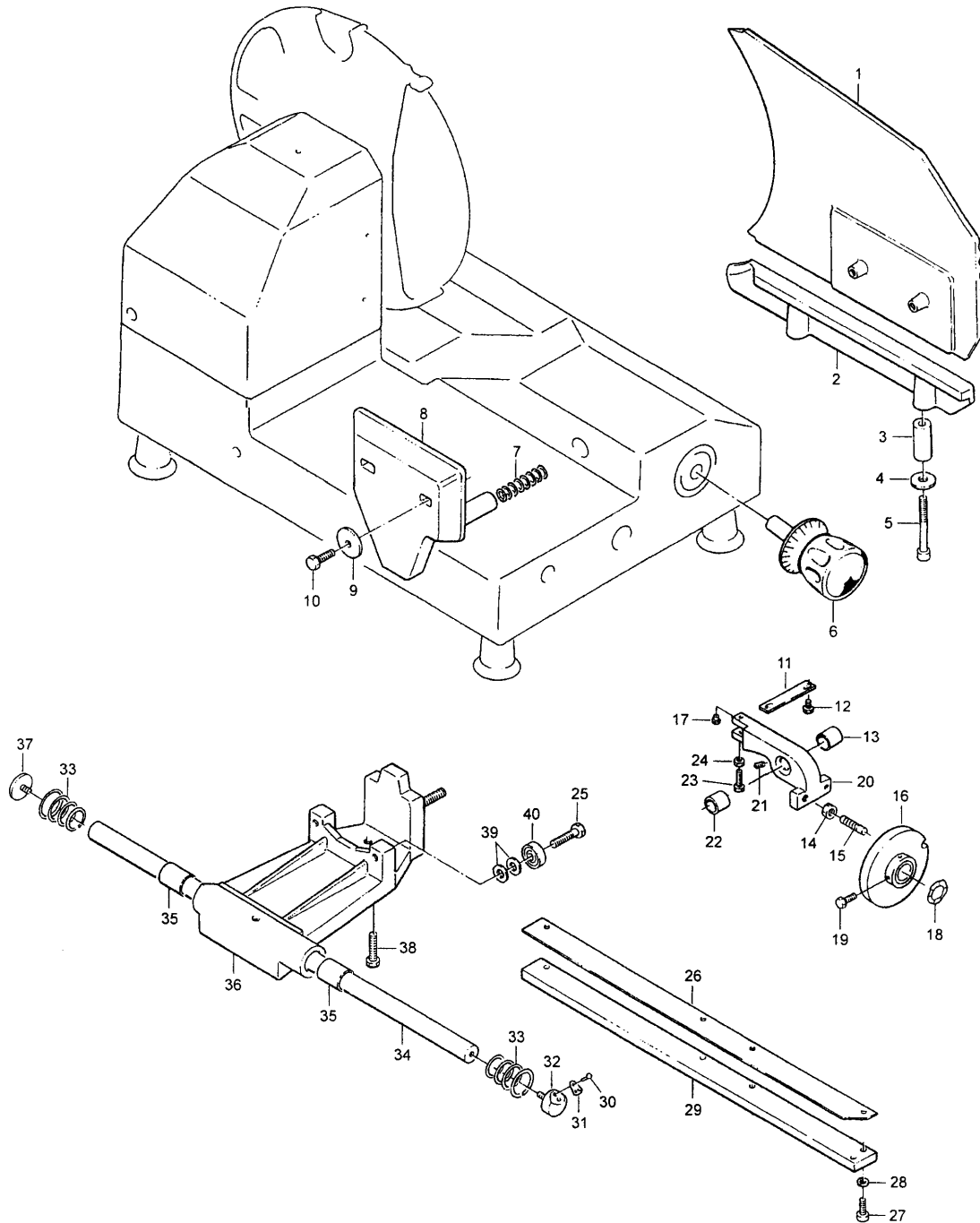
KNIFE AND HOUSING ASSEMBLY



KNIFE AND HOUSING ASSEMBLY

| Item | Description | Part Number |
|------|--------------------------|-------------|
| 1 | Knob | 823-00403 |
| 2 | Center Plate | 829-00002 |
| 3 | Insert | 827-00135 |
| 4 | Screw | 827-00074 |
| 5 | Knife | 829-00073 |
| 6 | Screw | 827-00074 |
| 7 | Rubber Ring | 827-00209 |
| 8 | Pulley Shaft | N/A |
| 9 | Rubber Ring | 850-00001 |
| 10 | Pulley Complete | 829-00067 |
| 11 | Bearing | 2375-00103 |
| 12 | Bearing Spacer | 827-00070 |
| 13 | Circlip | 825-00071 |
| 14 | Circlip | 825-00072 |
| 15 | Screw | 825-00122 |
| 16 | Washer | 2275-03071 |
| 17 | Ring Guard | 850-00003 |
| 18 | Spacer | 850-00004 |
| 19 | Nut | 850-00005 |
| 20 | Housing | N/A |
| 21 | Slice Deflector | 829-00011 |
| 22 | Screw | 829-00091 |
| 23 | Set Screw | 827-00086 |
| 24 | Nut | 827-00146 |
| 25 | Tie Rod | 827A-00075A |
| 26 | Plug | 850-00006 |
| 27 | Belt | 850-00066-B |
| 28 | Housing | N/A |
| 29 | Screw | 850-00008 |
| 30 | Insert | 850-00009 |
| 31 | Foot | 827-00093 |
| 32 | Screw | 827-00021 |
| 33 | Set Screw | 827-00086 |
| 34 | Pulley Assembly Complete | 829-00067 |

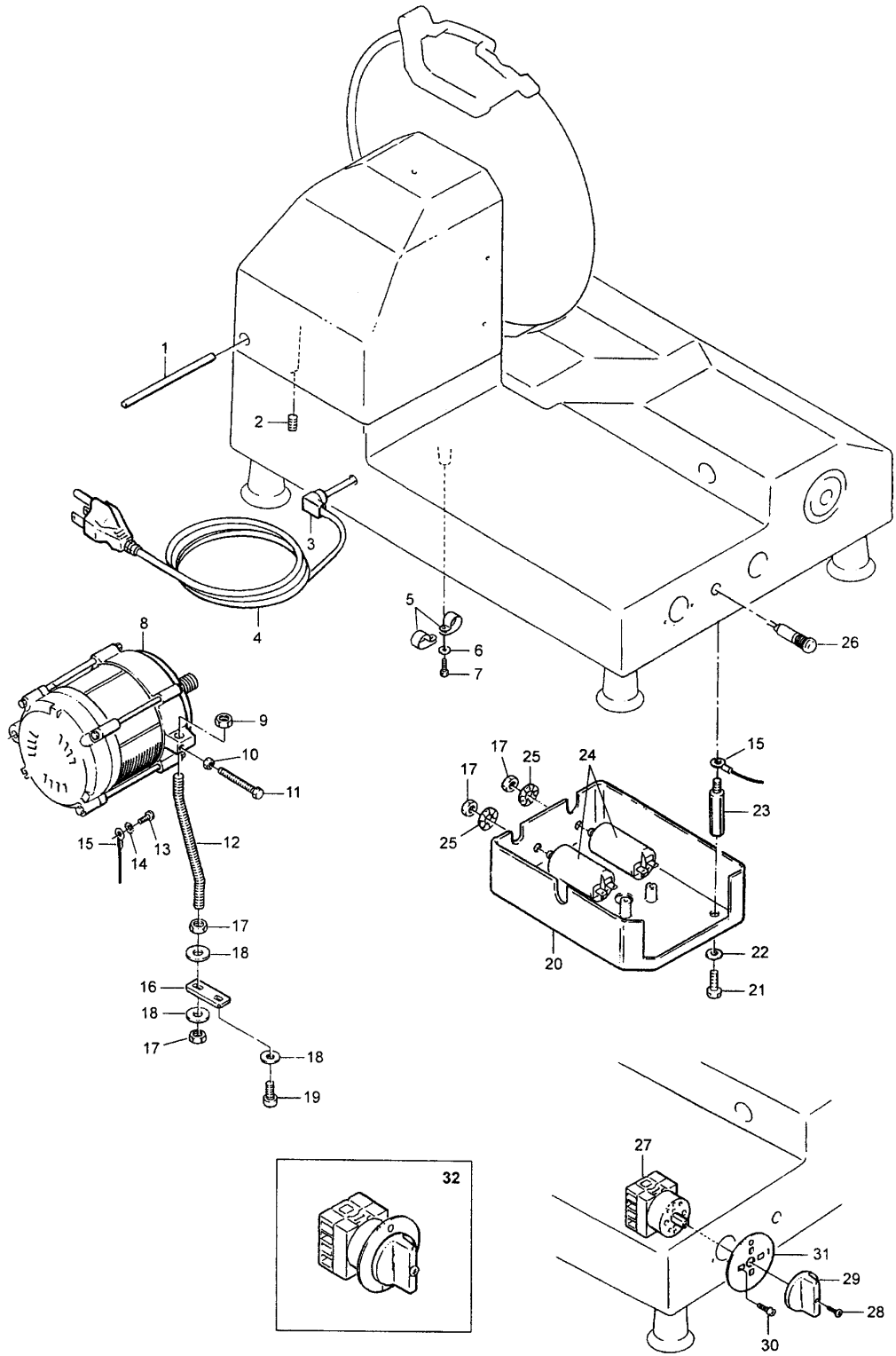
Carriage and Index Assembly



CARRIAGE AND INDEX ASSEMBLY

| Item | Description | Part Number |
|------|---------------------|-------------|
| 1 | Gauge Plate | 850-00032 |
| 2 | Support | 850-00033 |
| 3 | Spacer | 850-00034 |
| 4 | Washer | 823-00102 |
| 5 | Screw | 850-00035 |
| 6 | Index Knob | 850-00036 |
| 7 | Spring | 829-00024 |
| 8 | Gauge Plate Support | 850-00037 |
| 9 | Washer | 850-00038 |
| 10 | Screw | 825-00122 |
| 11 | Plate | 827-00026 |
| 12 | Screw | 827-00032 |
| 13 | Bushing | 827-00219 |
| 14 | Nut | 827-00033 |
| 15 | Cam Pin | 827-00027 |
| 16 | Index Cam | 829-00029 |
| 17 | Nylon Pin | 827-00030 |
| 18 | Washer | 827-00095 |
| 19 | Screw | 825-00021 |
| 20 | Support | 850-00039 |
| 21 | Set Screw | 827-00086 |
| 22 | Bushing | 827-00219 |
| 23 | Screw | 827-00028 |
| 24 | Nut | 827-00029 |
| 25 | Screw | 829-00017 |
| 26 | Plate | 829-00092 |
| 27 | Screw | 827-00021 |
| 28 | Washer | 823-00114 |
| 29 | Square Rail | 829-00014 |
| 30 | Rivet | 829-00096 |
| 31 | Oil Plate | 827-00097 |
| 32 | Ball Oiler | 829-00099 |
| 33 | Spring | 829-00020 |
| 34 | Round Rail | 829-00013 |
| 35 | Bushing | N/A |
| 36 | Carriage | 850-00012 |
| 37 | Screw | 829-00050 |
| 38 | Nylon Screw | 827-00129 |
| 39 | Washer | 827-00016 |
| 40 | Bearing | 827-00015 |

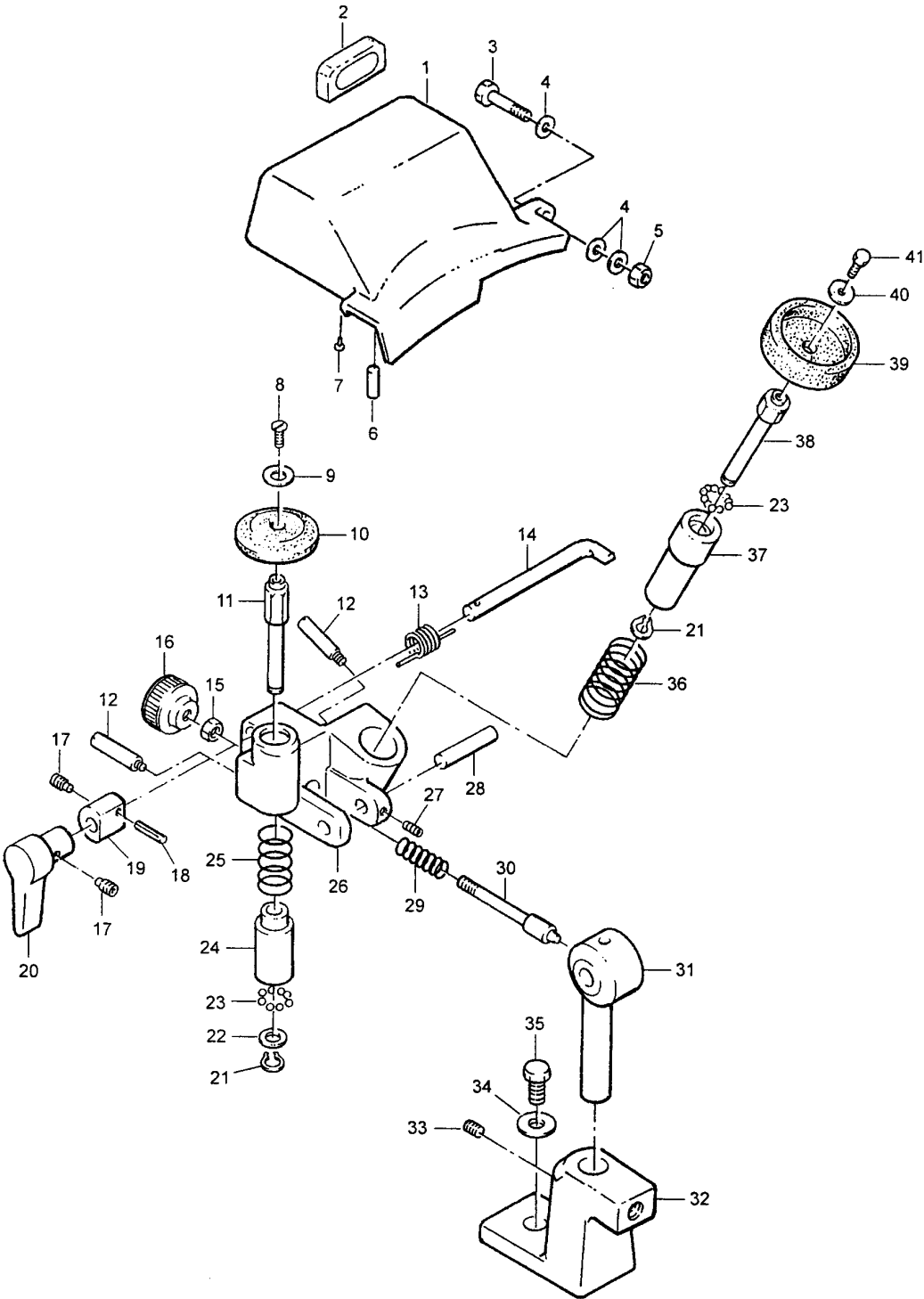
Housing and Electrical



HOUSING AND ELECTRICAL

| Item | Description | Part Number |
|------|-----------------|----------------|
| 1 | Motor Pin | 827-00074 |
| 2 | Set Screw | 827-00086 |
| 3 | Locking Plate | 827-00127 |
| 4 | Cable | 4175-00031 |
| 5 | Plate | 3675-00224 |
| 6 | Washer | 825-00006 |
| 7 | Screw | 825-00021 |
| 8 | Motor Pin | 829-00048 |
| 9 | Nut | 2101-07041 |
| 10 | Nut | 827-00029 |
| 11 | Screw | 827-00062 |
| 12 | Tie Rod | 850-00049 |
| 13 | Screw | N/A |
| 14 | Lock Washer | N/A |
| 15 | Terminal | N/A |
| 16 | Plate | 823-00055 |
| 17 | Nut | 823-00106 |
| 18 | Washer | 823-00102 |
| 19 | Screw | 827-00058 |
| 20 | Box | 825-00405 |
| 21 | Screw | 825-00021 |
| 22 | Washer | 825-00006 |
| 23 | Spacer | 829-00128 |
| 24 | Capacitor | 829-00042 |
| 25 | Washer | 829-00402 |
| 26 | Pilot Light | 825-00041 |
| 27 | Switch | 827A-00039-02 |
| 28 | Screw | 827A-00400 |
| 29 | Knob | 827A-00036-02 |
| 30 | Screw | 827A-00401 |
| 31 | Badge | 827A-00039-B02 |
| 32 | Switch Complete | 827A-00039-02 |

SHARPENER ASSEMBLY



Sharpener Assembly

| Item | Description | Part Number |
|------|----------------|-------------|
| 1 | Cover | 829-00010 |
| 2 | Flag | I2062RED |
| 3 | Screw | 829-00405 |
| 4 | Washer | 829-00403 |
| 5 | Nut | 827-00033 |
| 6 | Spacer | 829-00115 |
| 7 | Rubber Stopper | 825-00032 |
| 8 | Screw | 827-00074 |
| 9 | Washer | 829-00133 |
| 10 | Stone | 829-00409 |
| 11 | Shaft | 829-00132 |
| 12 | Pin | 829-00130 |
| 13 | Spring | 829-00112 |
| 14 | Lever | 829-00122 |
| 15 | Nut | 827-00146 |
| 16 | Knob | 829-00131 |
| 17 | Set Screw | 829-00125 |
| 18 | Pin | 829-00126 |
| 19 | Bushing | 829-00129 |
| 20 | Handle | 829-00127 |
| 21 | Circlip | 829-00112 |
| 22 | Washer | 829-00121 |
| 23 | Ball | 829-00110 |
| 24 | Bushing | 829-00123 |
| 25 | Spring | 829-00124 |
| 26 | Frame | N/A |
| 27 | Set Screw | 829-00407 |
| 28 | Pin | 829-00114 |
| 29 | Spring | 829-00120 |
| 30 | Pin | 829-00116 |
| 31 | Support | 829-00117 |
| 32 | Support | 850-00040 |
| 33 | Set Screw | 829-00119 |
| 34 | Washer | 2275-03071 |
| 35 | Screw | 825-00122 |
| 36 | Spring | 829-00113 |
| 37 | Busing | 829-00111 |
| 38 | Shaft | 829-00109 |
| 39 | Stone | 829-00408 |
| 40 | Washer | 825-00006 |
| 41 | Screw | 825-00021 |

