

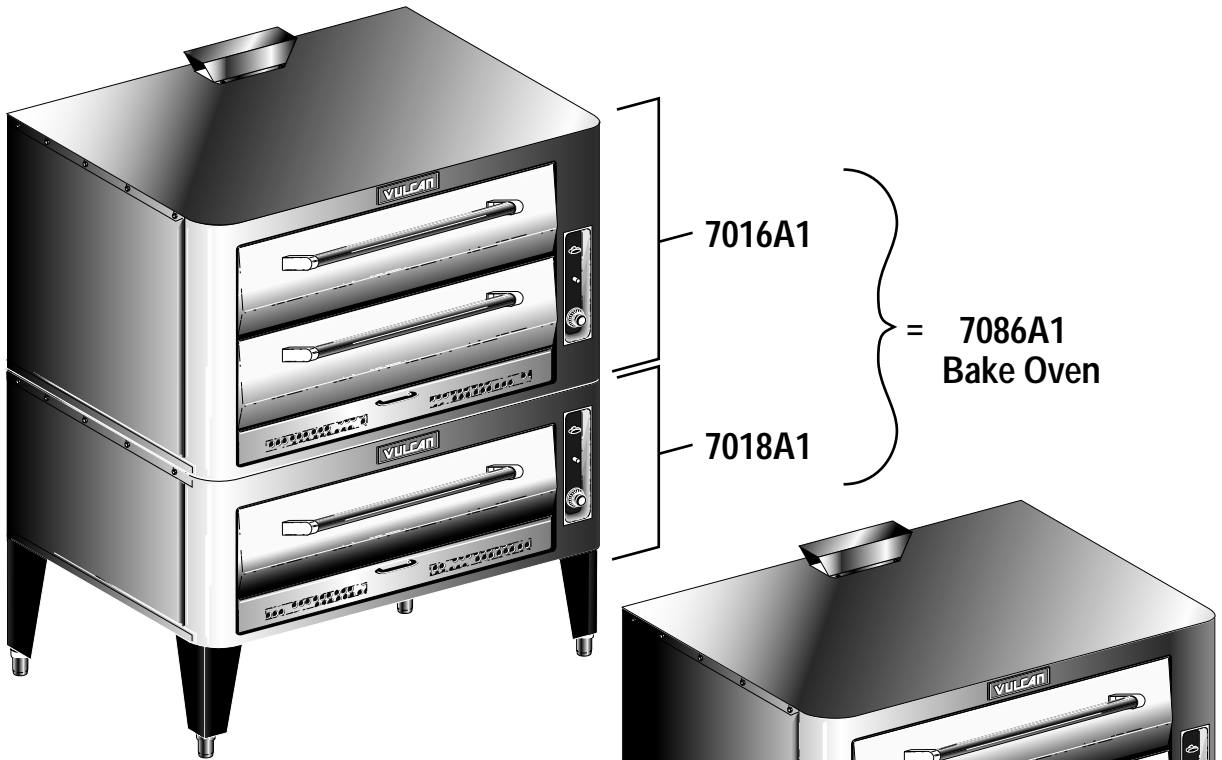
## REPLACEMENT PARTS MANUAL FOR 7000 SERIES BAKE AND ROAST OVENS



**Table of Contents**

<b>Page</b>	<b>Description</b>
5	Doors
7	Panels and Legs
9	Oven Cavity
11	Burner and Pilot
13	Piping-Gas
15	Miscellaneous

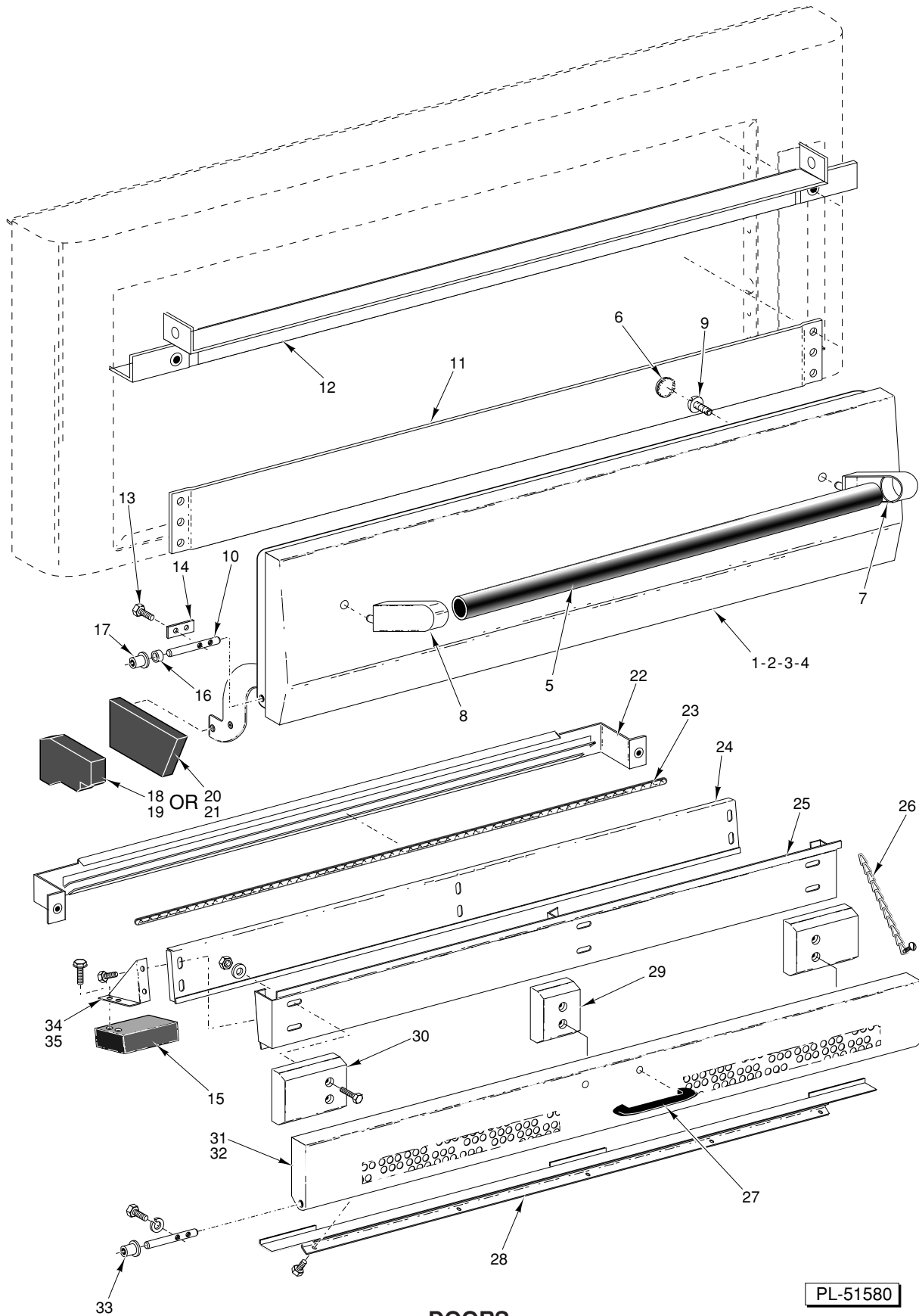
Note: Quantities are listed per Unit (7018A1, 7016A1 or 7019A1) unless otherwise stated.  
Adjust quantities for stacked oven series models.



**Roast & Bake Combination Ovens**

- (One) 7019A1 + (One) 7018A1 = 7098A1
- (One) 7019A1 + (One) 7016A1 = 7096A1
- (One) 7019A1 + (Two) 7018A1 = 7988A1
- (Two) 7019A1 + (One) 7018A1 = 7998A1

PL-51584



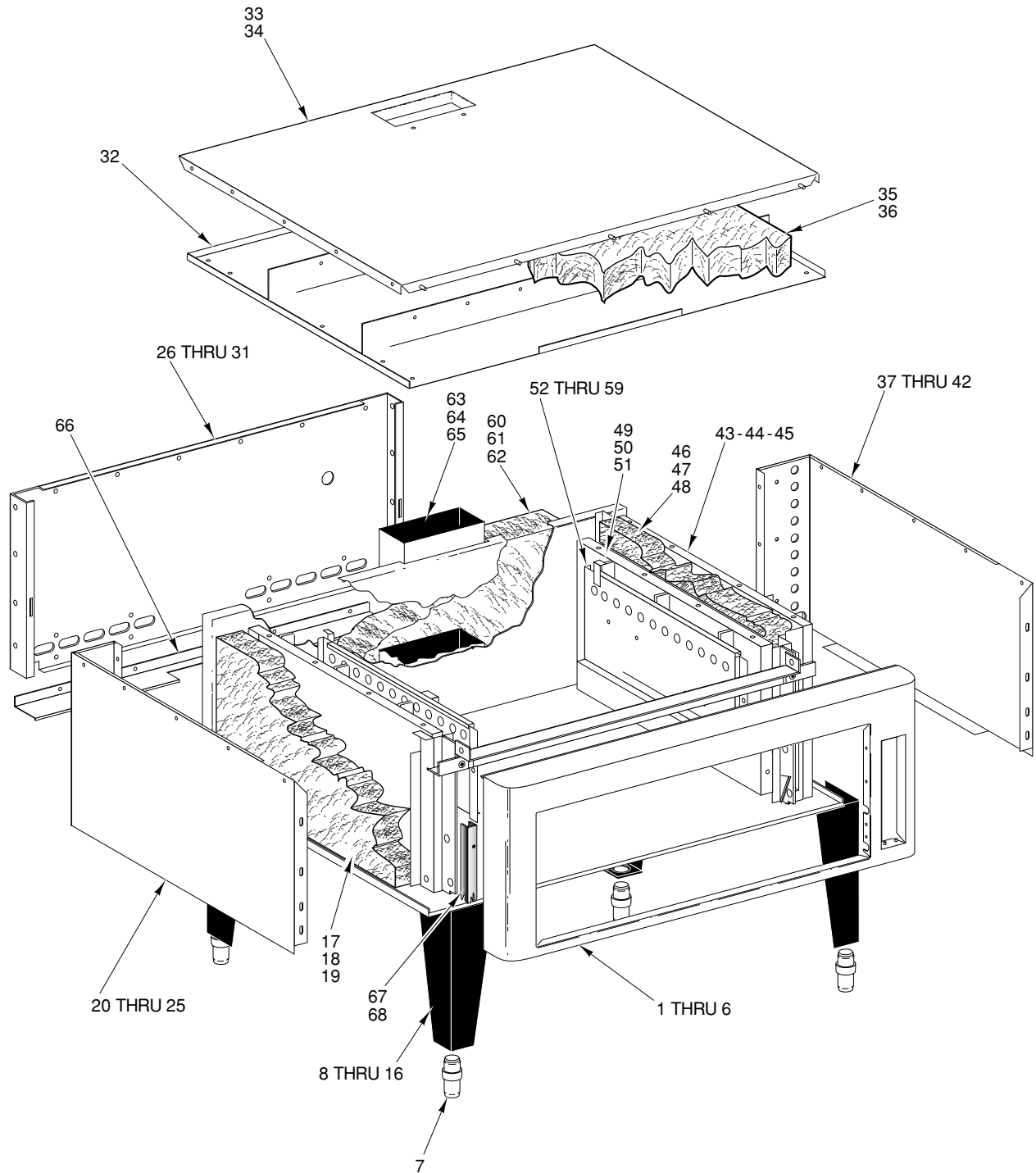
**DOORS**

PL-51580

DOORS

ILLUS. PL-51580	PART NO.	NAME OF PART	AMT.
1	419789-G1	Door Assy. - Complete (PTD) 7018A1 & 7016A1 Series (Incls. items 5 thru 10, 13 & 14) .....	AR
2	419789-G2	Door Assy. - Complete (PTD) 7019A1 Series (Incls. items 5 thru 10, 13 & 14) .....	1
3	419789-G3	Door Assy. - Complete (SST) 7018A1 & 7016A1 Series (Incls. items 5 thru 10, 13 & 14) .....	AR
4	419789-G4	Door Assy. - Complete (SST) 7019A1 Series (Incls. items 5 thru 10, 13 & 14) .....	1
5	401847-1	Handle - Door .....	1
6	PB-4-73	Plug Button .....	2
7	404549-1	Post - Oven Door R.H. ....	1
8	404549-2	Post - Oven Door L.H. ....	1
9	SC-10-30	Mach. Screw 1/4 - 20 x 1 Truss Hd. ....	2
10	417862-4	Hinge Pin .....	2
11	407320-G2	Frame - Door (Center) 7016A1 Series Only .....	1
12	407315-1	Frame - Door (Top) .....	1
13	SC-36-13	Cap Screw 1/4-20 x 3/4 Hex Hd. ....	4
14	410511-2	Closure Piece .....	2
15	407417-1	Counterweight - Lower Door .....	2
16	410950-1	Spacer .....	2
17	404629-1	Bearing - Hinge Pin .....	2
18	407406-3	Counterweight - Oven Door (L.H. Shown) 7016A1 & 7018A1 Series .....	AR
19	407406-4	Counterweight - Oven Door (R.H. ) 7016A1 & 7018A1 Series .....	AR
20	407407-1	Counterweight - Oven Door (L.H. shown) 7019A1 Series .....	1
21	407407-2	Counterweight - Oven Door (R.H. ) 7019A1 Series .....	1
22	407410-G1	Frame - Door (Lower) .....	1
23	407414-1	Gasket - Lower Door .....	1
24	409159-1	Baffle .....	1
25	407384-G1	Support - Baffle .....	1
26	404828-1	Chain .....	1
27	407023-1	Handle .....	1
28	407378-G1	Retainer - Insulation .....	1
29	407274-2	Insulation Block .....	1
30	407274-1	Insulation Block .....	2
31	407377-G1	Door - Lower (PTD) .....	1
32	407377-G3	Door - Lower (SST) .....	1
33	404629-1	Bearing - Hinge Pin .....	2
34	407416-2	Bracket - Lower Door (R.H.) .....	1
35	407416-1	Bracket - Lower Door (L.H.) .....	1

\* Quantities Are Listed For One Door. Double Quantity For 7016A1.



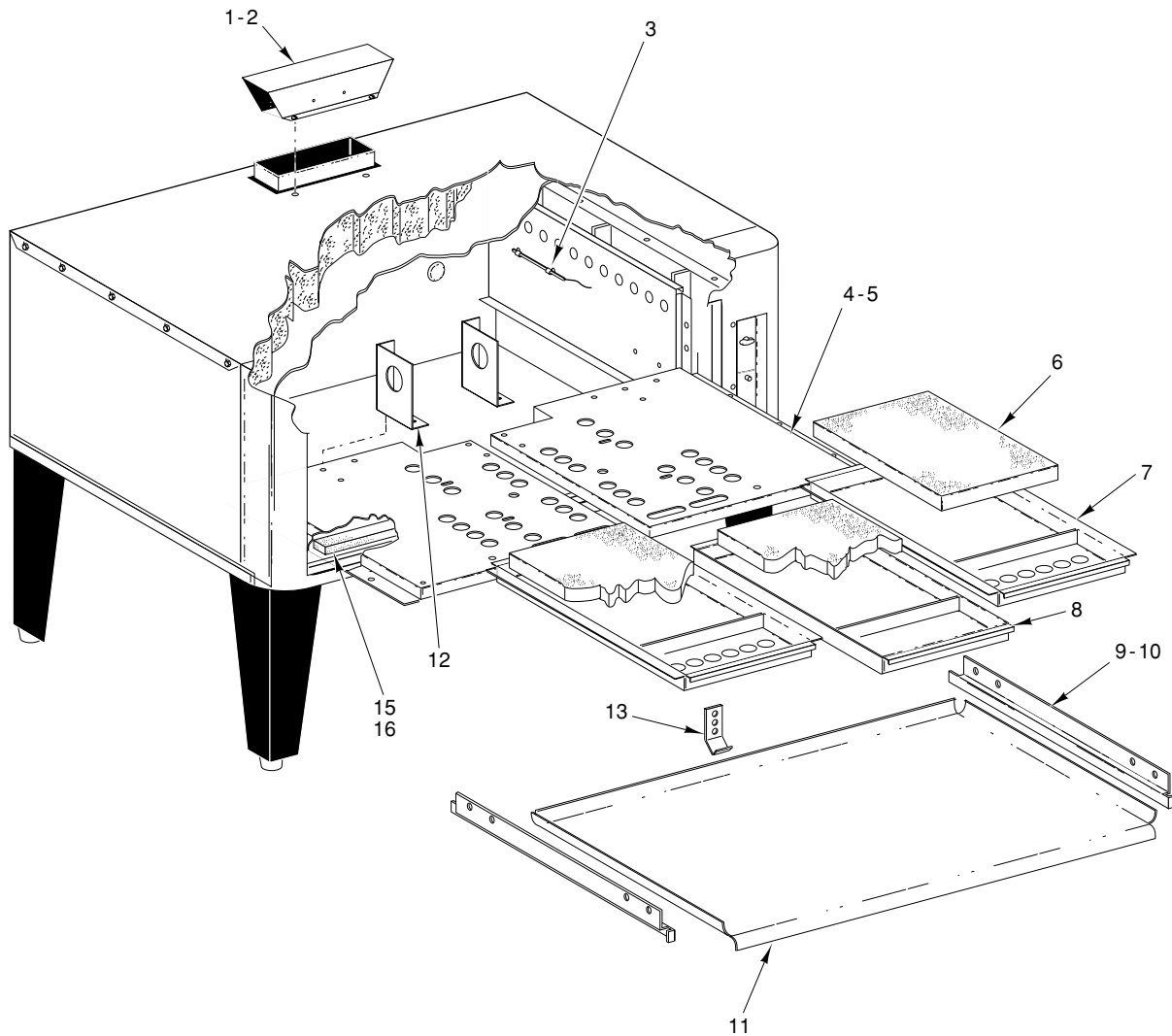
PL-51581

**PANELS & LEGS**

ILLUS. PL-51581	PART NO.	NAME OF PART	AMT.
1	407287-G2	Panel - Front (7018A1 Series, PTD) (Shown) .....	1
2	407287-G4	Panel - Front (7019A1 Series, PTD) .....	1
3	407287-G6	Panel - Front (7016A1 Series, PTD) .....	1

## PANELS &amp; LEGS (CONT.)

ILLUS.	PART NO.	NAME OF PART	AMT.
PL-51581	4	407287-G8 Panel - Front (7018A1 Series, SST)	1
	5	407287-G10 Panel - Front (7019A1 Series, SST)	1
	6	407287-G12 Panel - Front (7016A1 Series, SST)	1
	7	412681-2 Foot - Adjustable (SST)	4
	8	SC-37-87 Cap Screw 1/4-20 x 1 Hex Hd.	16
	9	414007-G1 Leg Assy. 6" (PTD)	AR
	10	414007-G6 Leg Assy. 6" (SST)	AR
	11	414007-G2 Leg Assy. 9" (PTD)	AR
	12	414007-G7 Leg Assy. 9" (SST)	AR
	13	414007-G3 Leg Assy. 17" (PTD)	AR
	14	414007-G8 Leg Assy. 17" (SST)	AR
	15	414007-G4 Leg Assy. - 23" (PTD)	AR
	16	414007-G9 Leg Assy. - 23" (SST)	AR
	17	407337-6 Insulation - Side (7019A1 Series)	1
	18	407337-5 Insulation - Side (7018A1 Series)	1
	19	407337-3 Insulation - side (7016A1 Series)	1
	20	407246-2 Panel - L.H. (7016A1 Series, PTD)	1
	21	407246-4 Panel - L.H. (7018A1 Series, PTD)	1
	22	407246-6 Panel - L.H. (7019A1 Series, PTD)	1
	23	407246-8 Panel - L.H. (7016A1 Series, SST)	1
	24	407246-10 Panel - L.H. (7018A1 Series, SST)	1
	25	407246-12 Panel - L.H. (7019A1 Series, SST)	1
	26	407255-1 Panel - Back (7016A1 Series, PTD)	1
	27	407255-2 Panel - Back (7018A1 Series, PTD)	1
	28	407255-3 Panel - Back (7019A1 Series, PTD)	1
	29	407255-7 Panel - Back (7016A1 Series, SST)	1
	30	407255-8 Panel - Back (7018A1 Series, SST)	1
	31	407255-9 Panel - Back (7019A1 Series, SST)	1
	32	407330-G1 Lining - Top Insulation	1
	33	407338-G1 Panel - Top (PTD)	1
	34	407338-G3 Panel - Top (SST)	1
	35	407337-13 Insulation - Top	1
	36	407408-1 Insulation Pad (Top Lining)	2
	37	407246-1 Panel - R.H. (7016A1 Series, PTD)	1
	38	407246-3 Panel - R.H. (7018A1 Series, PTD)	1
	39	407246-5 Panel - R.H. (7019A1 Series, PTD)	1
	40	407246-7 Panel - R.H. (7016A1 Series, SST)	1
	41	407246-9 Panel - R.H. (7018A1 Series, SST)	1
	42	407246-11 Panel - R.H. (7019A1 Series, SST)	1
	43	410805-G2 Partition Assy. (7018A1 Series)	1
	44	410805-G6 Partition Assy. (7016A1 Series)	1
	45	410805-G4 Partition Assy. (7019A1 Series)	1
	46	407337-6 Insulation Side (7019A1 Series)	1
	47	407337-5 Insulation Side (7018A1 Series)	1
	48	407337-3 Insulation Side (7016A1 Series)	1
	49	407265-G1 Lining Assy. (7018A1 Series)	2
	50	407265-G3 Lining Assy. (7016A1 Series)	2
	51	407265-G2 Lining Assy. (7019A1 Series)	2
	52	412889-G1 Lining - Inside R.H. (7018A1 Series)	1
	53	412889-G2 Lining - Inside L.H. (7018A1 Series)	1
	54	412889-G3 Lining - Inside R. H. (7019A1 Series, W/O Center Shelf)	1
	55	412889-G4 Lining - Inside L.H. (7019A1 Series, W/O Center Shelf)	1
	56	412888-G1 Lining - Inside R.H. (7019A1 Series, W/Center Shelf)	1
	57	412888-G2 Lining - Inside L.H. (7019A1 Series W/Center Shelf)	1
	58	412914-G1 Lining - Inside R.H. (7016A1 Series)	1
	59	412914-G2 Lining - Inside L.H. (7016A1 Series)	1
	60	407337-11 Insulation - Back (7018A1 Series)	1
	61	407337-9 Insulation - Back (7016A1 Series)	1
	62	407337-12 Insulation - Back (7019A1 Series)	1
	63	407276-G1 Lining - Rear (7018A1 Series)	1
	64	407276-G2 Lining - Rear (7019A1 Series)	1
	65	407276-G3 Lining - Rear (7016A1 Series)	1
	66	407264-1 Air Diverter	1
	67	408910-3 Cover - Side Lining	2
	68	408910-1 Cover - Side Lining (7016A1 Series)	2



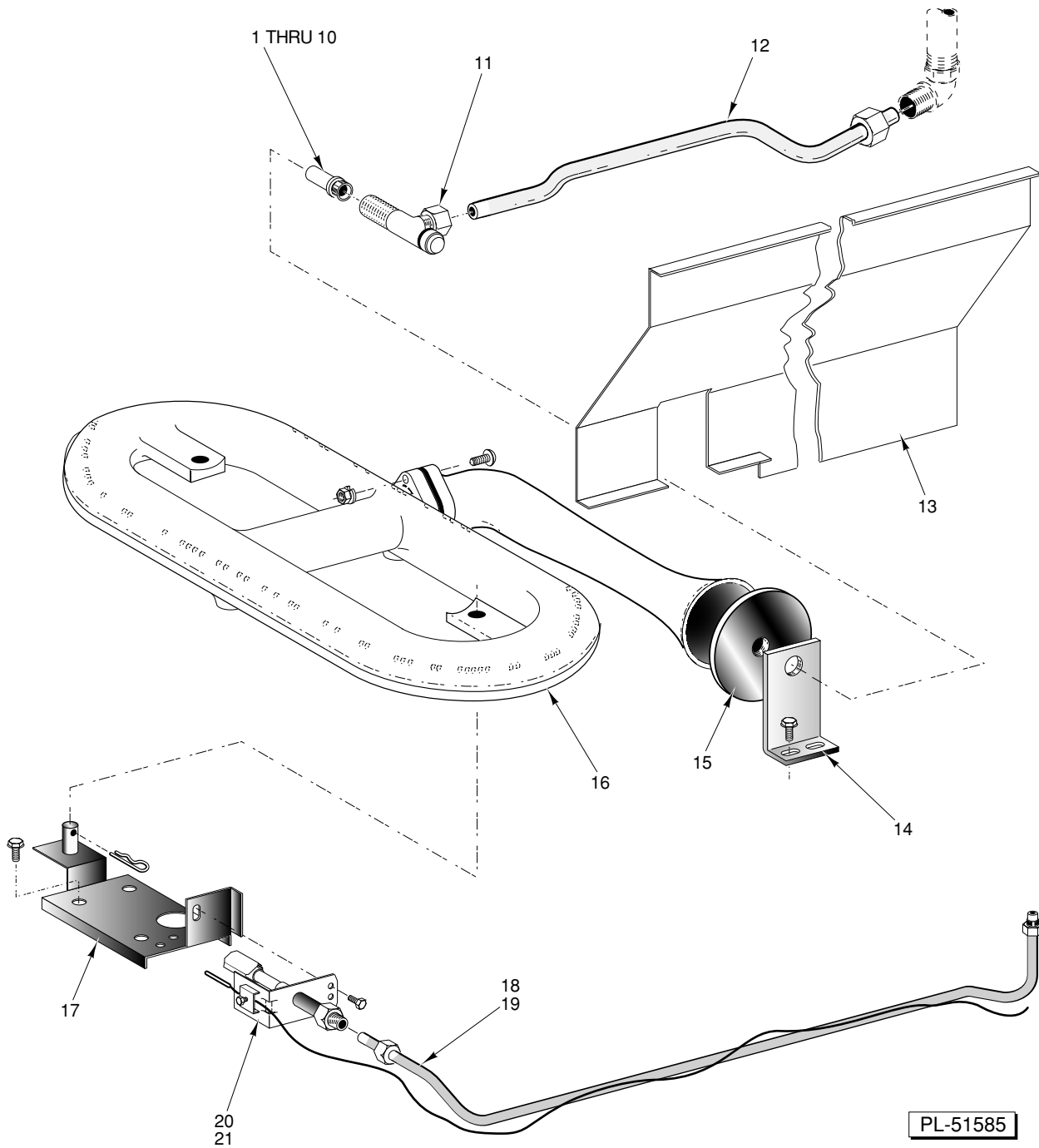
PL-51582

**OVEN CAVITY**



**OVEN CAVITY**

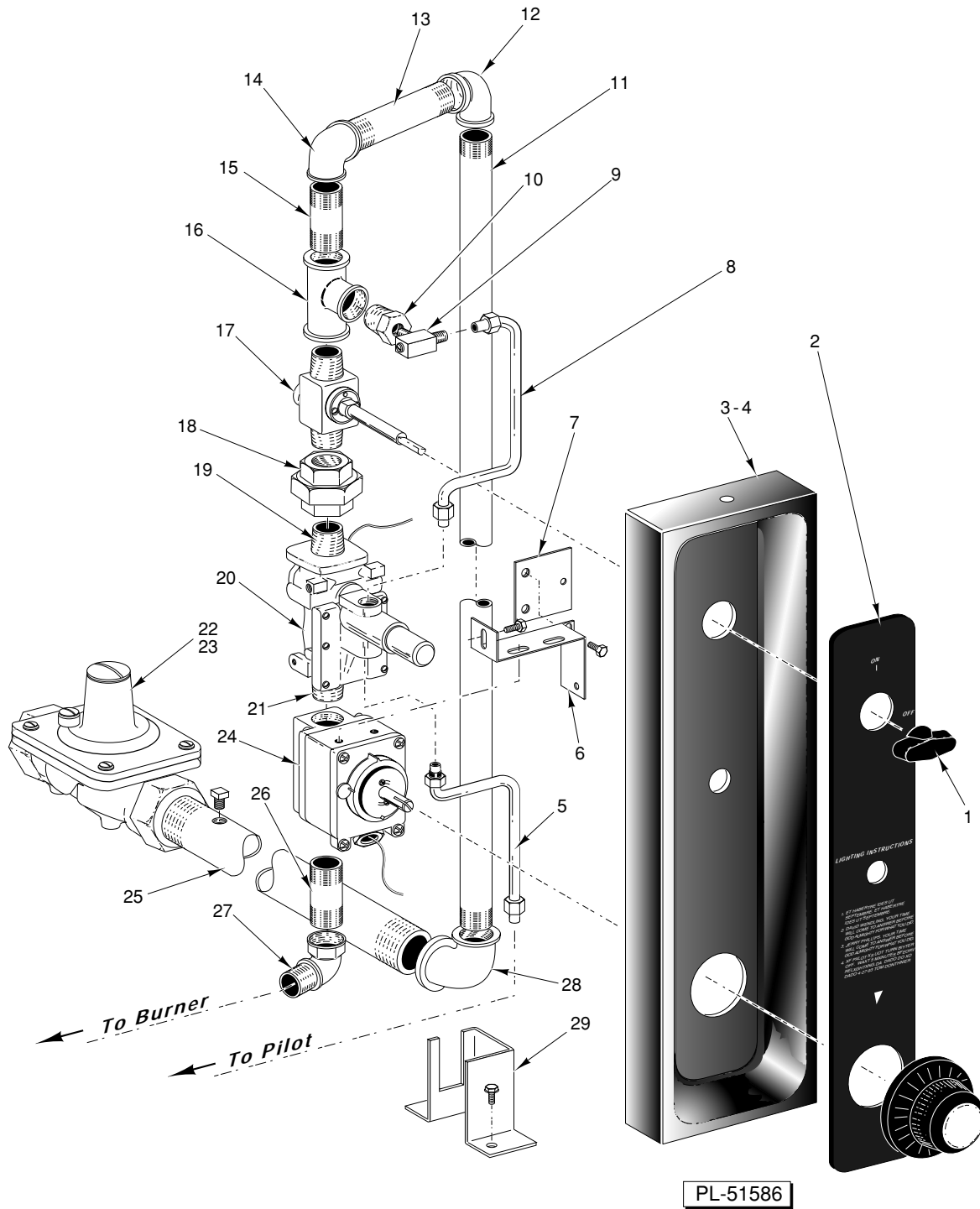
ILLUS. PL-51582	PART NO.	NAME OF PART	AMT.
1	412640-3	Deflector - Flue (PTD) .....	1
2	412640-4	Deflector - Flue (SST) .....	1
3	415677-1	Clip - Capillary .....	2
4	407288-G5	Chamber - Secondary Air (R.H.) .....	1
5	407288-G1	Chamber - Secondary Air (L.H.) .....	1
6	412897-2	Insulation Blanket .....	3
7	413147-G1	Baffle - Side .....	2
8	413146-G1	Baffle - Center .....	1
9	405538-3	Clamp - Deck (R.H.) .....	AR
10	405538-4	Clamp - Deck (L.H.) .....	AR
11	405041-3	Deck .....	AR
12	408915-1	Support - Oven Baffle .....	2
13	405355-1	Clamp - Deck .....	1
14	407374-2	Pad - Insulation (W/O Notch) .....	1
15	407374-1	Pad - Insulation (W/Notch) .....	1



**BURNER & PILOT**

**BURNER & PILOT**

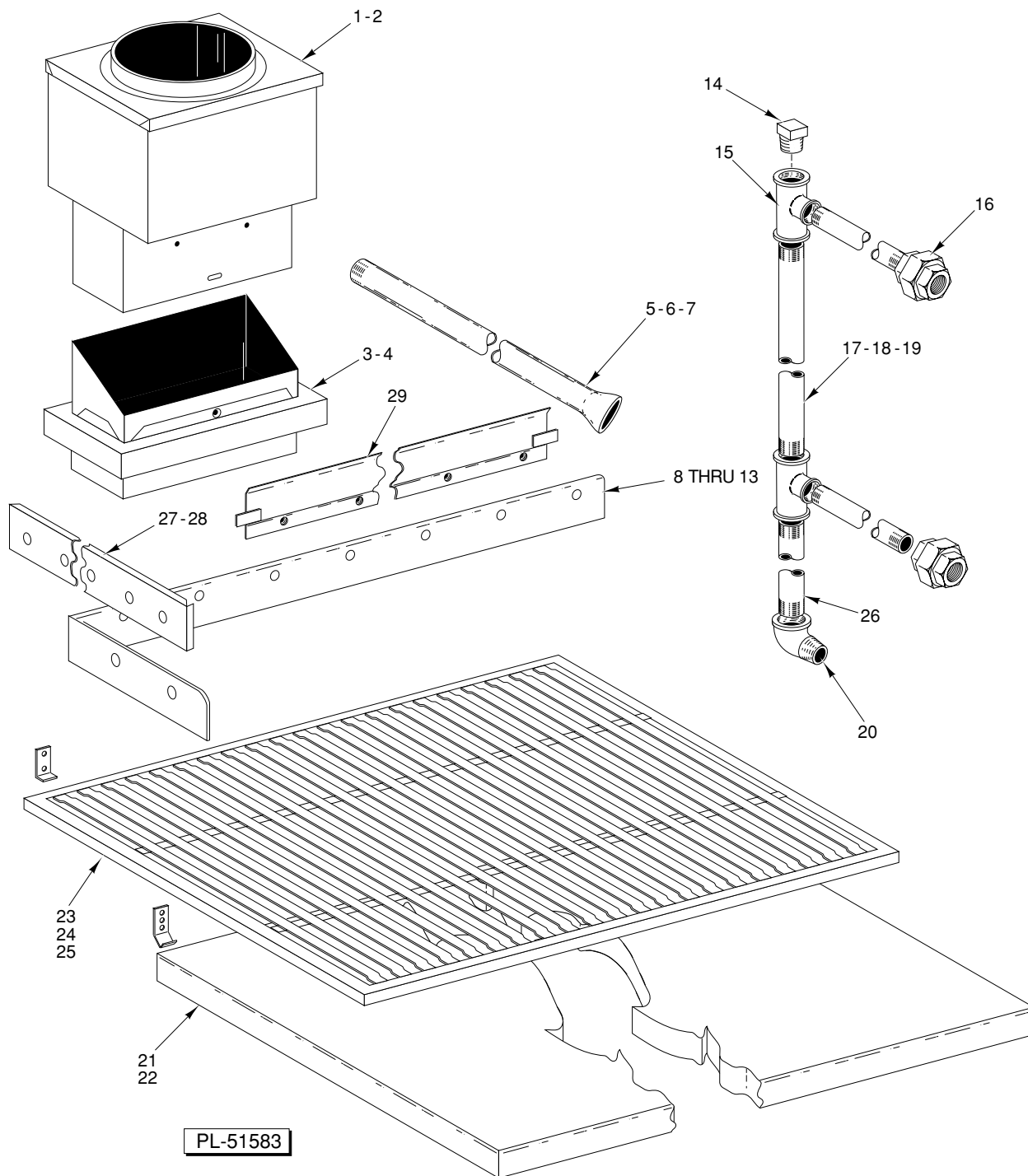
ILLUS. PL-51585	PART NO.	NAME OF PART	AMT.
1	409290-27	Orifice - Spud (Nat. Gas) (Sea Level to 2000 Ft.) .....	1
2	409290-28	Orifice - Spud (Nat. Gas) (2001 to 2499 Ft.) .....	1
3	409290-29	Orifice - Spud (Nat. Gas) (2500 to 5499 Ft.) .....	1
4	409290-30	Orifice - Spud (Nat. Gas) (5500 to 8499 Ft.) .....	1
5	409290-31	Orifice - Spud (Nat. Gas) (8500 to 10,500 Ft.) .....	1
6	409290-47	Orifice - Spud (L.P. Gas) (Sea Level to 2000 Ft.) .....	1
7	409290-48	Orifice - Spud (L.P. Gas) (2001 to 3499 Ft.) .....	1
8	409290-49	Orifice - Spud (L.P. Gas) (3500 to 5499 Ft.) .....	1
9	409290-50	Orifice - Spud (L.P. Gas) (5500 to 8499 Ft.) .....	1
10	409290-51	Orifice - Spud (L.P. Gas) (8599 to 10,500 Ft.) .....	1
11	407634-F	Nozzle - Oven Burner .....	1
12	407609-1	Tube - Burner 1/2 Dia. ....	1
13	409101-1	Shield - Heat .....	1
14	407637-1	Support - Nozzle .....	1
15	405697-2	Mixer - Air .....	1
16	404073-G3	Burner Assy. - Oven .....	1
17	409117-G1	Bracket Assy. - Burner & Pilot .....	1
18	413350-1	Tube - Pilot 1/4 dia. (Compression Fitting to Pilot) .....	1
19	FP-75-1	Union - Compression 1/4 Tube to 1/4 Tube .....	1
20	409125-1	Pilot Assy. - Burner (Nat. Gas) .....	1
21	409125-3	Pilot Assy. - Burner (L.P. Gas) .....	1



**PIPING - GAS**

PIPING - GAS

ILLUS. PL-51586	PART NO.	NAME OF PART	AMT.
1	402957-2	Handle - Gas Cock (RED) .....	1
2	413966-4	Label - Control .....	1
3	407845-1	Panel - Control (PTD) .....	1
4	407845-2	Panel - Control (SST) .....	1
5	412703-1	Tube - Pilot 1/4 Dia. (Pilot Control Valve to Compression Fitting) .....	1
6	407635-1	Support - Thermostat .....	1
7	407851-G1	Bracket - Thermostat Support .....	1
8	407846-1	Tube - Pilot 1/4 Dia. (Tee to Pilot Control Valve) .....	1
9	404193-1	Valve - Adjustable .....	1
10	FP-26-9	Bushing - Pipe 3/8 to 1/4 .....	1
11	413500-C124	Nipple 3/8 x 15 1/2 TBE .....	1
12	FP-13-11	Elbow 3/8 x 90 Deg. ....	1
13	413500-C19	Nipple 3/8 x 2 3/8 TBE .....	1
14	FP-13-11	Elbow 3/8 x 90 Deg. ....	1
15	413500-C12	Nipple 3/8 x 1 1/2 TBE .....	1
16	FP-19-10	Tee 3/8 x 3/8 x 3/8 .....	1
17	407789-1	Valve - Service .....	1
18	FP-22-6	Union - Pipe 3/8 straight (Ground Seat) .....	1
19	413500-C6	Nipple 3/8 x 3/4 Lg. TBE .....	1
20	407798-4	Valve - Pilot Control .....	1
21	413500-C9	Nipple 3/8 x 1 1/8 TBE .....	1
22	408279-20	Regulator - Pressure (Nat. Gas) .....	1
23	408279-21	Regulator - Pressure (L.P. Gas) .....	1
24	407522-1	Thermostat (Incls. Knob) .....	1
25	407272-1	Pipe - Inlet 3/4 x 34 1/16 w/1/8-27 NPT Hole .....	1
26	413500-C19	Nipple 3/8 x 2 3/8 TBE .....	1
27	FP-12-25	Fitting - Tube 1/2 Tube x 3/8 FPT Brass Compression Elbow .....	1
28	FP-78-88	Elbow 90 Deg. Reducing 3/4 to 3/8 .....	1
29	407713-1	Bracket - Inlet Pipe Stop .....	1



**MISCELLANEOUS**

MISCELLANEOUS

ILLUS. PL-51583	PART NO.	NAME OF PART	AMT.
1	413602-G3	Diverter - Draft .....	1
2	413602-G4	Diverter - Draft (SST) .....	1
3	407399-G1	Collar - Draft Deflector .....	1
4	407399-G3	Collar - Draft Deflector (SST) .....	1
5	403476-2	Injector - Steam .....	1
6	404524	Washer .....	1
7	404087-7	Nut .....	1
8	407419-1	Retainer - Stacked Ovens (R.H.) (PTD.) .....	AR
9	407419-2	Retainer - Stacked Ovens (L.H.) (PTD.) .....	AR
10	407419-5	Retainer - Stacked Ovens (R.H.) (SST) .....	AR
11	407419-6	Retainer - Stacked Ovens (L.H.) (SST) .....	AR
12	SC-37-87	Cap Screw 1/4 - 20 x 1 Hex Hd. ....	16
13	WL-3-44	Lockwasher 5/16 Medium .....	16
14	FP-28-21	Plug - Pipe 1 Sq. Hd. (Stacked Oven) .....	1
15	FP-19-42	Tee-Pipe 1 x 1 x 3/4 (Stacked Oven) .....	AR
16	FP-85-60	Union - Pipe 3/4 (Stacked Oven) .....	AR
17	FP-86-58	Nipple 1 x 19 3/8 (Stacked Oven) .....	AR
18	FP-86-18	Nipple 1 x 24 3/8 (Stacked Oven) .....	AR
19	FP-85-91	Nipple 1 x 30 (Stacked Oven) .....	AR
20	FP-85-69	Elbow - Street 90 Deg. Red 1 x 3/4 .....	1
21	417028-1	Deck Plate - Cordierite (7018A1 & 7019A1) .....	1
22	405355-1	Clamp - Deck .....	2
23	407721-G1	Rack - Slotted (7019A1 Series Only) .....	1
24	405538-3	Clamp - Deck R.H. (7019A1 Series Only) .....	1
25	405538-4	Clamp - Deck L.H. (7019A1 Series Only) .....	1
26	FP-36-17	Nipple 1 x 1 1/2 TBE (Stacked Oven) .....	1
27	407788-1	Side Veneer (SST) (R.H.) .....	1
28	407788-2	Side Veneer (SST) (L.H.) .....	1
29	407787-G1	Rear Veneer Assy. ....	1

