

# **VULCAN**

## CATALOG OF REPLACEMENT PARTS

### *900A SERIES GAS GRIDDLES INCLUDING ELECTRIC IGNITION OPTION AND SOLID STATE CONTROL OPTION*

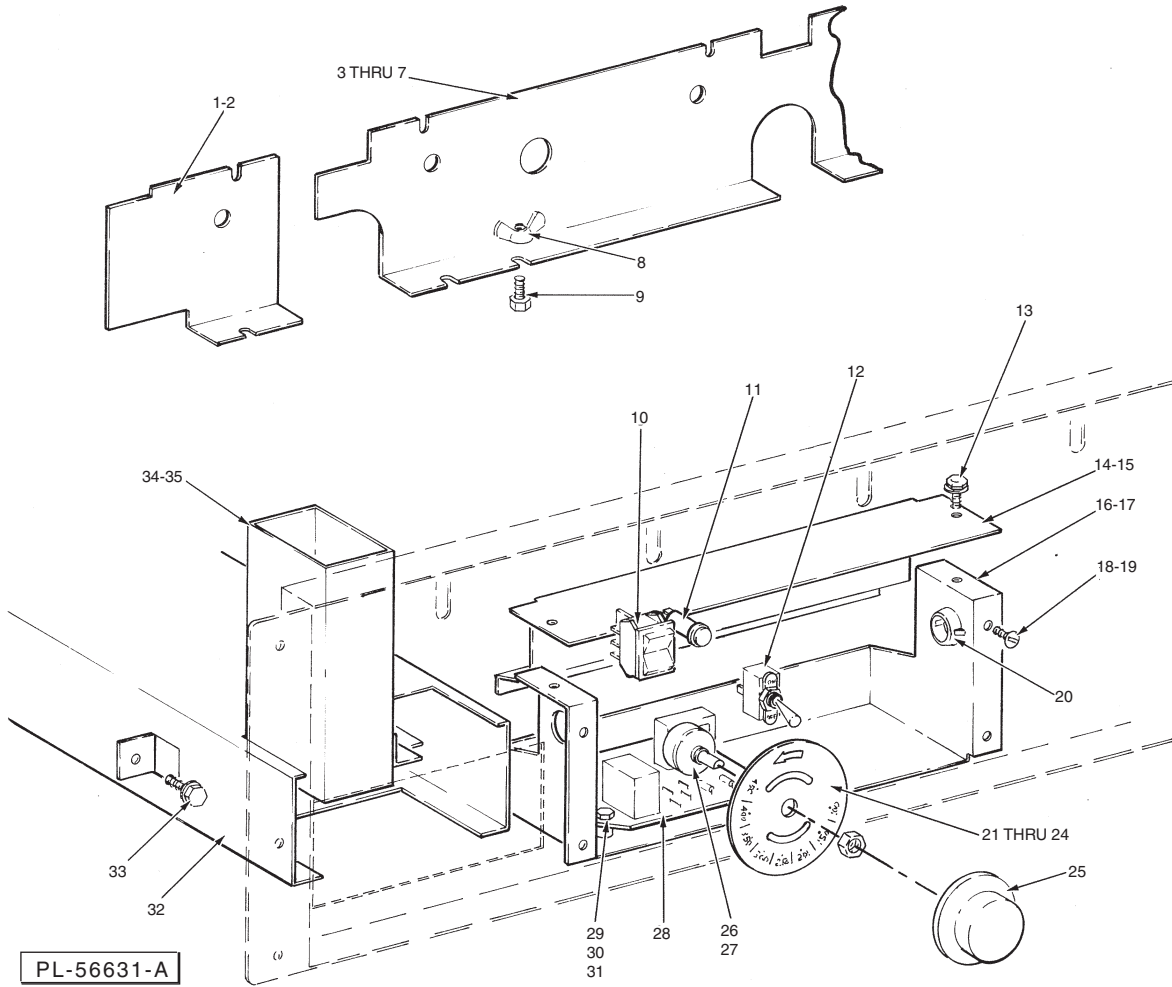
*Models*

924A	ML-52592
936A	ML-52596
948A	ML-52600
960A	ML-52604
972A	ML-52608



**Model 948A**

**For additional information on Vulcan-Hart or to locate an authorized parts and service provider in your area, visit our website at [www.vulcanhart.com](http://www.vulcanhart.com)**



**CONTROLS**

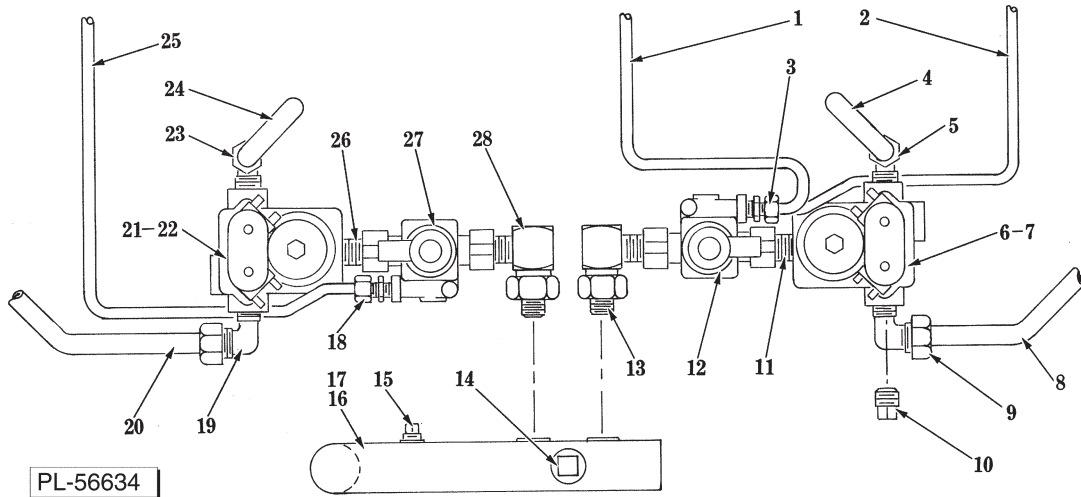
**CONTROLS**

ILLUS.	PART NO.	NAME OF PART	AMT.
	PL-56631-A		
1	00-357921-00001	End – Heat Shield (LH) .....	1
2	00-357921-00002	End – Heat Shield (RH) .....	1
3	00-819131	Shield – Center Heat (924A) .....	1
4	00-810276	Shield – Center Heat (936A) .....	1
5	00-810267	Shield – Center Heat (948A) .....	1
6	00-810262	Shield – Center Heat (960A) .....	1
7	00-357922-00001	Shield – Center Heat (972A) .....	1
8	NS-029-01	Wing Nut 1/4-20 .....	4
9	SC-036-14	Cap Screw 1/4-20 x 1/2 Hex Hd. ....	4
10	00-824226-00002	Switch (Red) (125 V.) .....	1
**11	00-817193-00003	Light – Control Panel (Amber) .....	3
**12	00-906444	Switch – On-Off Toggle .....	3
**13	SD-036-60	Self-Tapping Screw 10-16 x 1/2 Hex Washer Hd., Type AB .....	2
**14	00-819167	Cover – Control Compartment (10 <sup>3</sup> / <sub>4</sub> In. Lg.) .....	1
**15	00-819209	Cover – Control Compartment (5 <sup>3</sup> / <sub>4</sub> In. Lg.) (936A) .....	1
**16	00-819166	Compartment – Control (10 <sup>3</sup> / <sub>4</sub> In. Lg.) .....	1
**17	00-819207	Compartment – Control (5 <sup>3</sup> / <sub>4</sub> In. Lg.) (936A) .....	1
18	SC-066-06	Mach. Screw 10-24 x 1/2 Phil. Truss Hd. ....	8
19	NS-044-09	Nut & Lockwasher Assy. 10-24 KEPS .....	8
20	FE-016-02	Bushing – Heyco Snap .....	2
*21	00-810069	Dial (Used with Thermostat) .....	3
*22	SC-066-02	Mach. Screw 6-32 x 3/8 Phil. Truss Hd. ....	6
**23	00-810142	Dial (Used With Potentiometer) .....	3
**24	SC-053-05	Mach. Screw 10-24 x 3/8 Truss Hd. ....	6
25	00-822036	Control Knob .....	3
*26	00-810071	Thermostat .....	3
**27	00-819001	Potentiometer & Lead Wires Assy. ....	3
**28	00-358512-00001	Circuit Board – Heat Controller .....	3
29	SC-018-24	Mach. Screw 6-32 x 3/4 Phil. Pan Hd. ....	12
30	WL-007-01	Lockwasher #6 External Shakeproof .....	12
31	NS-047-63	Mach. Nut 6-32 Square .....	12
32	00-810055	Slide – Grease Pan .....	1
33	SD-036-60	Self-Tapping Screw 10-16 x 1/2 Hex Washer Hd., Type AB .....	1
34	00-819815	Grease Chute Assy. ....	1
35	SD-035-21	Self-Tapping Screw 10-16 x 1/2 Truss Hd., Type B .....	1
	00-810134	Cord & Plug 78 In. (18 AWG - 3 Cond.) .....	1
	FE-014-47	Strain Relief .....	1
	00-359538-000G1	Controller (Solid State) (Watlow) .....	1
	00-428701-00005	Knob – Controller (Solid State) (Watlow) .....	1

\*Standing Pilot.

\*\*Electronic Ignition.

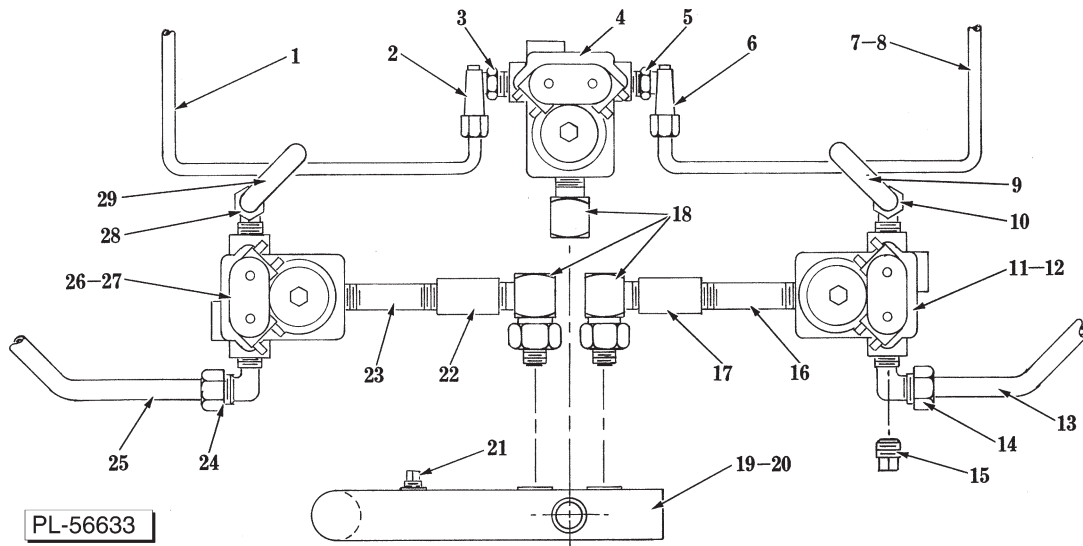
Amounts are for 936A, amounts for other models will vary.



**PIPING & VALVES  
(STANDARD IGNITION)**

ILLUS.	PART NO.	NAME OF PART	AMT.
PL-56634			
1	00-426505-00012	Tubing – Pilot Flex 1/4 O.D. x 12 In. ....	1
2	00-426505-00012	Tubing – Pilot Flex 1/4 O.D. x 12 In. ....	1
3	FP-078-49	Connector – Straight (1/4 Tube x 1/8 M.P.T.) ....	1
4	00-426507-00008	Tubing – Burner Flex 3/8 O.D. x 8 In. ....	1
5	FP-012-46	Elbow 90 Deg. (3/8 Tube x 3/8 M.P.T.) ....	1
6	00-819297	Valve – Natural Gas ....	1
7	00-819298	Valve – LP Gas ....	1
8	00-426507-00018	Tubing – Burner Flex 3/8 O.D. x 18 In. ....	1
9	FP-012-46	Elbow 90 Deg. (3/8 Tube x 3/8 M.P.T.) ....	1
10	FP-028-08	Plug 3/8 Sq. Hd. Pipe ....	AR
11	FP-035-46	Pipe 3/8 x 1 Lg. TBE ....	1
12	00-920442	Valve – Safety Pilot (Robert Shaw) ....	1
	00-497122-00001	Valve – Safety Pilot (BASO) ....	1
13	00-810216	Elbow 90 Deg. Union ....	1
14	FP-028-08	Plug 3/8 Sq. Hd. Pipe ....	1
15	FP-025-45	Plug 1/8 Sq. Hd. Pipe ....	1
16	00-819309	Manifold Assy. (924A, 936A, 948A) ....	1
17	00-819309-00001	Manifold Assy. (960A, 972A) ....	1
18	FP-078-49	Connector – Straight (1/4 Tube x 1/8 M.P.T.) ....	1
19	FP-012-46	Elbow 90 Deg. (3/8 Tube x 3/8 M.P.T.) ....	1
20	00-426507-00018	Tubing – Burner Flex 3/8 O.D. x 18 In. ....	1
21	00-819297	Valve – Natural Gas ....	1
22	00-819298	Valve – LP Gas ....	1
23	FP-012-46	Elbow 90 Deg. (3/8 Tube x 3/8 M.P.T.) ....	1
24	00-426507-00008	Tubing – Burner Flex 3/8 O.D. x 8 In. ....	1
25	00-426505-00012	Tubing – Pilot Flex 1/4 O.D. x 12 In. ....	1
26	FP-035-46	Pipe – 3/8 x 1 Lg. TBE ....	1
27	00-920442	Valve – Safety Pilot (Robert Shaw) ....	1
	00-497122-00001	Valve – Safety Pilot (BASO) ....	1
28	00-810216	Elbow 90 Deg. Union ....	1
	00-770085-00002	Single Solenoid Valve ....	1

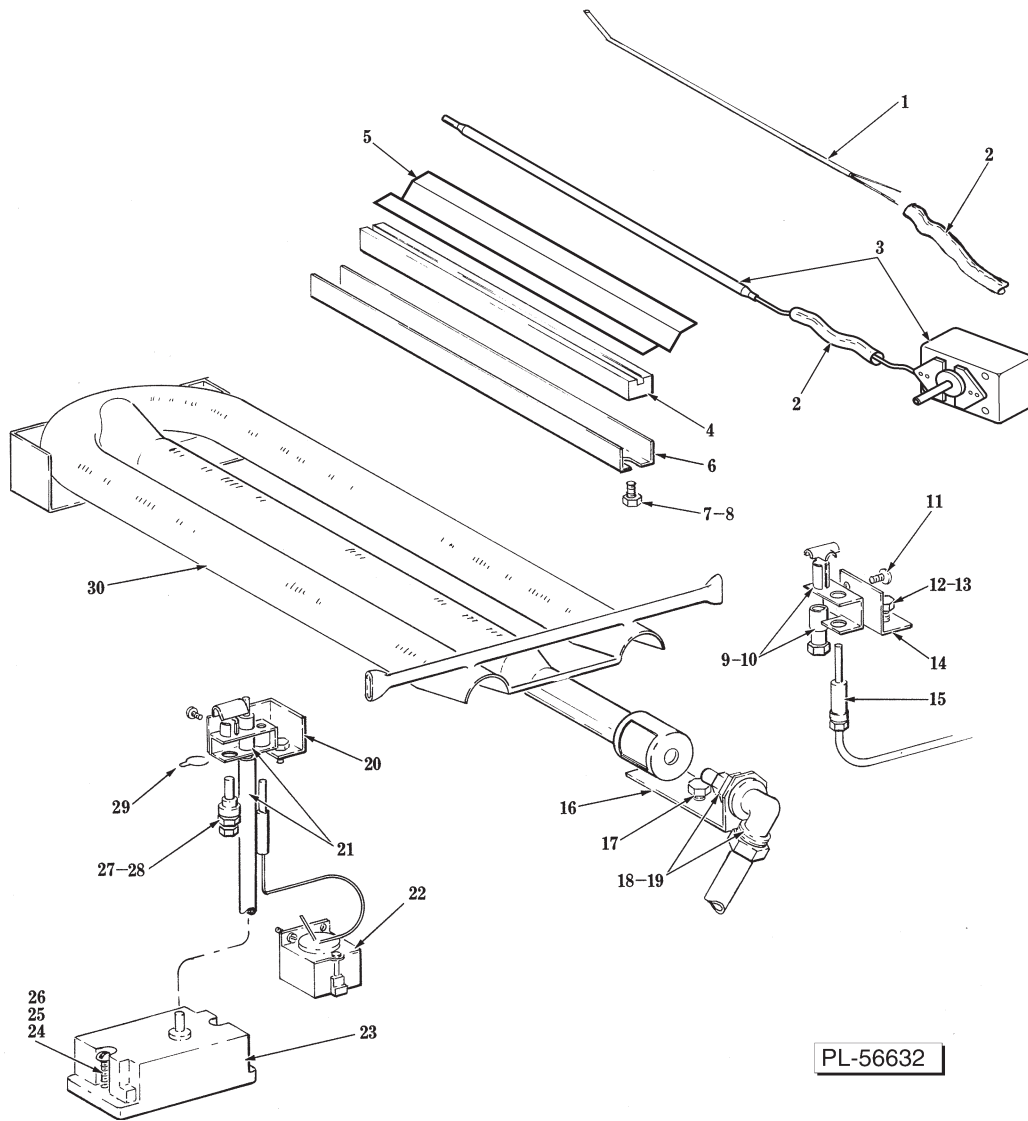
Amounts are for 936A, amounts for other models will vary.



**PIPING & VALVES  
(ELECTRONIC IGNITION)**

ILLUS.	PART NO.	NAME OF PART	AMT.
PL-56633			
1	00-426505-00018	Tubing – Pilot Flex 1/4 O.D. x 18 In. ....	1
2	00-404193-00001	Valve – Pilot .....	1
3	FP-026-05	Bushing 3/8 to 1/8 Face Reducing .....	1
4	00-819298	Valve (Pilot, LP Gas) .....	1
	00-819297	Valve (Pilot, Natural Gas) .....	1
5	FP-026-05	Bushing – 3/8 to 1/8 Face Reducing .....	1
6	00-404193-00001	Valve – Pilot .....	1
7	00-426505-00018	Tubing – Pilot Flex 1/4 O.D. x 18 In. ....	1
8	00-851614-00002	Tubing – Pilot (9 Lg.) (RH) .....	1
9	00-722425	Tubing – Burner Flex 3/8 O.D. x 8 In. ....	1
10	FP-012-46	Elbow 90 Deg. (3/8 Tube x 3/8 M.P.T.) .....	1
11	00-819297	Valve – Natural Gas .....	1
12	00-819298	Valve – LP Gas .....	1
13	00-426507-00018	Tubing – Burner Flex 3/8 O.D. x 18 In. ....	1
14	FP-012-46	Elbow 90 Deg. (3/8 Tube x 3/8 M.P.T.) .....	1
15	FP-028-08	Plug 3/8 Sq. Hd. Pipe .....	AR
16	FP-035-60	Pipe 3/8 x 3 1/4 Lg. TBE .....	1
17	FP-023-13	Coupling 3/8 Pipe .....	1
18	00-810216	Elbow 90 Deg. Union .....	3
19	00-819309	Manifold Assy. (924A, 936A, 948A) .....	1
20	00-819309-00001	Manifold Assy. (960A, 972A) .....	1
21	FP-028-45	Plug 1/8 Sq. Hd. Pipe .....	1
22	FP-023-13	Coupling 3/8 Pipe .....	1
23	FP-035-60	Pipe 3/8 x 3 1/4 Lg. TBE .....	1
24	FP-012-46	Elbow 90 Deg. (3/8 Tube x 3/8 M.P.T.) .....	1
25	00-426507-00018	Tubing – Burner Flex 3/8 O.D. x 18 In. ....	1
26	00-819297	Valve – Natural Gas .....	1
27	00-819298	Valve – LP Gas .....	1
28	FP-012-46	Elbow 90 Deg. (3/8 Tube x 3/8 M.P.T.) .....	1
29	00-426507-00008	Tubing – Burner Flex 3/8 O.D. x 8 In. ....	1
	00-770085-00002	Single Solenoid Valve .....	1

Amounts are for 936A, amounts for other models will vary.



**BURNER & PILOTS**

**BURNER & PILOTS**

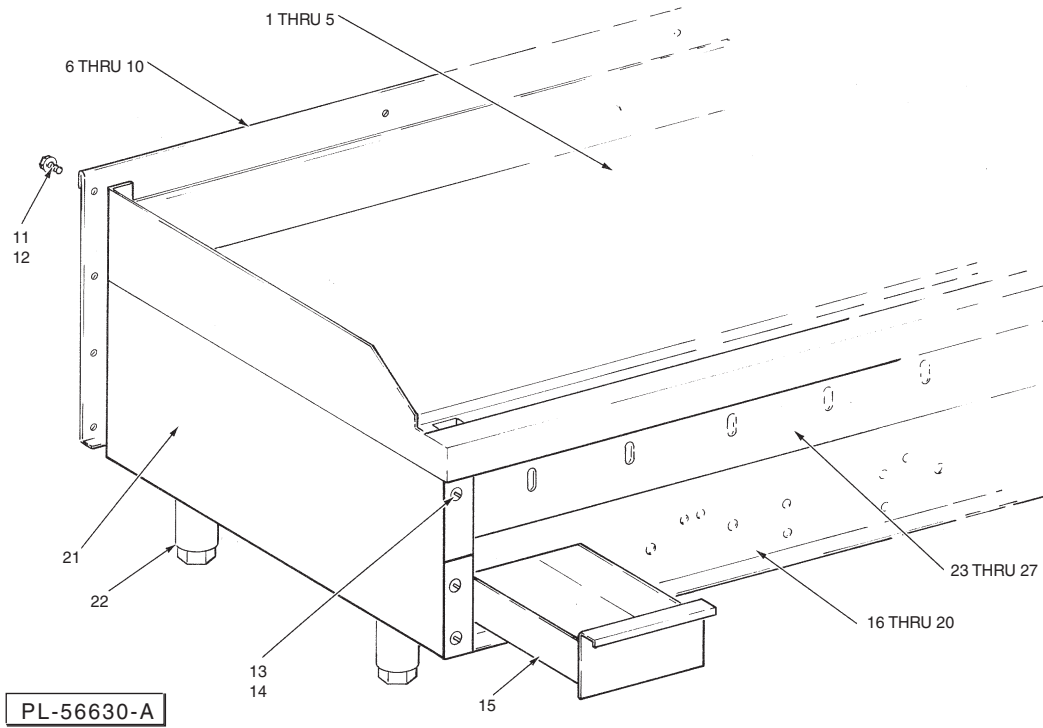
ILLUS. PL-56632	PART NO.	NAME OF PART	AMT.
**1	00-819172	Probe – Thermistor (With 358512-1 After 1993) .....	3
	00-810125	Probe – Thermistor (With 358512-1 Before 1993) .....	3
2	00-541367	Sleeving (Capillary Tube/Thermistor Probe) .....	3
3	00-810071	Thermostat .....	3
4	00-788701-0000A	Insulation (Thermostat Bulb/Thermistor Probe) .....	3
*5	00-788701-0000A	V-Bracket (Per Section) .....	1
6	00-810039-00002	Clamp (Thermostat Bulb/Thermistor Probe) .....	3
7	SC-036-14	Cap Screw 1/4-20 x 1/2 Hex Hd. ....	3
*8	00-911037-00004	Nut – Tinnerman (Floating Caged) .....	3
*9	00-920041-00011	Pilot Assy. (Natural Gas) .....	2
*10	00-920041-00012	Pilot Assy. (LP Gas) .....	2
11	SC-110-87	Mach. Screw 10-32 x 1/4 Phil. Pan Hd. ....	4
*12	SC-119-23	Mach. Screw 10-24 x 1/2 Hex Washer Hd. ....	4
*13	NS-044-09	Nut & Lockwasher Assy. 10-24 KEPS .....	4
*14	00-810074-00011	Bracket – Pilot Burner .....	2
*15	00-412788-00001	Thermocouple (18 In. Lg.) (Used With Robert Shaw Safety Valve) .....	2
	00-359532-00001	Thermocouple – T-Type (Used With Watlow Solid State Controller) .....	2
	00-412777-00004	Thermocouple (Used With BASO Safety Valve) .....	2
16	00-819173	Holder – Burner Orifice .....	3
17	SD-036-60	Self-Tapping Screw 10-16 x 1/2 Hex Washer Hd., Type AB .....	6
18	00-802389-00022	Orifice #41 – Burner (NAT) (Sea Level to 2000 Ft.) .....	3
19	00-802389-00012	Orifice #52 – Burner (PRO) (Sea Level to 2000 Ft.) .....	3
**20	00-819144	Bracket – Burner Pilot .....	2
**21	00-819143	Pilot Burner & Hi-Voltage Lead Wire Assy. ....	2
**22	00-819147	Switch – Flame .....	2
**23	00-819145	Ignitor – Spark .....	2
**24	SC-093-02	Mach. Screw 6-32 x 1/2 Pan Hd. ....	4
**25	WL-007-01	Lockwasher #6 External Shakeproof .....	4
**26	NS-047-63	Mach. Nut 6-32 Square .....	4
**27	00-819146	Orifice – Pilot (Natural Gas) .....	2
**28	00-819146-00001	Orifice – Pilot (LP Gas) .....	2
**29	00-819146-00002	Clip – Pilot Orifice .....	2
30	00-819142	Burner & Air Shutter Assy. ....	3
	00-411420-00001	Valve – Shut-Off .....	1

\*Standing Pilot.

\*\*Electronic Ignition.

Amounts are for 936A, amounts for other models will vary.

900A GAS GRIDDLE REPLACEMENT PARTS





**GRIDDLES & PANELS**

ILLUS.	PART NO.	NAME OF PART	AMT.
1	00-819125-00001	Griddle Plate Front Grease (924A) (STD)	1
	00-359592-00002	Griddle Plate Front Grease (924A) (SSC)	1
	00-819331-00001	Griddle Plate Rear Grease (924A) (STD)	1
	00-359593-00002	Griddle Plate Rear Grease (924A) (SSC)	1
2	00-819378-00001	Griddle Plate Front Grease (936A) (STD)	1
	00-359595-00002	Griddle Plate Front Grease (936A) (SSC)	1
	00-819273-00001	Griddle Plate Rear Grease (936A) (STD)	1
	00-359696-00002	Griddle Plate Rear Grease (936A) (SSC)	1
3	00-819379-00001	Griddle Plate Front Grease (948A) (STD)	1
	00-359598-00002	Griddle Plate Front Grease (948A) (SSC)	1
	00-819274-00001	Griddle Plate Rear Grease (948A) (STD)	1
	00-359599-00002	Griddle Plate Rear Grease (948A) (SSC)	1
4	00-819380-00001	Griddle Plate Front Grease (960A) (STD)	1
	00-359601-00002	Griddle Plate Front Grease (960A) (SSC)	1
	00-819275-00001	Griddle Plate Rear Grease (960A) (STD)	1
	00-359602-00002	Griddle Plate Rear Grease (960A) (SSC)	1
5	00-819381-00001	Griddle Plate Front Grease (972A) (STD)	1
	00-359604-00002	Griddle Plate Front Grease (972A) (SSC)	1
	00-819276-00001	Griddle Plate Rear Grease (972A) (STD)	1
	00-359605-00002	Griddle Plate Rear Grease (972A) (SSC)	1
6	00-819135	Panel – Flue (924A)	1
7	00-810036-00010	Panel – Flue (936A)	1
8	00-810036-00012	Panel – Flue (948A)	1
9	00-810036-00014	Panel – Flue (960A)	1
10	00-810036-00016	Panel – Flue (972A)	1
11	SD-036-60	Self-Tapping Screw 10-16 x 1/2 Hex Washer Hd., Type AB	AR
12	00-911037-00010	Nut – Tinnerman	AR
13	SD-036-61	Self-Tapping Screw 10-16 x Truss Hd., Type B	6
14	00-911037-00001	U-Nut	6
15	00-810051-00002	Grease Pan Assy. (Front Grease)	AR
	00-819466-00001	Grease Pan Assy. (Rear Grease)	AR
	00-810126-00001	Grease Pan Assy. (Side Grease) (Before June 1998)	AR
	00-819453	Grease Pan Assy. (Side Grease, RH) (After June 1998)	AR
	00-819453-00001	Grease Pan Assy. (Side Grease, LH) (After June 1998)	AR
	00-819300-00001	Lower Front Panel (924A) (STD)	1
16	00-359612-00001	Lower Front Panel (924A) (SSC)	1
	00-819299-00001	Lower Front Panel (936A) (STD)	1
	00-359614-00001	Lower Front Panel (936A) (SSC)	1
	00-819291-00001	Lower Front Panel (948A) (STD)	1
18	00-359616-00001	Lower Front Panel (948A) (SSC)	1
	00-819290-00001	Lower Front Panel (960A) (STD)	1
19	00-359618-00001	Lower Front Panel (960A) (SSC)	1
	00-819282-00001	Lower Front Panel (972A) (STD)	1
20	00-359620-00001	Lower Front Panel (972A) (SSC)	1
	00-819506-00001	Cover – Side Panel	2
21	00-881402	Leg – Adjustable (Counter Top)	4
22	00-819360	Upper Front Panel (924A)	1
23	00-819200	Upper Front Panel (936A)	1
24	00-819202	Upper Front Panel (948A)	1
25	00-819361	Upper Front Panel (960A)	1
26	00-819174	Upper Front Panel (972A)	1
	00-881402	Adjustable Leg Assy. (Stand)	4
27	00-819077	Casters – W/O Brake (Stand)	2
	00-819078	Caster – W/Brake (Stand)	2
	00-819036	Caster – Leg Assy. (Stand)	4
	00-810102-00001	Leg Extension (Stand)	4

NOTE: STD=Standard Controls, SSC=Solid State Controls

**RECOMMENDED SPARE PARTS**

PART NO.	NAME OF PART	AMT.
<b>STANDARD UNITS</b>		
00-920041-00011	Pilot (Nat. Gas) .....	2
00-920041-00012	Pilot (LP Gas) .....	2
00-412788-00001	Thermocouple .....	2
00-810071	Thermostat .....	2
00-819297	Valve – Natural Gas .....	2
00-819298	Valve – LP Gas .....	2
00-920442	Safety .....	2
00-824226-00002	Power Switch .....	2
00-822036	Thermostat Knob .....	2
00-426505-00012	Gas Flex Tube 1/4 O.D. x 12 In .....	1
00-426507-00008	Gas Flex Tube 3/8 O.D. x 8 In .....	1
00-426507-00018	Gas Flex Tube 3/8 O.D. x 18 In .....	1
00-417424-000G5	Thermostat (IHOP Only) (Millivolt) .....	1
00-417576-00002	Thermostat Knob (IHOP Only) (Millivolt) .....	2
<b>SOLID STATE OPTIONS</b>		
<b>BUILT BEFORE 8-96</b>		
00-906444	Toggle ON/OFF Switch .....	2
00-822036	Temperature Knob .....	2
00-358512-00001	Controller Quantem .....	2
00-819001	Potentiometer .....	2
00-788701-0000A	Thermostat Bulb Insulation .....	2
00-819396	Probe .....	2
<b>SOLID STATE OPTIONS</b>		
00-821770	Griddle Rocker Switch .....	2
00-359538-000G1	Temperature Controller Kit .....	1
00-359532-00001	Thermocouple Assy. (Screw-in Type) .....	2
00-788701-0000A	Thermostat Bulb Insulation .....	2
00-824226-00002	Power Switch .....	2
<b>ELECTRONIC IGNITION</b>		
00-819145	Ignition Module .....	2
00-819147	Flame Sensor .....	2
00-819143	Pilot Burner Sparker .....	2
00-819036	Leg Extension For Casters .....	2
00-819077	Caster W/Brake .....	2
00-819078	Caster W/O Brake .....	2

**NOTES**

**NOTES**