

MODEL VB96 BANQUET SERVICE CABINET



Model VB96



SPECIFICATIONS:

Banquet service cabinet, Vulcan-Hart Model No. VB96. Heavy duty 20 gauge polished stainless steel cabinet with welded tubular steel inner frame for increased durability. Extended bumper assembly. Deluxe end mounted push handles. 18 gauge stainless steel Dutch doors with heavy duty hinges, door latch mechanism, and long lasting silicone gaskets. Fully insulated, 2" in top and 1" in sides. Heavy duty reinforced wire shelves measure 22¹/₈" x 44³/₈". Shelves are easily removable for cleaning. Holds up to 96 plates, covered or uncovered, maximum size 10¹/₄". Recessed control panel includes power "on" and heater "on" indicator lights, dial thermostat adjustable from 60° to 190°F, and temperature read-out dial. Two 1,000 watt metal sheathed heating element, 16.6 amps total draw. Requires 120 volt, 60 Hz, single phase power supply. Furnished with 6' power cord and NEMA 5-20 plug.

Exterior dimensions: 51¹/₂"w x 29"d x 62"h on 5" casters (4 swivel with brakes, 2 rigid)

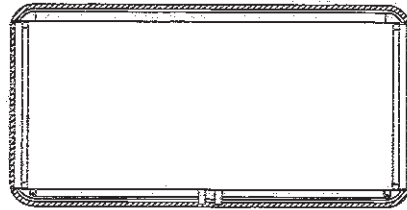
UL Listed. UL Listed to Canadian safety standards.

STANDARD FEATURES

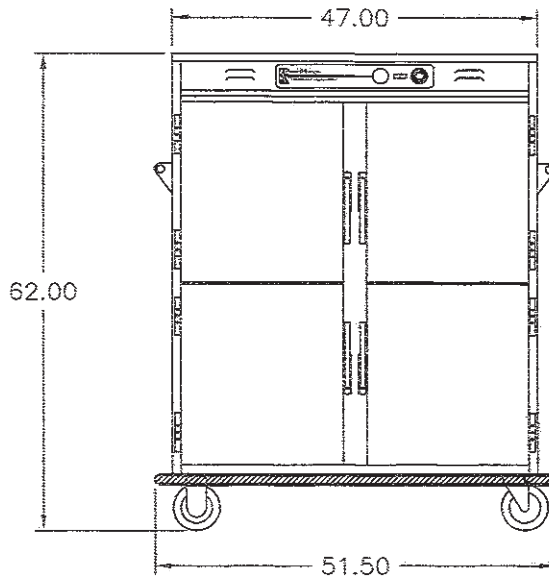
- Holds up to 96 plates, covered or uncovered, maximum size 10¹/₄".
- Heavy duty 20 gauge polished stainless steel cabinet with welded tubular steel inner frame for increased durability.
- Set of 5" casters (4 swivel with brakes, 2 rigid)
- Deluxe end mounted push handles.
- Extended bumper assembly.
- Dutch doors are 18 gauge with heavy duty hinges, door latch mechanisms, and long lasting silicone gaskets.
- Fully insulated: 2" in top and 1" in sides.
- Heavy duty reinforced wire shelves measure 22¹/₈" x 44³/₈". Shelves easily removable for cleaning.
- Recessed control panel includes power "on" and heater "on" indicator lights, dial thermostat adjustable from 60° to 190°F, and temperature read-out dial.
- Two 1,000 watt metal sheathed heating element, 16.6 amps total draw.
- Requires 120 volt, 60 Hz, single phase power supply. Furnished with 6' power cord and NEMA 5-20 plug.
- One year limited parts and labor warranty.

OPTIONS

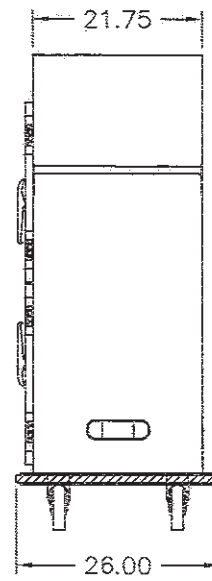
- 208/240 volt, 60 Hz, single phase with plug (NEMA 6-15).
- Locking door latches.
- Electronic digital temperature control.
- Canned heat drawer for remote locations without power.
- Plate carrier for covered and uncovered plates.
- Extra wire racks.
- Card holder.
- Two year extended limited parts and labor warranty.



TOP VIEW



FRONT VIEW



RIGHT END VIEW

MODEL NO.	CAPACITY UNCOVERED PLATES W/ PLATE CARRIERS	CAPACITY COVERED PLATES W/ OR W/O PLATE CARRIERS	OPTIONAL PLATE CARRIERS REQUIRED	EXTERIOR DIMENSIONS			ELECTRICAL			APPROX. SHIP. WT.	
				WIDTH	DEPTH	HGHT.	VOLTS	WIDTH	AMPS	LBS.	KG
VB96	96	96	12	51 $\frac{1}{2}$ "	29"	62"	120/60/1	2,000	16.6	355	161

NOTE: Maximum 11" diameter or cover, based on maximum 3 $\frac{3}{8}$ " plate height with cover.

NOTE: In line with its policy to continually improve its products, Vulcan-Hart Company reserves the right to change materials and specifications without notice.