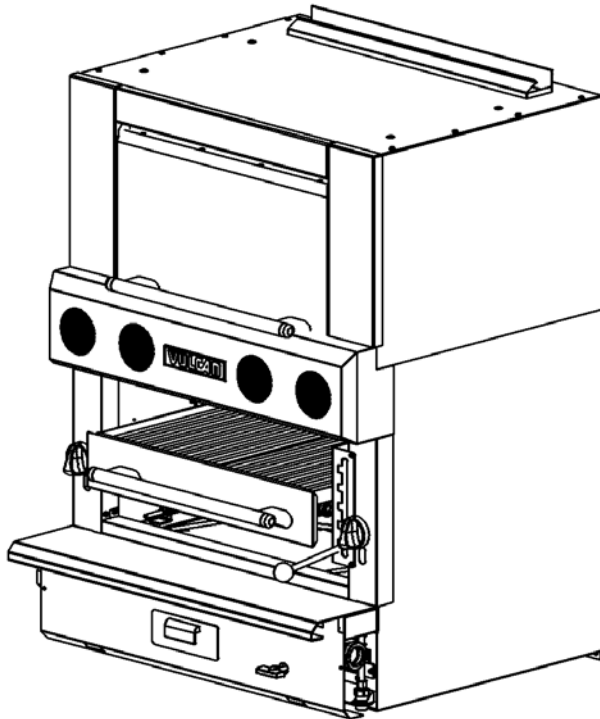




V-SERIES HDR BROILERS



IR BURNER MODELS

VIR1 (B)(S)(C) F
VIR2
VBB (B)(S)(C) F
VBB2

RADIANT BURNER MODELS

VBI2
VIB2
VST3 (B)(S)(C)

**For Oven Operations and Installation Information refer to the "V Series HDR" Operations Manual F-37403

- NOTICE -

This manual is prepared for use by trained service technicians and should not be used by those not properly qualified. If you have attended a service school for this product, you may still be qualified to perform the procedures described in this manual. This manual is not intended to be all encompassing. If you have not attended a service school for this product, you should read, in its entirety, the repair procedure you wish to perform to determine if you have the necessary tools, instruments and skills required to perform the procedure. Procedures for which you do not have the necessary tools, instruments and skills should be performed by a trained service technician.

For additional information on Vulcan- Hart or to locate an authorized parts and service provider in your area, visit our website at www.VulcanEquipment.com.

IMPORTANT FOR YOUR SAFETY

THIS MANUAL HAS BEEN PREPARED FOR PERSONNEL QUALIFIED TO INSTALL GAS EQUIPMENT, WHO SHOULD PERFORM THE INITIAL FIELD START-UP AND ADJUSTMENTS OF THE EQUIPMENT COVERED BY THIS MANUAL.

POST IN A PROMINENT LOCATION THE INSTRUCTIONS TO BE FOLLOWED IN THE EVENT THE SMELL OF GAS IS DETECTED. THIS INFORMATION CAN BE OBTAINED FROM THE LOCAL GAS SUPPLIER.

IMPORTANT

IN THE EVENT A GAS ODOR IS DETECTED, SHUT DOWN UNITS AT MAIN SHUTOFF VALVE AND CONTACT THE LOCAL GAS COMPANY OR GAS SUPPLIER FOR SERVICE.

FOR YOUR SAFETY

DO NOT STORE OR USE GASOLINE OR OTHER FLAMMABLE VAPORS OR LIQUIDS IN THE VICINITY OF THIS OR ANY OTHER APPLIANCE.

WARNING: IMPROPER INSTALLATION, ADJUSTMENT, ALTERATION, SERVICE OR MAINTENANCE CAN CAUSE PROPERTY DAMAGE, INJURY OR DEATH. READ THE INSTALLATION, OPERATING AND MAINTENANCE INSTRUCTIONS THOROUGHLY BEFORE INSTALLING OR SERVICING THIS EQUIPMENT.

IN THE EVENT OF A POWER FAILURE, DO NOT ATTEMPT TO OPERATE THIS APPLIANCE. IN THE EVENT OF POWER FAILURE, SHUT OFF GAS TO ALL BURNERS TO PREVENT THE FLOW OF UN-IGNITED GAS TO BURNERS WHEN POWER IS RESTORED. PILOTS REQUIRING MANUAL LIGHTING WILL HAVE TO BE RE-LIT WHEN POWER WHEN GAS FLOW IS RESTORED AFTER A POWER FAILURE.

STOP BOLTS



IMPORTANT

**STOP BOLTS MUST BE IN POSITION FOR SAFE OPERATION OF GRID.
IF DAMAGED OR MISSING, REPLACE AT ONCE.
DO NOT OPERATE GRID WITHOUT BOLTS.**

INSTALLATION, OPERATION AND CARE OF HEAVY DUTY BROILERS

PLEASE KEEP THIS MANUAL FOR FUTURE USE

GENERAL

The manufacturer suggests that you thoroughly read this entire manual and carefully follow all of the instructions provided.

Your Vulcan Broiler is produced with quality workmanship and material. Proper installation, usage and maintenance of your broiler will result in many years of satisfactory performance.

INSTALLATION

UNPACKING - ALL BROILER MODELS

This broiler was inspected before leaving the factory. The transportation company assumes full responsibility for safe delivery upon acceptance of the shipment. Immediately after unpacking, check for possible shipping damage. If the broiler is found to be damaged, save the packaging material and contact the carrier within 15 days of delivery.

Remove the small wood slats and wire used to hold burners and broiler grid in place.

If the appliance is to be installed on equipment requiring electrical connections verify that the electrical service and type of gas supply (natural or propane) agree with the specifications on the rating plate.

MODELS

RATING PLATE LOCATION

VIR1(B)(S)(C)F and VBB1(B)(S)(C)F

Behind Kick panel attached to burner box

VIR2 / VBB2 / VBI2 / VIB2

On the Manifold Cover

VST3 (B)(S)(C)

Behind Kick panel attached to burner box

If the supply and equipment requirements do not agree, do not proceed with the installation. Contact your dealer or Vulcan-Hart immediately.

LOCATION

The equipment area must be kept free and clear of combustible substances.

This broiler is design certified for installation with the following minimum clearances from combustible and noncombustible adjacent wall construction:

ALL MODELS:		Combustible	Non-Combustible
	Back	6 in	6 in
VIR1(B)(S)(C)F and VBB1(B)(S)(C)F	RH Side	10 in	0 in
VIR2 / VBB2 / VBI2 / VIB2	LH Side	10 in	0 in
VST3 (B)(S)(C)	Floor	6 in	6 in

The installation location must allow adequate clearances for servicing and proper operation. A minimum front clearance of 35" (889 mm) is required.

Ensure the appliance area is kept free and clear from combustibles.

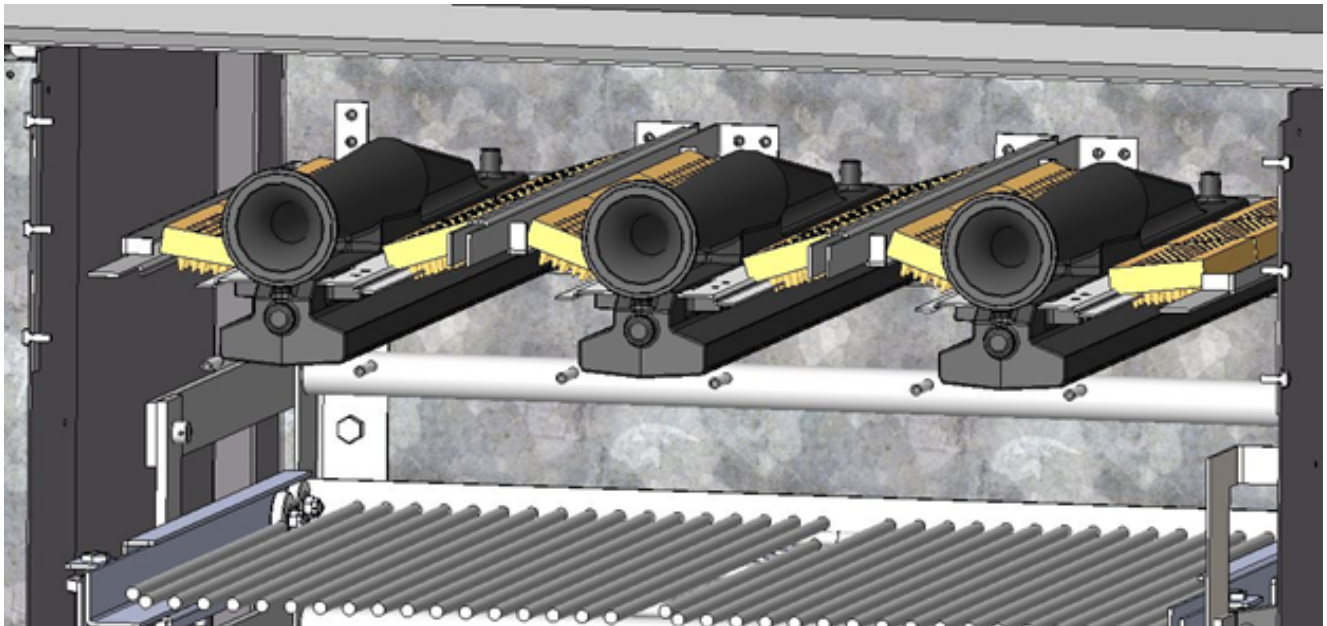
Do not obstruct the flow of combustion and ventilation air. Adequate clearance for air openings into the combustion chamber must be provided. Make sure there is an adequate supply of air in the room to replace air taken by ventilating systems and allow for combustion gas at the broiler burners.

CERAMIC RADIANT BRICK INSTALLATION

VBB and VST models are shipped with radiant ceramic bricks in a separate box packed inside the broiler or oven sections. Remove this box and unpack bricks. Handle bricks carefully as the ceramic is fragile and easily cracked.

There are 18 total bricks and should be placed on the rails alongside the burners as shown.

When properly installed, there should be three bricks on each rail, and they should be placed so as to be centered on the rail.



INSTALLATION CODES AND STANDARDS - ALL BROILER MODELS

Your broiler must be installed in accordance with:

In the United States:

1. State and local codes.
2. National Fuel Gas Code, ANSI/Z223.1/NFPA #54 (latest edition). Copies may be obtained from The American Gas Association, Accredited Standards Committee Z223 @ 400 N. Capital St. NW, Washington, DC 2001 or the Secretary Standards Council, NFPA, 1 Batterymarch Park, Quincy, MA 02169-7471.

NOTE: In the Commonwealth of Massachusetts, All gas appliances vented through a ventilation hood or exhaust system equipped with a damper or with a power means of exhaust shall comply with 248 CMR.

3. Vapor Removal From Cooking Equipment, NFPA #96 (latest edition). Copies may be obtained from The National Fire Protection Association, Batterymarch Park, Quincy MA 02169-7471.

4. National Electrical Code, ANSI/NFPA-70 (latest edition). Copies may be obtained from The National Fire Protection Association, Batterymarch Park, Quincy, MA 02169-7471.

In Canada:

1. Local codes.
2. CSA B149.1 Natural Gas and Propane Installation Code.
3. CSA C22.1 Canadian Electrical Code (latest edition). The above are available from The Canadian Standard Association, 5060 Spectrum Way, Suite 100, Mississauga, Ontario, Canada L4W 5N6.

BROILERS MOUNTED ON CASTERS

Broilers mounted on casters must use a flexible connector (not supplied by Vulcan) that complies with the Standard for Connectors for Movable Gas Appliances, ANSI Z21.69 • CSA 6.16 and a quick-disconnect device that complies with the Standard for Quick -Disconnect Devices for Use With Gas Fuel, ANSI -Z21.41 • CSA 6.9. In addition, adequate means must be provided to limit movement of the appliance without depending on the connector and the quick-disconnect device or its associated piping to limit appliance movement. Attach the restraining device at the rear of the broiler.

If disconnection of the restraint is necessary, turn off the gas supply before disconnection. Reconnect this restraint prior to turning the gas supply on and returning the broiler to its installation position.

Separate instructions for installing casters to the broiler are included with the casters.

Note: If the broiler is installed on casters and is moved for any reason, it is recommended that the broiler be re-leveled front to back and side to side.

LEVELING AND CONNECTING MANIFOLDS - ALL MODELS

1. Place the broiler in its exact position or battery lineup.
2. Using a carpenter level, level the broiler from front to rear and from side to side. Unless the broilers are level, they will not give proper cooking results, and equipment being battered will not draw up tight.

If you are installing a new battery appliance to an existing field appliance, the union on the existing field appliance must be checked against the union being used on the new range. The union manufacturer's name around the face surface of the union nut must match.

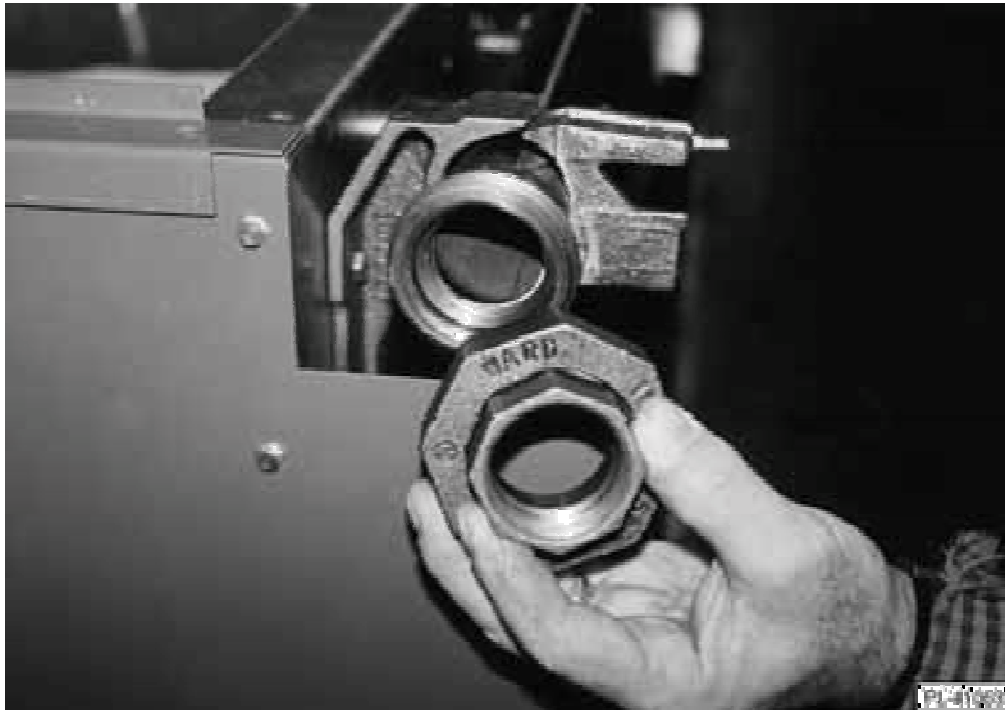


Fig. 15

3. Engage union nut on manifold pipe of the broiler with the male fitting on the next unit, and draw up union hand-tight. Be sure units butt both front and rear.
4. Continue to level up and connect manifold pipe until all broilers in the battery are connected, then tighten all manifold unions gas-tight.

Questions or concerns regarding the installation procedures may be addressed by calling the Vulcan-Hart Service Department 1-800-814-2028.

GAS CONNECTIONS

CAUTION: All gas supply connections and any pipe joint compound used must be resistant to the action of propane gases.

Connect gas supply to the broiler(s). Make sure the pipes are clean and free of obstructions, dirt and piping compound.

Codes require that a gas shutoff valve be installed in the gas line ahead of the broiler.

Natural gas broilers and propane gas broilers are equipped with fixed orifices and no adjustment is necessary.

Pressure regulators are required on all Vulcan Broilers. Regulators must have an outlet pressure of 6" (1.49 mb) Water Column for natural gas supply and 10" (2.49 mb) Water Column for propane gas.

Unless the manifold pressure on all connected appliances is the same, a separate pressure regulator must be supplied for each appliance(s) having a different manifold pressure(s).

The regulators must have:

- C.S.A. design certification.
- Enough regulation capacity for the total connected gas load.
- Pressure adjustment range to allow adjustment for the manifold pressure marked on the rating plate.

WARNING: PRIOR TO LIGHTING, CHECK ALL JOINTS IN THE GAS SUPPLY LINE FOR LEAKS. USE SOAP AND WATER SOLUTION. DO NOT USE AN OPEN FLAME.

Ensure that burner heads are connected to burner base.

After piping has been checked for leaks, all piping receiving gas should be fully purged to remove air.

TESTING THE GAS SUPPLY SYSTEM

When test pressures exceed $\frac{1}{2}$ psig (3.45 kPa), the broiler and its individual shutoff valve must be disconnected from the gas supply piping system.

When test pressures are $\frac{1}{2}$ psig (3.45 kPa) or less, the broiler must be isolated from the gas supply system by closing its individual manual shutoff valve.

FLUE CONNECTIONS

DO NOT obstruct the flow of flue gases from the flue duct located on the rear of the broiler. It is recommended that the flue gases be ventilated to the outside of the building through a ventilation system installed by qualified personnel.

From the termination of the broiler flue vent to the filters of the hood venting system, an 18" (457 mm) minimum clearance must be maintained.

Information on the construction and installation of ventilating hoods may be obtained from the standard for "Vapor Removal from Cooking Equipment," NFPA No. 96 (latest edition), available from the National Fire Protection Association, Batterymarch Park, Quincy, MA 02269.

ELECTRICAL CONNECTIONS

WARNING: ELECTRICAL AND GROUNDING CONNECTIONS MUST COMPLY WITH THE APPLICABLE PORTIONS OF THE NATIONAL ELECTRICAL CODE AND/OR OTHER LOCAL ELECTRICAL CODES.

WARNING: DISCONNECT THE ELECTRICAL POWER TO THE MACHINE AND FOLLOW LOCKOUT / TAGOUT PROCEDURES

WARNING: APPLIANCES EQUIPPED WITH A FLEXIBLE ELECTRIC SUPPLY CORD ARE PROVIDED WITH A THREE-PRONG GROUNDING PLUG. IT IS IMPERATIVE THAT THIS PLUG BE CONNECTED INTO A PROPERLY GROUNDED THREE-PRONG RECEPTACLE. IF THE RECEPTACLE IS NOT THE PROPER GROUNDING TYPE, CONTACT AN ELECTRICIAN. DO NOT REMOVE THE GROUNDING PRONG FROM THIS PLUG.

Do not connect broiler to electrical supply until after gas connections have been made.

For OVEN SECTION LIGHTING INSTRUCTIONS see Operations and Maintenance Manual Lighting Instructions Section (F-37403).

LIGHTING INSTRUCTIONS - BROILER SECTIONS

1. Ensure that gas supply to appliance (lower chrome handle) and IR broiler burners (round chrome knobs) are OFF.
2. Turn ON gas supply to appliance.
3. Turn ON gas supply to broiler.
4. Turn ON broiler burner valves to purge air.
5. Turn OFF broiler burner valves and gas supply to broiler.
6. Wait 30 seconds, turn ON gas supply to broiler.
7. Using a taper or wand, light the pilots.
8. If pilot fails to light, shut off all gas, wait 5 minutes and repeat steps 1-7.
9. Turn broiler burner valves on full to light main burner.

OPERATION

WARNING: THE BROILER AND ITS PARTS ARE HOT. USE CARE WHEN OPERATING, CLEANING, AND SERVICING THE BROILER.

CONTROLS

Finishing Oven Door Option and Handle

— Counterbalanced for easy opening. To open, lift the door handle up. To close the door, pull the handle straight down.

Grid Positioning Handle

— Allows grid assembly to be adjusted to the proper level depending on the product being prepared. The higher the positioning of the grid, the closer the product will be to the burner flame.

To relocate the grid position, grasp the grid lever arm and push the handle to the right of the index plate. Glide the arm up or down to the desired location. Push the lever arm handle to the left location. Push the lever arm and lock the arm into the proper slot.

Broiler Grid Handle

— Allows the operator to pull the grid clear of the heat zone, but does not allow the grid to be completely removed from the broiler. When the product is to be removed from the heat zone, pull the grid handle straight out. The grid assembly, which is on roller bearings, will slide out until it locks into place. To return the grid assembly to the broiling compartment, pull the grid handle slightly up and push straight back (Fig. 22).

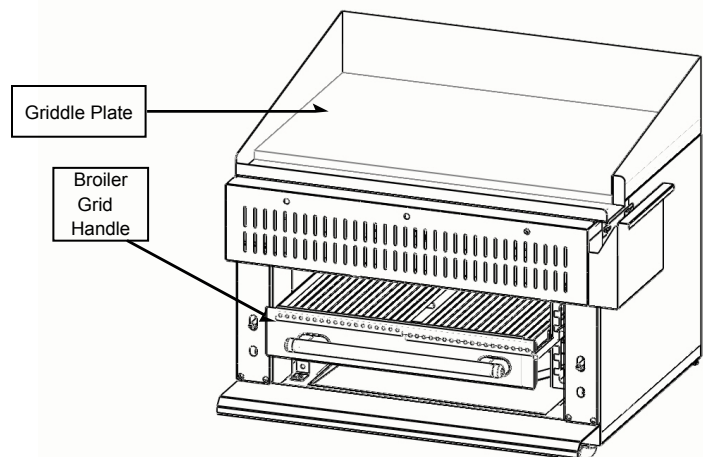
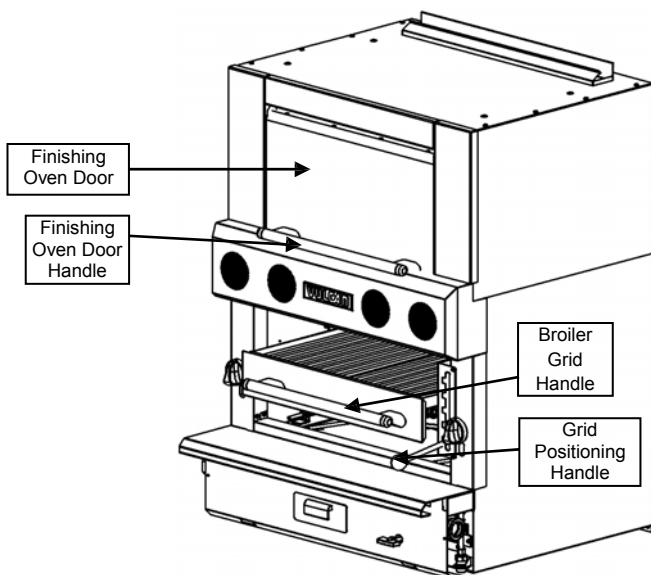


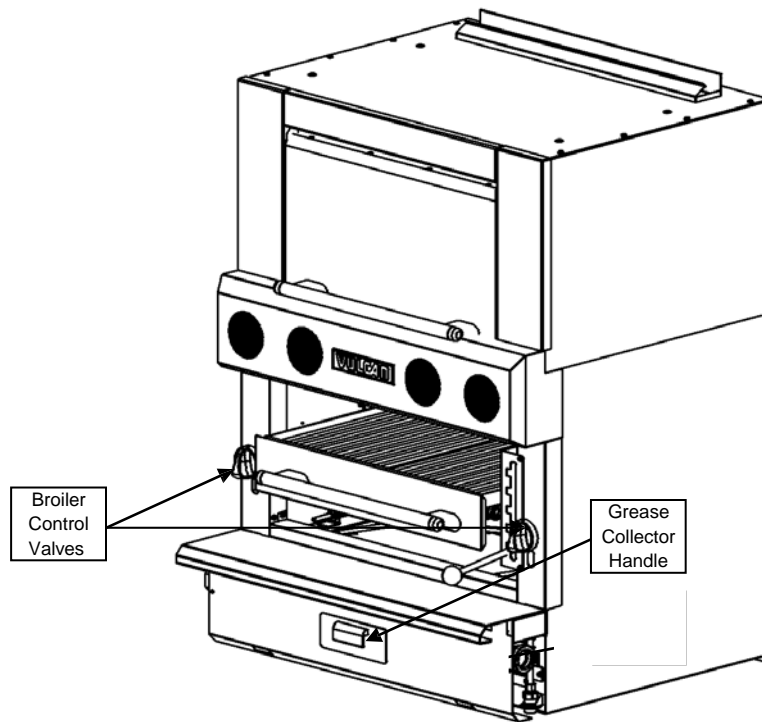
Fig. 22

Broiler Control Valve

- Regulates the flow of gas to the broiler burner. To operate the valve, turn it counterclockwise. Turn the knob clockwise to the OFF position to shut burners down.

Grease Collector Handle

- The grease pan must be checked frequently and emptied when it is about 3/4 full. To check or empty the grease collector pan, pull the grease collector handle straight out until the pan is partially exposed. If the grease pan is being emptied, carefully remove the grease pan completely from the broiler. Dispose of the grease and return the pan to the broiler before continuing to broil.



BEFORE FIRST USE

Burn off protective grid oils before cooking food products. With grid in full-up position, operate broiler at full output for approximately 1 hour or until smoking stops. The burning will cause a somewhat unpleasant odor; this is normal.

COOKING

Preheat broiler for approx. 15 minutes. Burner life will be extended if the burners are turned off between cooking periods.

Select the desired grid position and gas setting. It is recommended that gas input be reduced first when lower grid temperatures are desired. Further reduction in grid temperatures, if necessary, can then be obtained by lowering the grid position to any one of the several grid positions.

Pull the broiler grid handle straight out to slide the grid assembly out for loading. After loading product, pull the grid handle slightly up and push straight back to return the grid assembly to the cooking chamber.

USING THE BROILER

Initiation of the cooking cycle and shutdown procedures are as follows:

To Start

1. Turn left and/or right gas valve on.

Nightly Shutdown

1. Turn the left and/or right valve OFF.

Complete Shutdown

Perform Steps 1 of nightly shutdown instructions, and then turn incoming gas valve to OFF position.

CLEANING

WARNING: DISCONNECT THE ELECTRICAL POWER TO THE MACHINE AND FOLLOW LOCKOUT / TAGOUT PROCEDURES.

Daily

Exterior

Clean the exterior finish of the broiler with a mild soap solution or similar grease-dissolving material. DO NOT use Dawn Dish Detergent.

Broiler

Clean the broiler and doors, especially if fruit pies or tomato sauce were baked or meats roasted, or if there have been any spillovers.

Stainless Steel

Routine cleaning of stainless steel may be done with ordinary soap or detergent and water. DO NOT use Dawn Dish Detergent. To prevent water spots and streaks, rinse the broiler thoroughly with warm water and wipe dry with a soft, clean cloth. The addition of a rinsing agent will also help prevent spotting.

When scraping off heavy deposits of grease or oil from stainless steel broilers, use stainless steel, wood, plastic or rubber tools. Never use ordinary steel scrapers, knives or plain steel wool.

Fingerprints may be minimized by applying a cleaner that will leave a thin, oily or waxy film. Wipe the cleaner on and remove the excess with a soft, dry cloth. Subsequent fingerprints will usually disappear when wiped lightly with a soft, dry cloth containing a little of the cleaner. If the surface is especially dirty to start with, wash first with soap or detergent and water.

Soaking with hot, soapy water will help greatly to remove burned- on foods and grease. Stubborn deposits can be removed with scouring powder mixed into a paste and applied with stainless steel wool or sponges. Do not use ordinary steel wool because particles that remain can eventually rust and cause unsightly spots and stains. Rub in the direction of the polish lines.

Straw -colored or slightly darkened areas may appear on stainless steel appliances where temperatures reach 500°F (260°C) or more. This "heat tint" is caused by a slight oxidation of the stainless steel and is not harmful.

To control or minimize this condition, never use more heat than is absolutely necessary. Do not use oversize pots where whipping of the flames will occur.

Heat tint can be partially removed by scouring vigorously with stainless steel wool and a paste made of scouring powder or stainless cleaner. Rub in the direction of the polish lines.

MAINTENANCE

WARNING: THE BROILER AND ITS PARTS ARE HOT. USE CARE WHEN OPERATING, CLEANING, AND SERVICING THE BROILER.

WARNING: DISCONNECT THE ELECTRICAL POWER TO THE MACHINE AND FOLLOW LOCKOUT / TAGOUT PROCEDURES.

The efficient operation of this broiler depends upon a rather delicate balance between the volume of gas and the supply of air. Unless complete combustion of the gas is achieved, poor operating characteristics and excessive gas consumption can occur.

Periodic cleaning of the burners by an authorized servicer is recommended.

LUBRICATION

No lubrication is needed.

TROUBLESHOOTING

CHECKS TO BE MADE BEFORE CALLING THE SERVICER

1. Ensure main gas supply is on to the unit.
2. Ensure pilot light is lit.

SERVICE AND PARTS INFORMATION

To obtain service and parts information concerning this charbroiler, contact the Authorized Service Agency in your area (refer to our website, www.vulcanhart.com for a complete listing of Authorized Service and Parts depots) or contact 1-800-814-2028 for Technical Service and Parts Assistance.

When calling for service, the following information must be available: model number, serial number, manufactures date (MD) and voltage.

This manual should be retained for future reference.

NOTES

ENTRETIEN

AVERTISSEMENT : LE GRILLOIR ET SES COMPOSANTS SONT CHAUDS. EXERCER UNE EXTRÊME PRUDENCE LORS DE L'EXPLOITATION, DU NETTOYAGE ET DE L'ENTRETIEN DE CET APPAREIL.

AVERTISSEMENT : COUPER L'ALIMENTATION ÉLECTRIQUE DE L'APPAREIL ET SUIVRE LES PROCÉDURES DE VERROUILLAGE ET D'ÉTIQUETAGE.

Le fonctionnement efficace de cet appareil dépend du bon équilibre entre le volume de gaz et le débit d'air. Si la combustion complète du gaz n'est pas terminée, l'appareil ne fonctionnera pas de façon satisfaisante et la consommation de gaz sera accrue.

Il est conseillé de faire un nettoyage périodique des brûleurs par un technicien de l'entretien autorisé.

LUBRIFICATION

Aucune lubrification n'est nécessaire

DÉPANNAGE

AVANT D'APPELER LE TECHNICIEN, VÉRIFIER LES POINTS SUIVANTS :

1. S'assurer que l'alimentation en gaz principal est ouverte.
2. S'assurer que le voyant de la veilleuse est allumé.

SERVICE DE L'ENTRETIEN ET PIÈCES DE RECHANGE

Pour l'entretien de cet appareil ou pour obtenir des renseignements sur les pièces de rechange, communiquer avec le service de l'entretien Vulcan-Hart le plus près (pour une liste complète de nos succursales de service de l'entretien et de pièces autorisées, visiter notre site Web à l'adresse : www.vulcanhart.com) ou au 1 800 814-2028 pour l'Aide technique et les Pièces.

Lors d'un appel de service, fournir les renseignements suivants : le numéro de modèle, le numéro de série, la date de fabrication, le type de gaz et d'alimentation électrique.

Manuel à conserver pour références futures.

NETTOYAGE

AVERTISSEMENT : COUPER L'ALIMENTATION ELECTRIQUE DE L'APPAREIL ET SUIVRE LES PROCÉDURES DE VERROUILLAGE ET D'ÉTIQUETAGE.

Quotidiennement

Revetement extérieur

Nettoyer le revêtement extérieur avec une solution d'eau savonneuse douce ou un produit pour dissoudre la graisse. NE PAS utiliser le détergent à vaisselle Dawn.

Grilloir

Nettoyer le grilloir et les portes, spécialement après la cuisson de tartes aux fruits, de sauces aux tomates ou de viande ou après un débordement.

Acier inoxydable

Utiliser du savon ordinaire ou du détergent et de l'eau pour le nettoyage quotidien de l'acier inoxydable. NE PAS utiliser de détergent à vaisselle Dawn. Pour éviter la présence de taches d'eau et de rayures, rincer l'appareil à fond à l'eau chaude et l'essuyer à l'aide d'un chiffon sec, doux et propre. L'ajout d'agent de rinçage peut également s'avérer efficace.

Pour enlever les dépôts tenaces de graisse ou d'huile sur une surface en acier inoxydable, utiliser un instrument pour acier inoxydable en bois, en plastique ou en caoutchouc. Ne jamais utiliser une racle en acier ordinaire, un couteau ou une laine d'acier.

Les empreintes de doigts constituent parfois un problème sur les surfaces en acier inoxydable très polies. Il est possible de minimiser leur formation au moyen d'un nettoyeur qui laissera un léger film d'huile et de cire. Étendre ce type de nettoyeur sur la surface et enlever l'excédent d'huile à l'aide d'un chiffon doux et sec. Par la suite, les empreintes de doigts disparaîtront en les essuyant légèrement à l'aide d'un chiffon doux ou d'un chiffon contenant une petite quantité de nettoyeur. Si la surface est particulièrement sale au départ, la laver d'abord à l'eau savonneuse ou au détergent.

La graisse et les aliments brûlés s'enlèvent facilement à l'eau savonneuse. Enlever les dépôts rebelles à l'aide d'une poudre à récurer mélangée dans de la pâte que l'on applique au moyen d'une laine ou d'une éponge pour acier inoxydable. Ne pas utiliser de laine d'acier ordinaire puisqu'elle pourrait laisser des particules qui risquent de s'incruster. Elles pourraient aussi former des taches non visibles à l'œil nu et faire rouiller la surface. Frotter dans le sens des lignes du poli.

Il peut se former des taches de couleur paille ou légèrement plus foncées lorsque l'acier inoxydable est soumis à des températures de 260 °C (500 °F) ou plus. Ces "colorations de recuit" sont causées par une légère oxydation de l'acier inoxydable et ne sont pas nocives.

Pour empêcher ou minimiser ce phénomène, ne jamais chauffer l'appareil plus qu'il n'est vraiment nécessaire. Ne pas utiliser de casseroles trop grandes parce que les flammes pourraient lécher les surfaces en acier inoxydable.

Les colorations de recuit s'enlèvent en récurant la surface vigoureusement à l'aide d'une laine pour acier inoxydable et de pâte fabriquée à partir de poudre à récurer. Frotter dans le sens des lignes du poli.

CUISSON

Avant d'utiliser les grilloirs, il n'est pas nécessaire de les préchauffer, ni qu'il n'est nécessaire de garder le gaz à un bas réglage lorsque les grilloirs ne fonctionnent pas. Les températures de grillage sont atteintes en 90 secondes. La durée de vie du brûleur sera prolongée si les brûleurs sont éteints entre les périodes de cuisson.

Choisir la position de la grille et le réglage du gaz désirés. Il est conseillé de réduire l'entrée de gaz en premier lorsque des températures de grilles plus basses sont désirées. On peut, si nécessaire, réduire la température de la grille en abaissant la position de la grille à n'importe laquelle des positions.

Tirer la poignée du grilloir vers soi pour faire glisser l'assemblage de la grille à l'extérieur pour le chargement. Après le chargement du produit, tirer doucement sur la poignée de la grille et pousser vers l'arrière pour retourner l'assemblage de la grille à la chambre de cuisson.

UTILISATION DU GRILLOIR

L'amorçage du cycle de cuisson et les procédures d'arrêt sont les suivantes :

Pour le démarrage du grilloir

1. Mettre le robinet gauche ou droit à ON (marche).

Arrêt tous les soirs

1. Mettre le robinet gauche ou droit à OFF (arrêt).

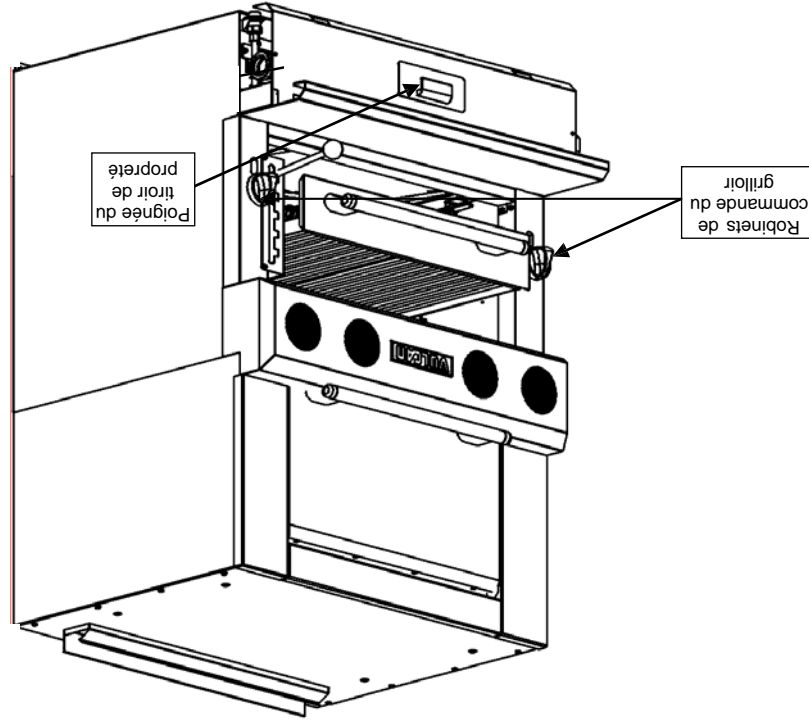
Si le robinet de gaz manuel jaune, tel que l'on trouve sur certains modèles, est fermé, tous les gaz du module supérieur de l'appareil, incluant la veilleuse, doivent être fermés. Les veilleuses doivent être allumées à nouveau une fois que le robinet de gaz est allumé.

Arrêt complet

Suivre les étapes 1 pour Arrêt tous les soirs, puis mettre le robinet de gaz principal à OFF (arrêt).

Avant la cuisson de produits, brûler les huiles de protection de la grille. Mettre la grille à la position du haut et faire fonctionner le grillot à une puissance maximale pendant environ 1 heure ou jusqu'à ce qu'il n'y ait plus de fumée. Il est normal qu'il se dégage une odeur de brûlé incommode.

AVANT UNE PREMIÈRE UTILISATION



— Le tiroir de propreté servant à recueillir la graisse doit être vérifié fréquemment et vidé lorsqu'il est plein au 3/4. Pour le vérifier ou le vider, tirer la poignée vers soi jusqu'à ce qu'il soit partiellement exposé. Si vous l'enlevez pour le vider, l'enlever avec soin du grillot. Vider la graisse et remettre le tiroir de propreté sur le grillot avant de continuer le grillage.

Poignée du tiroir de propreté

— Règle le débit de gaz vers le brûleur du grillot. Pour faire fonctionner le robinet, le tourner dans le sens inverse des aiguilles d'une montre. Pour éteindre les brûleurs, tourner le bouton dans le sens des aiguilles d'une montre jusqu'à la position OFF (arrêt)

Finion de commande du grillot

AVERTISSEMENT : LES COMPOSANTS CHAUDS PEUVENT CAUSER DES BRÛLURES. EXERCER UNE EXTRÊME PRUDENCE LORS DE L'EXPLOITATION, DU NETTOYAGE ET DE L'ENTRETIEN DU GRILLOIR.

FONCTIONNEMENT

COMMANDES

- Contrebalancée pour une ouverture facile.
- Pour ouvrir, tirer la poignée de la porte vers le haut. Pour fermer, la tirer vers le bas.

Poignée de positionnement de la grille

- Permet de régler l'assemblage de la grille au bon niveau selon le produit qui est préparé. Plus la grille est positionnée élevée, plus le produit sera près à la flamme du brûleur.

Pour relocaliser la position de la grille, saisir le bras de levier de la grille et pousser la poignée à droite de la plaque index. Glisser le bras vers le haut et vers le bas à l'emplacement désiré. Pousser la poignée du bras de levier vers la gauche et verrouiller le bras dans la fente appropriée.

Poignée de la grille du grilloir

- Permet à l'utilisateur de tirer la grille pour la dégager de la zone de chaleur, mais la grille ne peut être enlevée complètement du grilloir. Lorsque le produit doit être enlevé de la zone de chaleur, tirer la poignée de la grille vers soi. L'assemblage de la grille, qui est sur des roulements à rouleaux, va glisser jusqu'à ce qu'il se verrouille en place. Pour retourner l'assemblage de la grille au compartiment du grilloir, tirer la poignée de la grille doucement vers le haut et pousser vers l'arrière (Fig. 22).

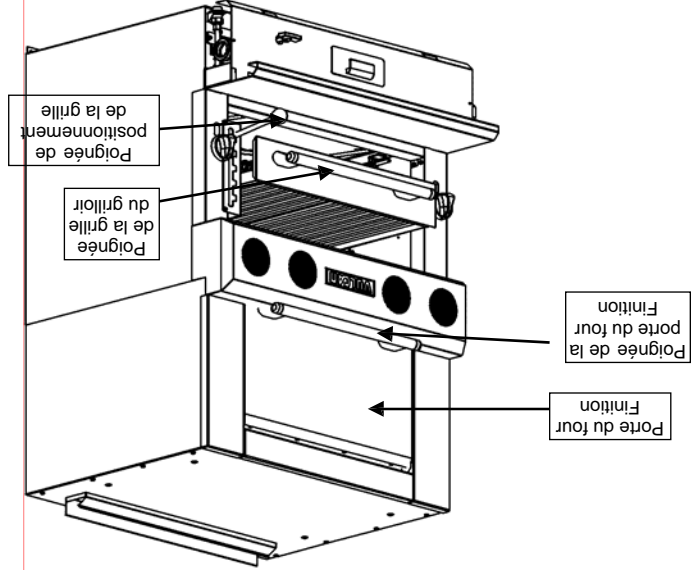


Fig. 22

1. S'assurer que l'alimentation en gaz de l'appareil (poignée inférieure en chrome) et les brûleurs du grilloir IR (boutons ronds en chrome) sont à OFF (arrêt).
2. Mettre l'alimentation en gaz de l'appareil à ON (marche).
3. Mettre l'alimentation en gaz du brûleur à ON (marche).
4. Mettre les robinets du brûleur à ON (marche) pour purger l'air.
5. Mettre les robinets du brûleur et l'alimentation en gaz du grilloir à OFF (arrêt).
6. Attendre 30 secondes et mettre l'alimentation en gaz u grilloir à ON (marche).
7. A l'aide d'une bougie ou d'une baguette, allumer les deux veillesuses.
8. Si la veillesuses refuse de s'allumer, fermer tous les robinets de gaz. Attendre 5 minutes et reprendre les étapes de 1 à 7.
9. Mettre les robinets de brûleur du grilloir à ON (marche) pour allumer les brûleurs principaux.

DIRECTIVES D'ALLUMAGE - GRILLOIRS

POUR LES INSTRUCTIONS D'ALLUMAGE DU FOUR, se référer au Mode d'emploi et d'entretien dans la section Directives d'allumage (F-37403).

Ne pas établir l'alimentation électrique tant que tous les raccords de gaz n'auront pas été faits.

FICHE:

AVERTISSEMENT : LES APPAREILS MUNIS D'UN CORDON D'ALIMENTATION FLEXIBLE SONT POURVUS D'UNE FICHE DE MISE À LA TERRE À TROIS BROCHES. LA PRISE DANS LAQUELLE ELLE EST BRANCHÉE DOIT ÊTRE CORRECTEMENT MISE À LA TERRE. SI ELLE NE L'EST PAS, COMMUNIQUER AVEC UN ÉLECTRICIEN. NE PAS ENLEVER LA BROCHE DE MISE À LA TERRE DE LA FICHE.

AVERTISSEMENT : COUPER L'ALIMENTATION ÉLECTRIQUE DE L'APPAREIL ET SUIVRE LES PROCÉDURES DE VERROUILLAGE ET D'ÉTIQUETAGE.

AVERTISSEMENT : LE RACCORDEMENT ÉLECTRIQUE ET LA MISE À LA TERRE DOIVENT ÊTRE CONFORMES AUX NORMES CONCERNÉES DU CODE CANADIEN DE L'ÉLECTRICITÉ OU TOUT AUTRE CODE D'ÉLECTRICITÉ EN VIGUEUR.

RACCORDEMENT ÉLECTRIQUE

BRANCHEMENT DU GAZ

ATTENTION : Tous les raccords d'alimentation de la conduite de gaz et la pâte à joints de tuyaux doivent résister à l'action du gaz propane.

Raccorder la conduite de gaz au grilloir. S'assurer que les tuyaux sont propres et qu'ils ne comportent aucun corps étranger ni trace de saleté ou de pâte à joints.

Conformément aux exigences des codes, installer un robinet d'arrêt dans la conduite de gaz du grilloir devant le grilloir.

Les grilloirs au gaz naturel et au propane sont munis d'injecteurs fixes et aucun réglage n'est nécessaire.

Tous les grilloirs Vulcan requièrent un régulateur de pression dont la pression de sortie est de 1,49 kPa (6 po de colonne d'eau) pour le gaz naturel et 2,49 kPa (10 po de colonne d'eau) pour le gaz propane.

À moins que la pression de la tubulure d'alimentation soit la même, un régulateur de pression séparé doit être fourni pour chaque appareil ayant une pression différente.

Le régulateur de pression doit être conforme aux spécifications suivantes :

- Il doit être approuvé par le C.S.A.
- Il doit être réglé de manière à supporter la puissance totale en gaz.
- Sa marge de réglage doit correspondre aux indications de la plaque signalétique de l'appareil.

AVERTISSEMENT : AVANT DE PROCÉDER À L'ALLUMAGE, FAIRE CIRCULER DE L'EAU SAVONNEUSE DANS TOUTS LES JOINTS DE LA CONDUITE DE GAZ POUR S'ASSURER QU'ILS NE PRÉSENTENT AUCUNE FUIITE. NE PAS SE SERVIR D'UNE FLAMME NUE.

S'assurer que les têtes de brûleurs sont raccordées.

Après avoir enrayé toute possibilité de fuite, purger la conduite de gaz pour évacuer tout l'air qu'elle contient.

ESSAIS DE LA CANALISATION DE GAZ

Si la pression de la canalisation de gaz est supérieure à 3,45 kPa (1/2 psig) lors d'essais de pression, débrancher le grilloir et son robinet d'arrêt de la conduite de gaz.

Lorsque la pression d'essai est égale ou inférieure à 3,45 kPa (1/2 psig), isoler l'appareil de la canalisation de gaz en fermant son robinet manuel.

RACCORDEMENT DU CONDUIT D'ÉVACUATION

NE PAS obstruer le débit des gaz de combustion dans le conduit d'évacuation à l'arrière de l'appareil. Il est recommandé que les gaz de combustion soient ventés à l'extérieur de l'immeuble par un système de ventilation installé par un personnel qualifié.

Maintenir un dégagement minimal de 457 mm (18 po) entre l'extrémité du conduit d'évacuation de l'appareil et les filtres de la hotte de ventilation.

Les informations sur la construction et l'installation des hottes de ventilation sont comprises dans la norme NFPA n° 96 (dernière édition) relative à l'installation de matériel pour l'évacuation des fumées et vapeurs grasses des cuisines commerciales dont on peut se procurer un exemplaire auprès de la National Fire Protection Association, Batterymarch Park, Quincy, MA 02269.

Pour toute question au sujet des directives d'installation ci-dessus, communiquer avec le service de l'entreten Vulcan-Hart au 1 800 814-2028.

4. Poursuivre le nivelage et le raccordement des tuyaux de la tubulure d'alimentation jusqu'à ce que tous les grilloirs soient raccordés en batterie, puis bien serrer tous les raccords-unions de gaz.
3. Mettre le raccord-union en prise avec la tubulure d'alimentation, le raccord mâle vers l'appareil adjacent, et le serrer à la main. S'assurer que le devant et le derrière de chaque grilloir sont bien aboutés.

Fig. 15



Pour le raccord en batterie d'un appareil récent à un appareil déjà en place, s'assurer que le raccord-union est le même. Vérifier si le nom du fabricant gravé sur la surface des raccords-unions des deux appareils est le même.

2. En utilisant un niveau de menuisier, niveler le grilloir de l'avant vers l'arrière et d'un côté à l'autre. Si les grilloirs ne sont pas nivelés, ils ne donneront pas de résultats satisfaisants et l'équipement en batterie ne s'alignera pas solidement.
1. Placer le grilloir à sa position exacte ou aligné en batterie.

NIVELAGE ET RACCORDEMENT DE LA TUBULURE D'ALIMENTATION - TOUS LES MODELES

CODES D'INSTALLATION ET NORMES - TOUS LES MODELES DE GRILLOIRS

L'installation de votre cuisinière doit se faire selon les codes suivants :

Aux Etats-Unis :

1. Codes locaux
2. Norme ANSI/Z223.1 (dernière édition) du National Fuel Gas Code dont on peut se procurer un exemplaire auprès de l'American Gas Association Inc., 1515 Wilson Blvd., Arlington, VA 22209.
3. Norme ANSI/NFPA-70 (dernière édition) du National Electrical Code dont on peut se procurer un exemplaire auprès de la National Fire Protection Association, Batterymarch Park, Quincy, MA 02269.

Au Canada :

1. Codes locaux.
2. Norme CSA B149.1 du Code d'installation des appareils fonctionnant au gaz naturel et propane.
3. Norme CSA C22.1 du Code canadien de l'électricité (dernière édition).

On peut se procurer un exemplaire des normes ci-dessus auprès de l'Association canadienne de normalisation, 5060 Spectrum Way, Bureau 100, Mississauga, Ontario, Canada L4W 5N6.

Lorsque l'appareil est installé sur un équipement requérant un raccordement électrique, il doit être mis à la terre conformément aux exigences des codes, ou, en l'absence des codes, il doit être conforme aux exigences du National Electrical Code ANSI/NFPA 70, ou du Code canadien de l'électricité CSA C22.2

GRILLOIRS SUR ROULETTES

Si l'appareil doit être installé sur des roulettes, se munir d'un connecteur flexible (non fourni par Vulcan) conforme aux normes ANSI-Z21.69 • CSA 6.16 sur les connecteurs des appareils au gaz mobile et d'un raccord à débranchement rapide conforme aux normes ANSI-Z21.41 • CSA 6.9. En plus, prendre les moyens nécessaires pour limiter le mouvement de l'appareil sans devoir compter sur le connecteur ou le raccord à débranchement rapide, ni même sur la tuyauterie pour le garder immobile. Fixer le dispositif de retenue à l'arrière de la cuisinière.

Si s'avère nécessaire de détacher le dispositif de retenue, couper l'alimentation en gaz de l'appareil. Le rattachement avant de rétablir l'alimentation en gaz et de remettre l'appareil en position d'exploitation.

Des instructions pour l'installation de roulettes sont incluses avec les roulettes séparément.

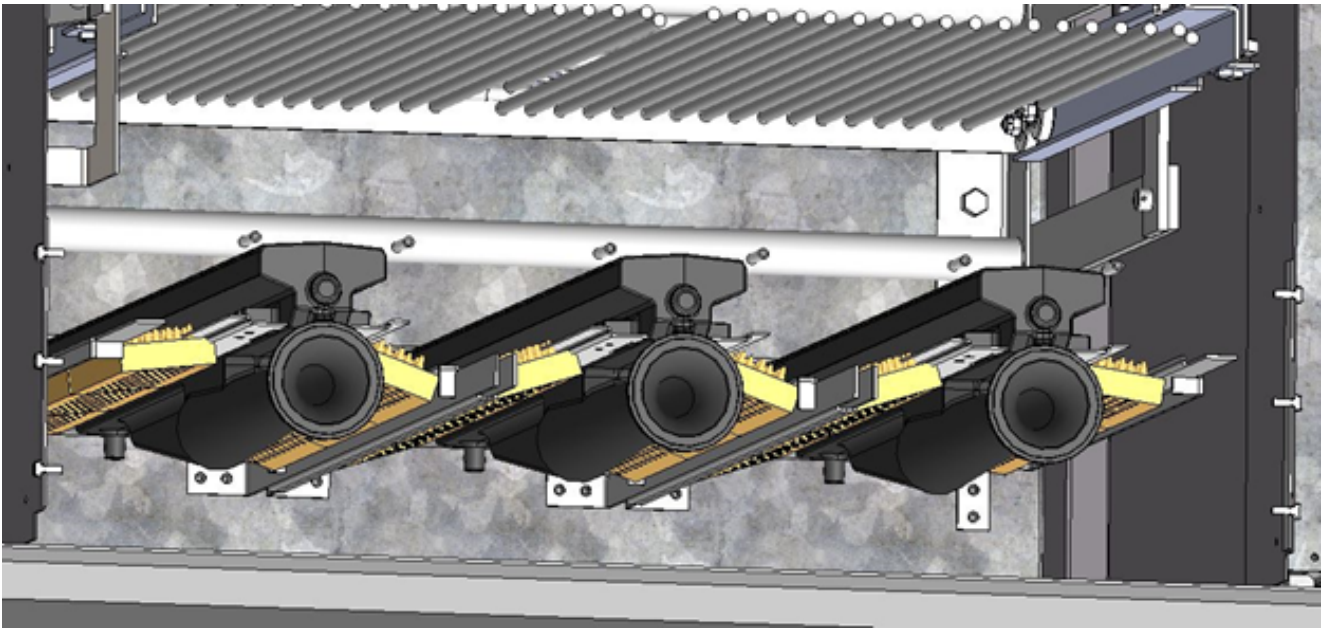
Nota : Si le grilloir est installé sur des roulettes et doit être déplacé pour une raison ou une autre, il est conseillé de la niveler à nouveau d'avant en arrière et d'un côté à l'autre.

INSTALLATION DE LA BRIQUE RADIANT EN CERAMIQUE

Les modèles VBB et VST sont livrés avec des briques de céramique radiante dans une boîte séparée emballée à l'intérieur des sections de grill ou de four. Retirez cette boîte et déballez les briques. Manipuler les briques soigneusement car la céramique est fragile et facilement fissurée.

Il ya 18 briques au total et doit être placé sur les rails le long des brûleurs comme indiqué.

Lorsqu'il est correctement installé, il doit y avoir trois briques sur chaque rail, et elles doivent être placées de manière à être centrées sur le rail



EMPLACEMENT

Aucune substance combustible ne doit se trouver à proximité de l'appareil.

Ce grilloir a été conçu en observant les dégagements minimaux suivants de toute construction combustible et incombustible :

MODÈLE	CONSTRUCTION COMBUSTIBLE	CONSTRUCTION NON-COMBUSTIBLE
VIR1 (B)(S)(C) F, VBB (B)(S)(C)	152 MM (6 PO)	152 MM (6 PO)
VIR2, VBB, VB12, VST3 (B)(S)(C)	ARRIÈRE	CÔTÉ
	DROIT	DROIT
	CÔTÉ	Aucun
	GAUCHE	Aucun
	PLANCHER	152 MM (6 PO)
		254 MM (10 PO)
		254 MM (10 PO)
		152 MM (6 PO)

Les grilloirs doivent se trouver dans un endroit suffisamment espacé pour permettre leur entretien et leur fonctionnement appropriés. Un dégagement minimal de 889 mm (35 po) est requis devant l'appareil.

S'assurer que l'emplacement de l'appareil est libre de toute construction combustible.

Ne pas obstruer la circulation de l'air nécessaire à la combustion et à l'aération. Observer un dégagement suffisant autour des ouvertures d'approvisionnement d'air de la chambre de combustion. Maintenir une aération suffisante dans la pièce pour assurer le remplacement de l'air évacué par le système de ventilation pour permettre la combustion des gaz aux brûleurs du grilloir.

INSTALLATION, FONCTIONNEMENT ET ENTRETIEN GRILLOIRS À SERVICE INTENSE

DOCUMENT À CONSERVER.

GENERAL

Il est recommandé de lire ce manuel au complet et de suivre attentivement toutes les instructions du fabricant.

Les grilloirs Vulcan sont fabriqués avec le plus grand soin à partir des meilleurs matériaux. Leur installation, utilisation et entretien appropriés permettront d'en obtenir un rendement optimal pendant de nombreuses années.

INSTALLATION

DÉBALLAGE - TOUS LES MODÈLES DE GRILLOIRS

Avant de quitter l'usine, cet appareil a été inspecté soigneusement. Le transporteur est entièrement responsable de la livraison de l'appareil. Immédiatement après avoir déballé l'appareil, vérifiez s'il n'a pas été endommagé lors du transport. En cas de dommages, conserver le matériel d'emballage et aviser le transporteur dans les 15 jours suivant la date de réception.

Retirer les petites planchettes de bois et câbles utilisés pour maintenir les brûleurs et la grille du grilloir en place.

Avant de procéder à l'installation, s'assurer que le type de gaz (naturel ou propane) de l'immeuble correspond aux spécifications de la plaque signalétique.

MODELES **EMPLACEMENT DE LA PLAQUE SIGNALÉTIQUE**

VIR1(B)(S)(C)F and VBB1(B)(S)(C)F	Sur le couvercle de la tubulure d'alimentation
VIR2 / VBB2 / VB12 / VIB2	Derrrière le panneau inférieur attachée à la boîte du brûleur
VST3 (B)(S)(C)	Sur le couvercle de la tubulure d'alimentation

Si l'alimentation et les spécifications ne correspondent pas, ne pas installer l'appareil et communiquer sans tarder avec le détaillant Vulcan-Hart.

NE PAS FAIRE FONCTIONNER LA GRILLE SANS CES BOULONS.
IMMÉDIATEMENT.
S'ILS SONT ENDOMMAGÉS OU MANQUANTS, LES REMPLACER
GRILLE PUISSE FONCTIONNER EN TOUTE SÉCURITÉ.
LES BOULONS D'ARRÊT DOIVENT ÊTRE EN PLACE POUR QUE LA

IMPORTANT



BOULONS D'ARRÊT

EN CAS DE PANNE DE COURANT, NE PAS FAIRE FONCTIONNER CET APPAREIL. FERMER LE ROBINET DE GAZ DE TOUTS LES BRÛLEURS POUR PRÉVENIR LE DÉBIT DE GAZ ACCUMULÉ AUX BRÛLEURS LORSQUE L'ALIMENTATION SERA RÉTABLIE. APRÈS UNE PANNE DE COURANT, LES VEILLEUSES QUI EXIGENT UN ALLUMAGE MANUEL DEVRONT ÊTRE ALLUMÉES À NOUVEAU LORSQUE LE DÉBIT DE GAZ SERA RÉTABLI.

AVERTISSEMENT

L'INSTALLATION, LE RÉGLAGE, LA MODIFICATION ET L'ENTRETIEN INCORRECTS DE CET APPAREIL PEUVENT CAUSER DES DOMMAGES MATÉRIELS, DES BLESSURES ET MÊME LA MORT. LIRE LES INSTRUCTIONS D'INSTALLATION, DE FONCTIONNEMENT ET D'ENTRETIEN AVANT DE PROCÉDER À TOUTE INSTALLATION OU TOUT ENTRETIEN.

MESURE DE SÉCURITÉ

NE PAS RANGER NI UTILISER DE L'ESSENCE NI TOUT AUTRE LIQUIDE OU VAPEUR INFLAMMABLE À PROXIMITÉ DE CET APPAREIL OU DE TOUT AUTRE APPAREIL.

IMPORTANT

EN CAS D'ODEURS DE GAZ, ÉTEINDRE L'APPAREIL PAR LE ROBINET D'ARRÊT PRINCIPAL ET COMMUNIQUER AVEC LA COMPAGNIE DE GAZ LA PLUS PRÈS OU AVEC LE FOURNISSEUR DE GAZ ATTIRÉ POUR L'ENTRETIEN.

CE MANUEL A ÉTÉ PRÉPARÉ À L'INTENTION D'UN PERSONNEL QUALIFIÉ ET AUTORISÉ À INSTALLER DES APPAREILS FONCTIONNANT AU GAZ ET À EFFECTUER LE DÉMARRAGE INITIAL CHEZ LE CLIENT DE MÊME QUE LE RÉGLAGE DES APPAREILS CONCERNÉS DANS CE MANUEL. AFFICHER À UN ENDROIT VISIBLE LES PREMIERS SOINS À ADMINISTRER À TOUTE PERSONNE AYANT RESPIRÉ LES GAZ QUE CET APPAREIL DÉGAGE. ON PEUT SE PROCURER CES INFORMATIONS CHEZ LE FOURNISSEUR DE GAZ LE PLUS PRÈS.

MESURES DE SÉCURITÉ IMPORTANTES

MODE D'EMPLOI

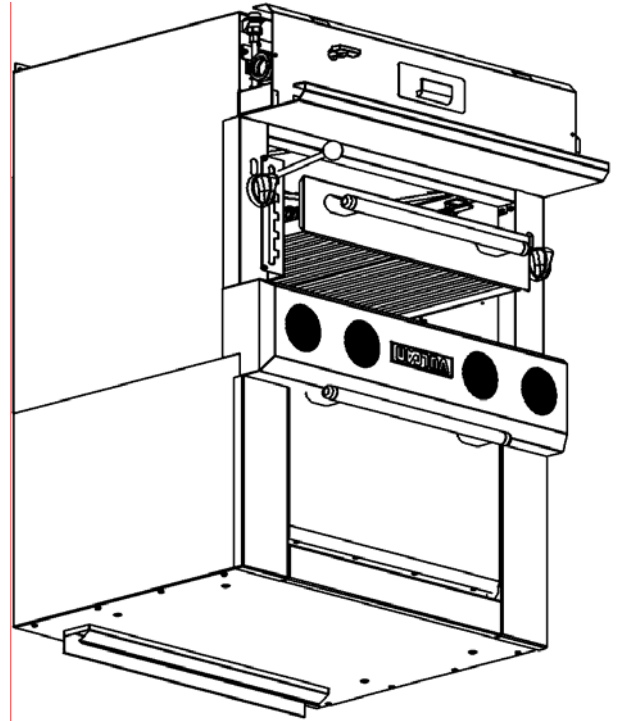


GRILLOIRS HDR DE LA SÉRIE V

INFRAROUGE MODELES
VIR1 (B)(S)(C) F
VIR2
VBB (B)(S)(C) F
VBB2

RAYONNANT MODELES
VB12
VIB2
VST3 (B)(S)(C)

** Pour de plus amples détails concernant le fonctionnement et l'installation du four, se référer au Mode d'emploi F-37403 sur les fours HDR de la série V.



- AVIS -

Ce manuel a été préparé à l'intention de techniciens de l'entretien qui ont reçu une formation et ne devrait pas être utilisé par des personnes qui ne sont pas qualifiées. Si vous avez assisté à un atelier de formation sur ce produit, vous pouvez aussi être qualifié pour exécuter les procédures décrites dans ce manuel.

Ce manuel peut ne pas couvrir tous les aspects de cet appareil. Si vous n'avez pas assisté à un atelier de formation sur cet appareil, vous devriez lire, en entier, la procédure qui se rapporte à la réparation que vous désirez effectuer pour déterminer si vous avez les outils, les instruments et les compétences requises pour la faire. Si ce n'est pas le cas, vous devrez avoir recours à un technicien qualifié de l'entretien.

Pour de plus amples détails concernant Vulcan-Hart ou pour repérer le détaillant de pièces et de service autorisé le plus près, visiter notre site Web à : www.vulcanequipment.com