



# CATALOG OF REPLACEMENT PARTS

## CC34, B32, & C32 FOOD PROCESSORS

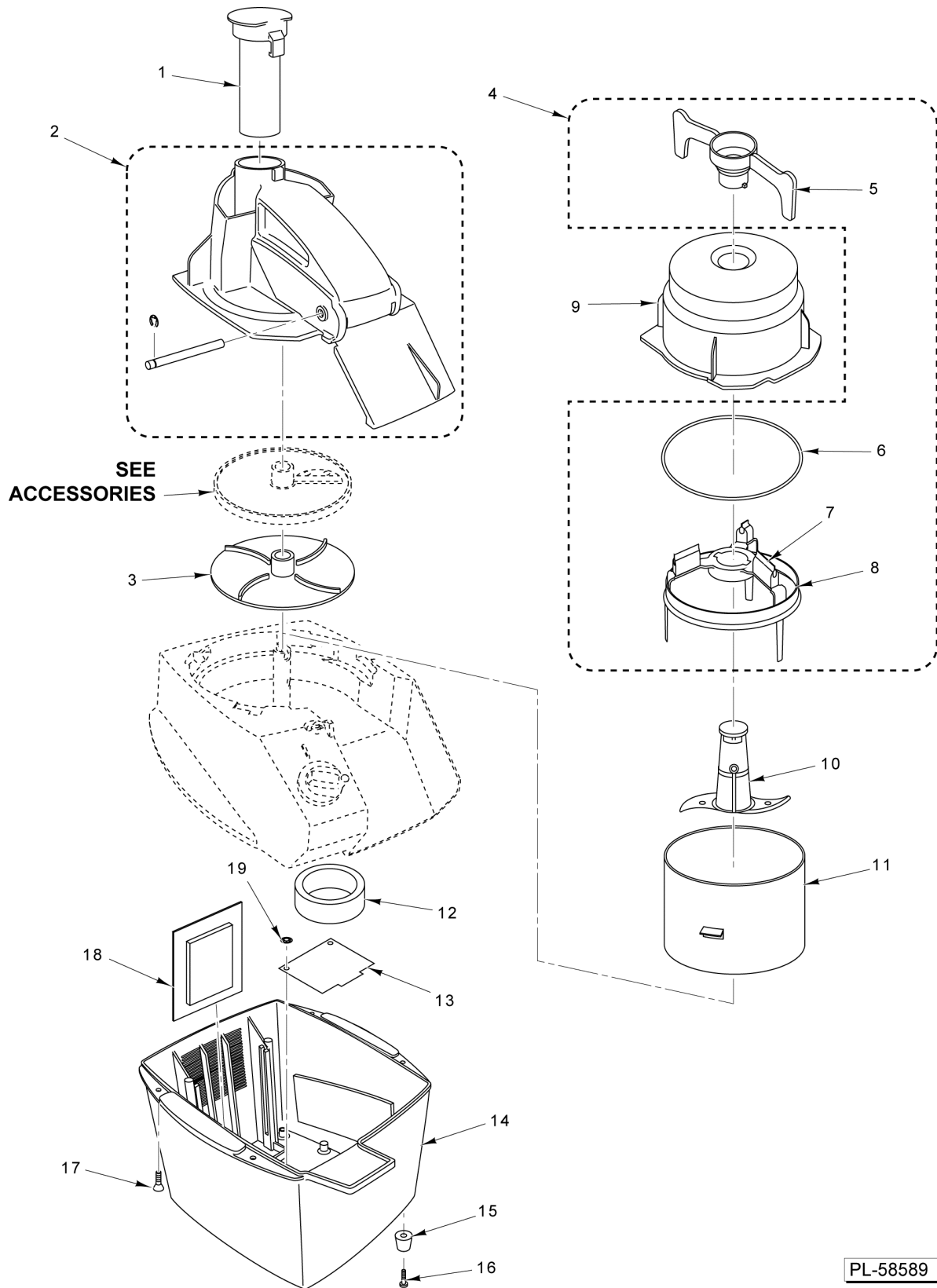


CC34  
B32  
C32



**Table of Contents**

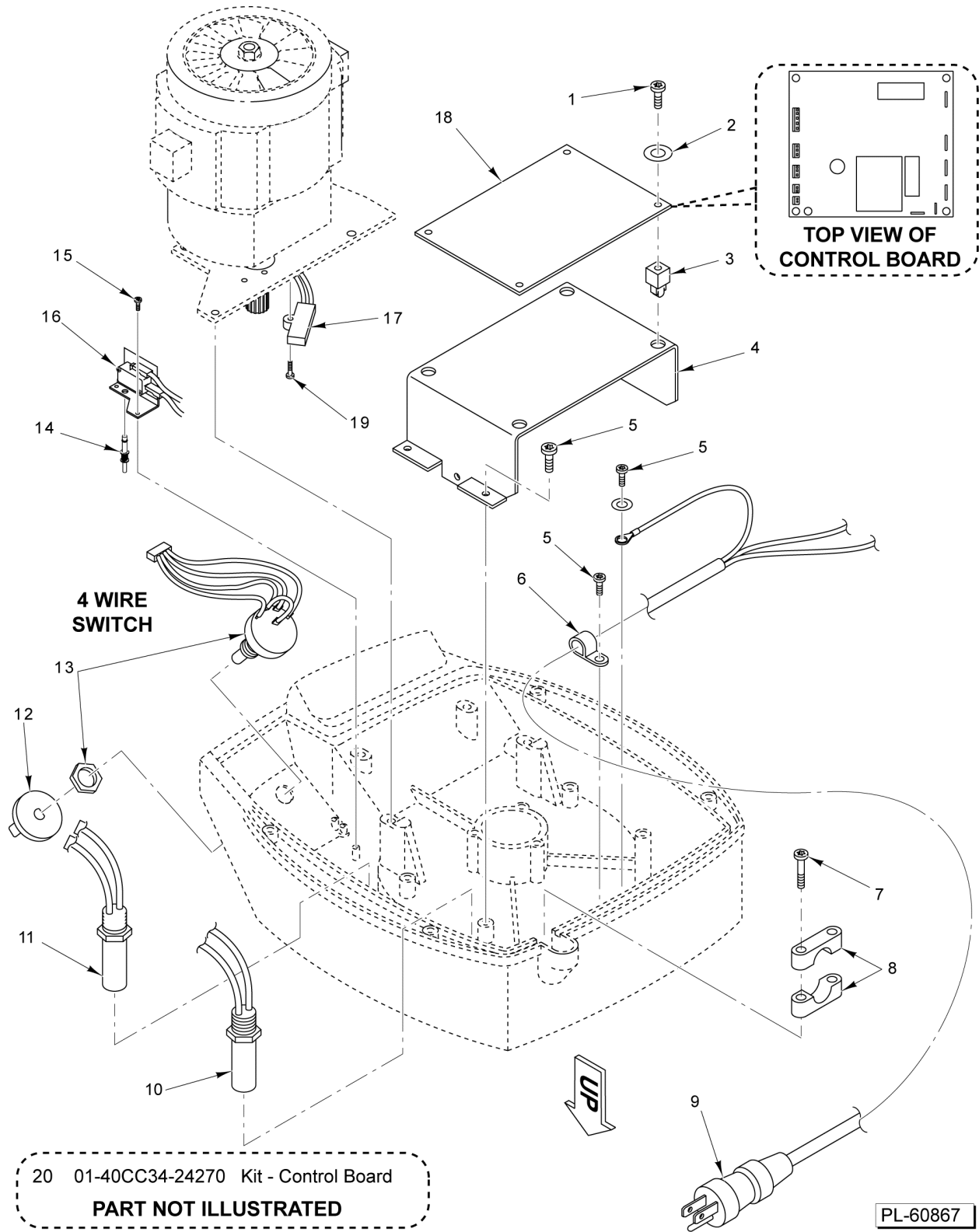
5 FEED HEAD AND HOUSING  
7 ELECTRICAL COMPONENTS (FINAL CONSTRUCTION)  
9 ELECTRICAL COMPONENTS (PREVIOUS CONSTRUCTION)  
11 MOTOR AND SHAFT ASSEMBLY  
13 ACCESSORIES (SHREDDER / GRATER / DICER / JULIENNE)  
15 ACCESSORIES (SLICER)



**FEED HEAD AND HOUSING**

**FEED HEAD AND HOUSING**

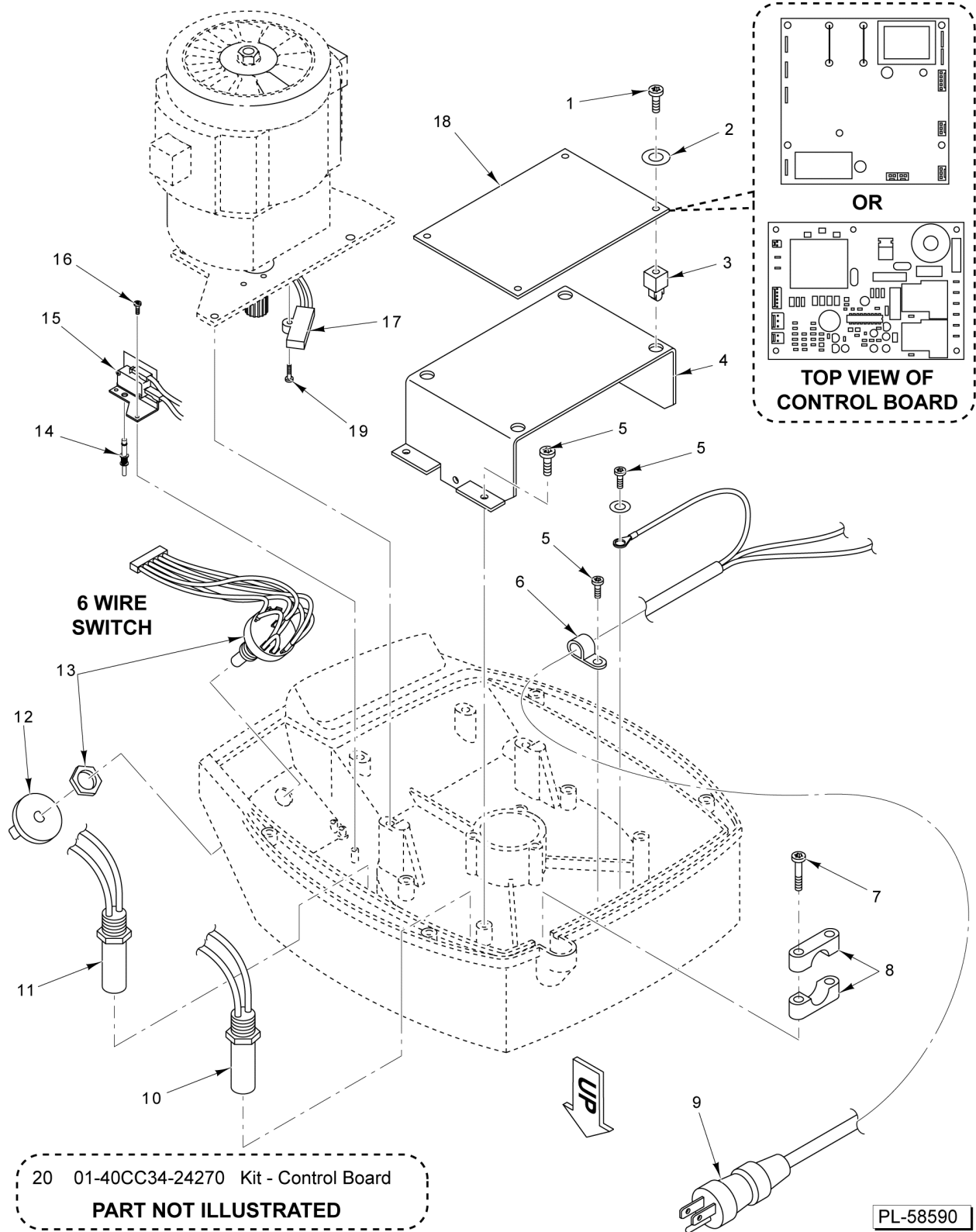
ILLUS.	PART NO.	NAME OF PART	AMT.
PL-58589			
1	01-40CC34-24309	Pusher.....	1
2	01-40CC34-24634	Feed Head Assy.....	1
3	00-274316	Ejector (Plate).....	1
4	01-40CC34-24244	Scraper Assy. (Incls. Items 5 thru 8).....	1
5	01-40CC34-24134	Handle - Scraper.....	1
6	01-40CC34-24133	Ring - Seal (5 In.).....	1
7	01-40CC34-24132	Blade - Scraper.....	3
8	01-40CC34-24135	Ring - Scraper.....	1
9	01-40CC34-24245	Lid Assy. (Incls. Item 6).....	1
10	01-40CC34-24153	Knife Head.....	1
11	01-40CC34-24151	Bowl.....	1
12	01-40CC34-24296	Ring - Seal (Fan).....	1
13	01-40CC34-24300	Screen.....	1
14	01-40CC34-24160	Housing - Base.....	1
15	00-439739	Foot.....	4
16	01-40CC34-14333	Screw M4 x 12.....	4
17	01-40CC34-14249	Screw M5 x 14.....	4
18	01-40CC34-24176	Baffle.....	1
19	01-40CC34-10681	Lockwasher.....	4



**ELECTRICAL COMPONENTS  
(FINAL CONSTRUCTION)**

**ELECTRICAL COMPONENTS  
(FINAL CONSTRUCTION)**

ILLUS. PL-60867	PART NO.	NAME OF PART	AMT.
1	01-40CC34-15851	Screw M4 x 10.....	4
2	01-40CC34-14072	Washer - Nylon.....	4
3	01-40CC34-10587	Standoff.....	4
4	01-40CC34-24268	Plate.....	1
5	01-40CC34-14852	Screw M5 x 10.....	6
6	01-40CC34-15422	Clamp.....	1
7	01-40CC34-14336	Screw M4 x 25.....	2
8	01-40CC34-10589	Clamp - Strain Relief.....	1
9	01-40CC34-24211	Cord - Power.....	1
10	01-40CC34-24332	Switch - Magnetic.....	1
11	01-40CC34-24333	Switch - Magnetic.....	1
12	01-40CC34-24152	Knob - Speed Control.....	1
13	01-40CC34-24319	Switch - Rotary (4 Wire) (After 1/1/2008, SN 1170119).....	1
14	01-40CC34-01413	Pin - Activator (Safety Switch).....	1
15	01-40CC34-14851	Screw M4 x 10.....	2
16	01-40CC34-24335	Microswitch Assy. (Incls. Lead Wires).....	1
17	01-40CC34-24277	Sensor - Speed.....	1
18	01-40CC34-24344	Board - Control (Machines built on or after 01/01/2011).....	1
19	01-40CC34-14613	Screw M2.9 x 16 (Ref Only).....	1
20	01-40CC34-24270	Kit - Control Board (Incls. Items 1 thru 4, 11, 12, 14, 17, & 19).....	1

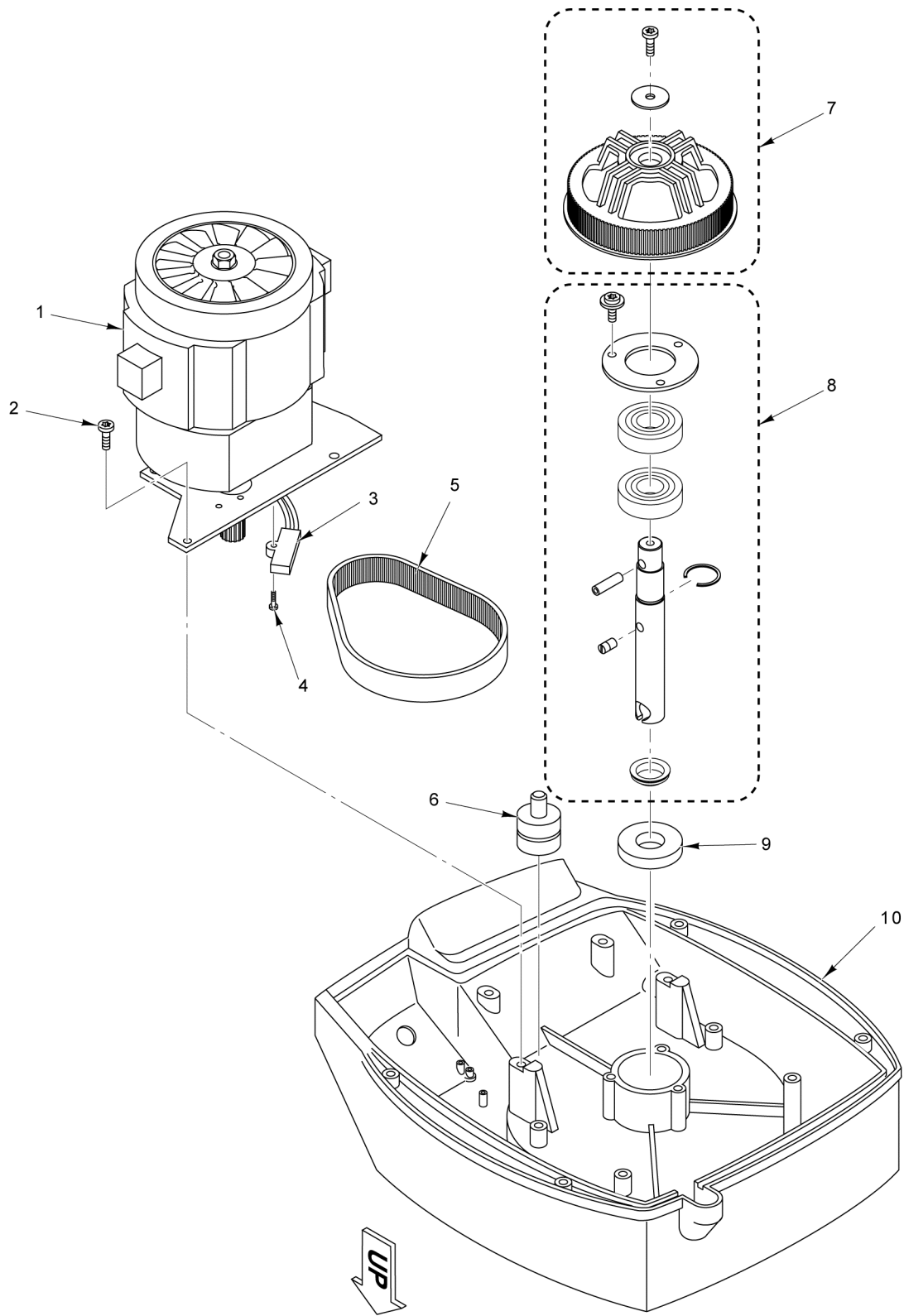


**ELECTRICAL COMPONENTS  
(PREVIOUS CONSTRUCTION)**



**ELECTRICAL COMPONENTS  
(PREVIOUS CONSTRUCTION)**

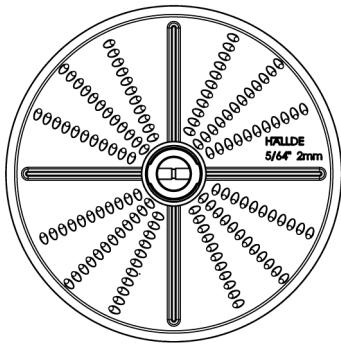
ILLUS. PL-58590	PART NO.	NAME OF PART	AMT.
1	01-40CC34-15851	Screw M4 x 10.....	4
2	01-40CC34-14072	Washer - Nylon.....	4
3	01-40CC34-10587	Standoff.....	4
4	01-40CC34-24268	Plate.....	1
5	01-40CC34-14852	Screw M5 x 10.....	4
6	01-40CC34-15422	Clamp.....	1
7	01-40CC34-14336	Screw M4 x 25.....	2
8	01-40CC34-10589	Clamp - Strain Relief.....	1
9	01-40CC34-24211	Cord - Power.....	1
10		Switch (Safety) (No Longer Available, Order Item 20).....	1
11		Switch (Speed Control) (No Longer Available, Order Item 20).....	1
12	01-40CC34-24152	Knob - Speed Control.....	1
13		Switch (6 Wire) (No Longer Available, Order Item 20).....	1
14	01-40CC34-01413	Pin - Activator (Safety Switch).....	1
15	01-40CC34-24335	Microswitch Assy. (Incls. Lead Wires).....	1
16	01-40CC34-14851	Screw M4 x 10.....	2
17	01-40CC34-24277	Sensor - Speed.....	1
18		Board - Control (No Longer Available, Order Item 20).....	1
19	01-40CC34-14613	Screw M2.9 x 16 (Ref Only).....	1
20	01-40CC34-24270	Kit - Control Board (Replaces Items 1 thru 4, 10, 11, 13, & 18).....	1



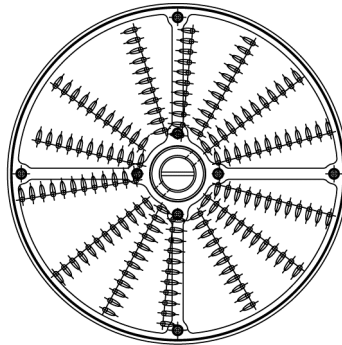
**MOTOR AND SHAFT ASSEMBLY**

**MOTOR AND SHAFT ASSEMBLY**

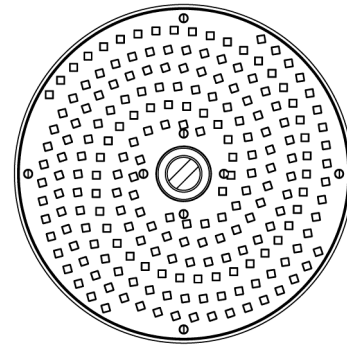
ILLUS.	PART NO.	NAME OF PART	AMT.
PL-58588			
1	01-40CC34-24129	Motor (120 V., 60 Hz., 1 Ph.).....	1
2	01-40CC34-14344	Screw M5 x 20.....	4
3	01-40CC34-24277	Sensor - Speed.....	1
4	01-40CC34-14613	Screw M2.9 x 16 (Ref Only).....	1
5	01-40CC34-10624	Belt.....	1
6	01-40CC34-24291	Tensioner - Belt.....	1
7	01-40CC34-01411	Pulley Assy. (Knife Shaft).....	1
8	01-40CC34-01410	Knife Shaft Assy.....	1
9	00-274333	Seal - Rubber Washer 18 x 30mm.....	1
10	01-40CC34-01412	Housing & Knife Shaft Assy. (Incls. Items 7 & 8).....	1



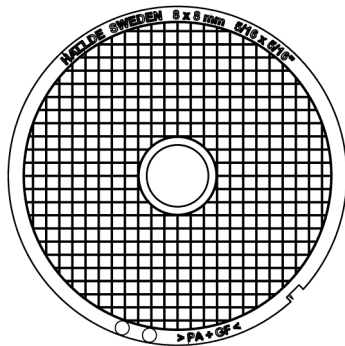
1-2-3



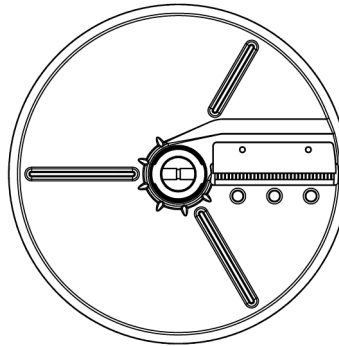
4-5-6-7-8-9-10-11  
12-13-14-15-16-17



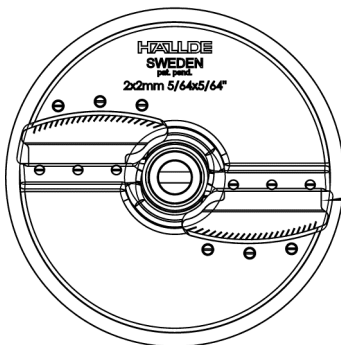
18-19-20-21



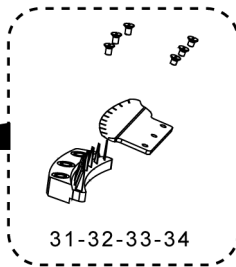
22-23-24  
25-26-27



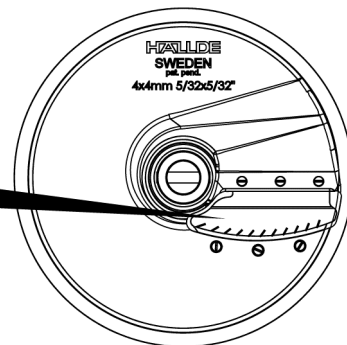
28-29



30



31-32-33-34



35-36-37

- 38 01-40CC34-01076 Rack - Wall
- 39 00-274329 Brush - Cleaning

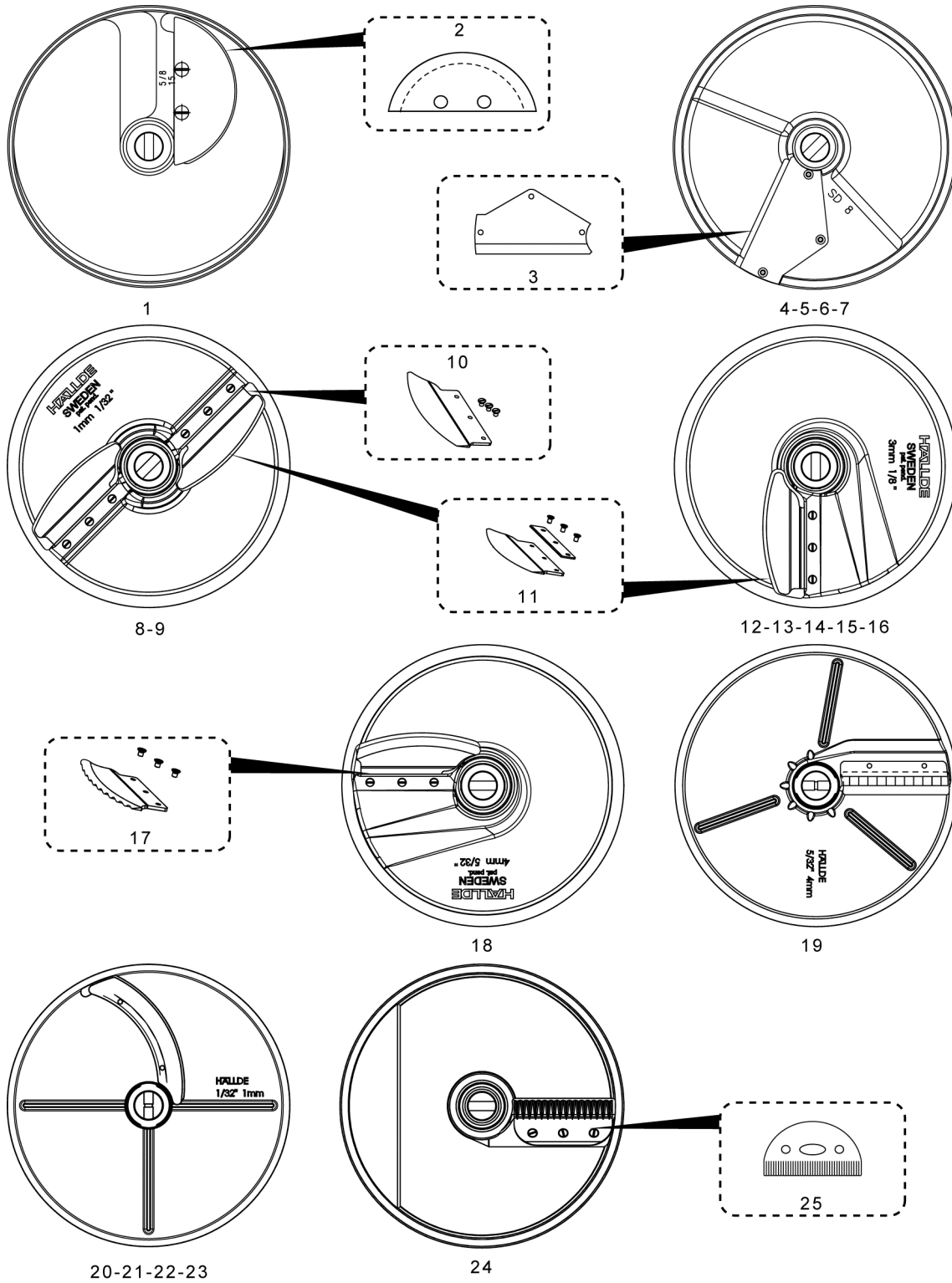
**PARTS NOT ILLUSTRATED**

PL-60898

**ACCESSORIES  
(SHREDDER / GRATER / DICER / JULIENNE)**

**ACCESSORIES  
(SHREDDER / GRATER / DICER / JULIENNE)**

ILLUS. PL-60898	PART NO.	NAME OF PART	AMT.
1	00-915767	Plate - Shredder 5/64 In. (2mm) (Non-Replaceable Plate).....	1
2	00-915768	Plate - Shredder 5/32 In. (4mm) (Non-Replaceable Plate).....	1
3	00-915769	Plate - Shredder 7/32 In. (6mm) (Non-Replaceable Plate).....	1
4	00-435724	Plate - Shredder 1/16 In. (1.5mm) (Replaceable Plate).....	1
5	00-915757	Plate - Shredder 5/64 In. (2mm) (Replaceable Plate).....	1
6	00-435726	Plate - Shredder 1/8 In. (3mm) (Replaceable Plate).....	1
7	00-435727	Plate - Shredder 3/16 In. (4.5mm) (Replaceable Plate).....	1
8	00-435728	Plate - Shredder 7/32 In. (6mm) (Replaceable Plate).....	1
9	00-435729	Plate - Shredder 5/16 In. (8mm) (Replaceable Plate).....	1
10	00-915756	Plate - Shredder 3/8 In. (10mm) (Replaceable Plate).....	1
11	00-435734	Insert - Shredder Plate 1/16 In. (1.5mm) (Use With Item 4).....	1
12	00-274320	Insert - Shredder Plate 5/64 In. (2mm) (Use With Item 5).....	1
13	00-274409	Insert - Shredder Plate 1/8 In. (3mm) (Use With Item 6).....	1
14	00-274343	Insert - Shredder Plate 3/16 In. (4.5mm) (Use With Item 7).....	1
15	00-435735	Insert - Shredder Plate 7/32 In. (6mm) (Use With Item 8).....	1
16	00-274410	Insert - Shredder Plate 5/16 In. (8mm) (Use With Item 9).....	1
17	00-875322	Insert - Shredder Plate 3/8 In. (10mm) (Use With Item 10).....	1
18	00-435730	Plate - Fine Grater (Replaceable Plate).....	1
19	00-915524	Plate - Hard Cheese Grater (SST) (Replaceable Plate).....	1
20	00-274411	Insert - Fine Grater Plate (Use With Item 18).....	1
21	00-915686	Insert - Grater Hard Cheese (SST) (Use With Item 19).....	1
22	00-915703	Plate - Dicer 5/16 In. (8mm) (Non-Replaceable Blades).....	1
23	00-915697	Plate - Dicer 3/8 In. (10mm) (Non-Replaceable Blades).....	1
24	00-915706	Plate - Dicer 1/2 In. (12mm) Low (Non-Replaceable Blades).....	1
25	00-915758	Plate - Dicer 1/2 In. (12mm) (Non-Replaceable Blades).....	1
26	00-915705	Plate - Dicer 5/8 In. (16mm) (Non-Replaceable Blades).....	1
27	00-915707	Plate - Dicer 5/8 In. (16mm) Low (Non-Replaceable Blades).....	1
28	00-915765	Plate - Julienne 5/64 In. (2mm) (Non-Replaceable Blades).....	1
29	00-915766	Plate - Julienne 5/32 In. (4mm) (Non-Replaceable Blades).....	1
30	00-915527	Plate - Julienne 5/64 In. (2mm) (SST) (Replaceable Blades).....	1
31	00-915633	Kit - Julienne 2 x 2mm Replacement Blades (SST) (Use With Item 30).....	2
32	00-915634	Kit - Julienne 4 x 4mm Replacement Blades (SST) (Use With Item 35).....	1
33	00-915635	Kit - Julienne 8 x 8mm Replacement Blades (SST) (Use With Item 36).....	1
34	00-915737	Kit - Julienne 10 x 10mm Replacement Blades (SST) (Use With Item 37).....	1
35	00-915526	Plate - Julienne 5/32 In. (4mm) (SST) (Replaceable Blade).....	1
36	00-915525	Plate - Julienne 5/16 In. (8mm) (1 Knife) (Replaceable Blade).....	1
37	01-40CC34-63154	Plate - Julienne 3/8 In. (10mm) (1 Knife) (Replaceable Blade).....	1
38	00-914839	Rack - Wall.....	AR
39	00-274329	Brush (Cleaning).....	AR



PL-60899

**ACCESSORIES (SLICER)**

**ACCESSORIES (SLICER)**

ILLUS. PL-60899	PART NO.	NAME OF PART	AMT.
1	00-915724	Plate - Slicing 5/8 In. (15mm) (Alum.) (Replaceable Blade).....	1
2	00-274318	Knife - Fine Cut Slicer (Use With Item 1).....	1
3	00-914406	Knife (Soft Dice) (Use With Items 4 thru 7).....	1
4	00-914394	Plate - Slicer 5/16 In. (8mm) Soft Slice (Replaceable Blade).....	1
5	00-914395	Plate - Slicer 3/8 In. (10mm) Soft Slice (Replaceable Blade).....	1
6	00-914396	Plate - Slicer 1/2 In. (12mm) Soft Slice (Replaceable Blade).....	1
7	00-914397	Plate - Slicer 5/8 In. (15mm) Soft Slice (Replaceable Blade).....	1
8	00-915752	Plate - Slicer 1/32 In. (1mm) (2 Knife) (Replaceable Blades).....	1
9	00-915530	Plate - Fine Cut Slicer 1/16 In. (1.5mm) (2 Knife) (Replaceable Blades).....	1
10	00-915753	Kit - Knife Slicer 0.5-1mm (Use With Item 8).....	1
11	00-915631	Kit - Slicer 1.5 x 10mm Replacement Blade (SST) (Use With Items 9 thru 16).....	1
12	00-915754	Plate - Slicer 1/8 In. (3mm) (1 Knife) (Replaceable Blade).....	1
13	00-915532	Plate - Fine Cut Slicer 5/32 In. (4mm) (1 Knife) (Replaceable Blade).....	1
14	00-915533	Plate - Fine Cut Slicer 7/32 In. (6mm) (1 Knife) (Replaceable Blade).....	1
15	00-915755	Plate - Slicing 5/16 In. (8mm) (1 Knife) (Replaceable Blade).....	1
16	00-915531	Plate - Fine Cut Slicer 3/8 In. (10mm) (1 Knife) (Replaceable Blade).....	1
17	00-915632	Kit - Crimping Slicer (Use With Item 18).....	1
18	00-915534	Plate - Crimping Slicer 5/32 In. (4mm) (SST) (Replaceable Blade).....	1
19	00-915764	Plate - Crimping Slicer 5/64 In. (4mm) (Non-Replaceable Blade).....	1
20	00-915760	Plate - Slicing 1/32 In. (1mm) (Non-Replaceable Blade).....	1
21	00-915761	Plate - Slicing 5/64 In. (2mm) (Non-Replaceable Blade).....	1
22	00-915762	Plate - Slicing 5/32 In. (4mm) (Non-Replaceable Blade).....	1
23	00-915763	Plate - Slicing 7/32 In. (6mm) (Non-Replaceable Blade).....	1
24	00-915770	Plate - Crimping 5/16 In. (8mm) (Deep Groove) (Replaceable Blade).....	1
25	01-40CC34-82622	Knife (Use With Item 24) (Hooter's Pickle Crimper).....	1

