



CATALOG OF REPLACEMENT PARTS

FMS20 MIXER

ML-141018
ML-141040
ML-141057

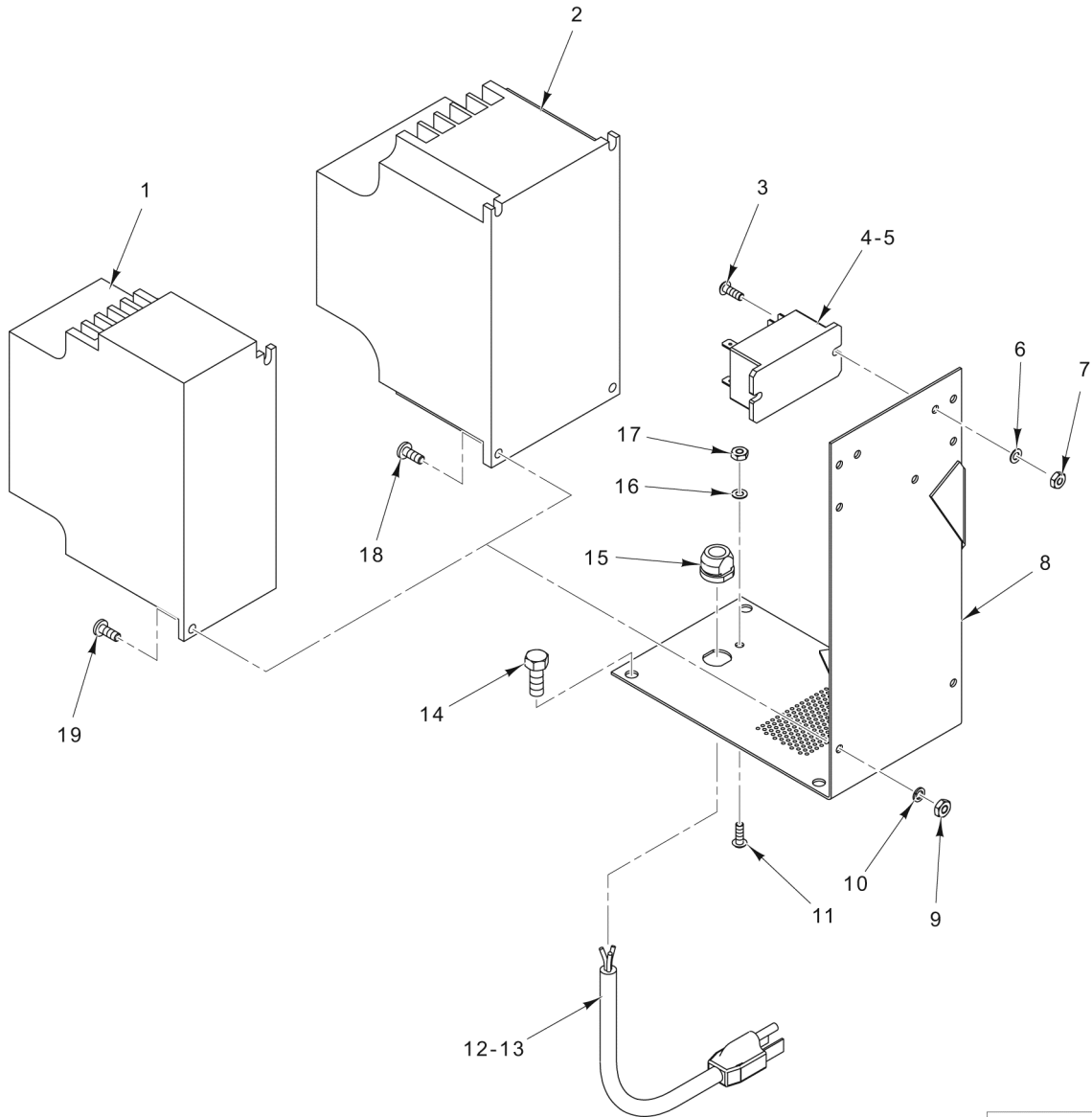


Table of Contents

5	CONTROL PANEL
7	ELECTRICAL COMPONENTS
9	ATTACHMENT HUB
11	BASE AND PEDESTAL
13	BOWL SUPPORT
15	TRANSMISSION CASE AND MOTOR
17	TRANSMISSION
19	BOWL GUARD
21	AGITATORS AND ACCESSORIES
23	WIRING HARNESES

CONTROL PANEL

ILLUS.	PART NO.	NAME OF PART	AMT.
PL-59211			
1	00-937225	Switch - Speed Selector Assy.....	1
2	00-916988-00007	Timer Assy.....	1
3	00-937245	Spacer - Timer (Mylar).....	4
4	00-937131	Plate - Operator Panel.....	1
5	00-937152	Overlay.....	1
6	SC-128-18	Mach. Screw M3 x 0.5 x 6mm Phil. Flat Hd.....	2
7	00-917141	Knob - Control.....	2
8	00-917447	Switch - Start.....	1
9	00-917446	Guard - Switch.....	1
10	00-917448	Switch Assy. - Stop.....	1
11	00-937311-00002	Screw M4 x 12mm Slotted Bndg. Hd.....	6

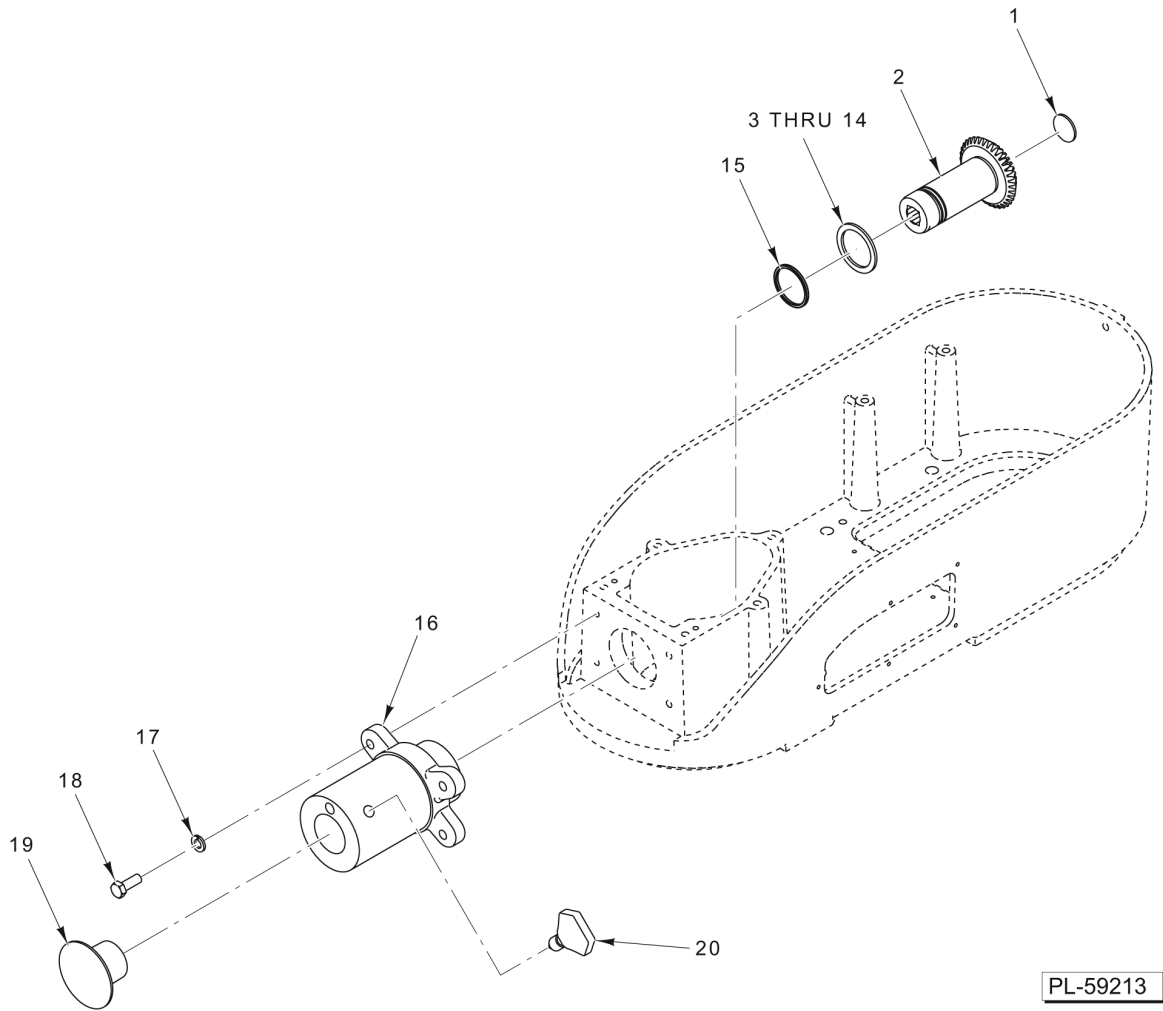


PL-59212

ELECTRICAL COMPONENTS

ELECTRICAL COMPONENTS

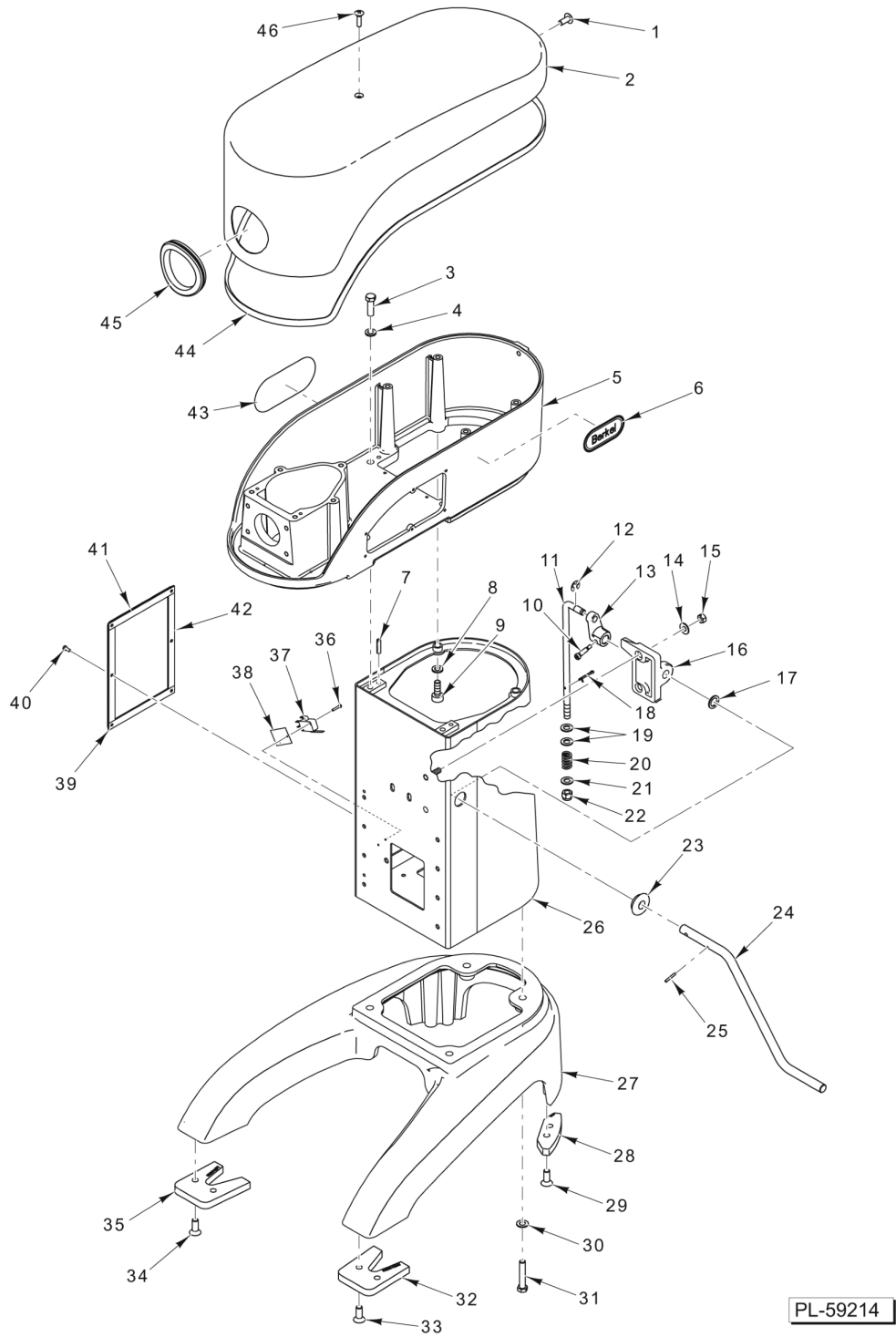
ILLUS. PL-59212	PART NO.	NAME OF PART	AMT.
1	00-937124-00002	Controller (Delta) (240 V.) (ML-141018).....	1
2	00-937124-00001	Controller (Delta) (115 V.) (ML-141040 & ML-141057).....	1
3	SC-021-15	Mach. Screw 8-32 x 1/2 Slotted Rd. Hd. (SST).....	2
4	00-087714-042-1	Relay (2-Pole) (120 VAC) (30 Amp.) (ML-141040 & ML-141057).....	1
5	00-087714-042-3	Relay (2-Pole) (240 VAC) (ML-141018).....	1
6	WL-013-08	Lockwasher #8 Internal Shakeproof.....	2
7	NS-009-12	Nut 8-32 Hex.....	2
8	00-937151	Plate & Brace - Controller.....	1
9	00-937291-00003	Nut M5 Hex.....	AR
10	00-937292-00003	Lockwasher M5.....	AR
11	SC-021-15	Mach. Screw 8-32 x 1/2 Slotted Rd. Hd. (SST).....	1
12	00-916909-00019	Cord & Plug Strain Relief (120 V.) (Incls. Item 15) (ML-141040 & ML-141057).....	1
13	00-916909-00020	Cord & Plug Strain Relief (240 V.) (Incls. Item 15) (ML-141018).....	1
14	00-937288-00001	Screw M6 x 1.0 x 12mm Hex Hd.....	3
15	FE-017-41	Relief - Strain (Electrical).....	1
16	WL-013-08	Lockwasher #8 Internal Shakeproof.....	1
17	NS-009-12	Nut 8-32 Hex.....	1
18	00-937289-00001	Screw M5 x 0.8 x 12mm Phil. Pan Hd.....	4
19	00-937289-00001	Screw M5 x 0.8 x 12mm Phil. Pan Hd.....	2



ATTACHMENT HUB

ATTACHMENT HUB

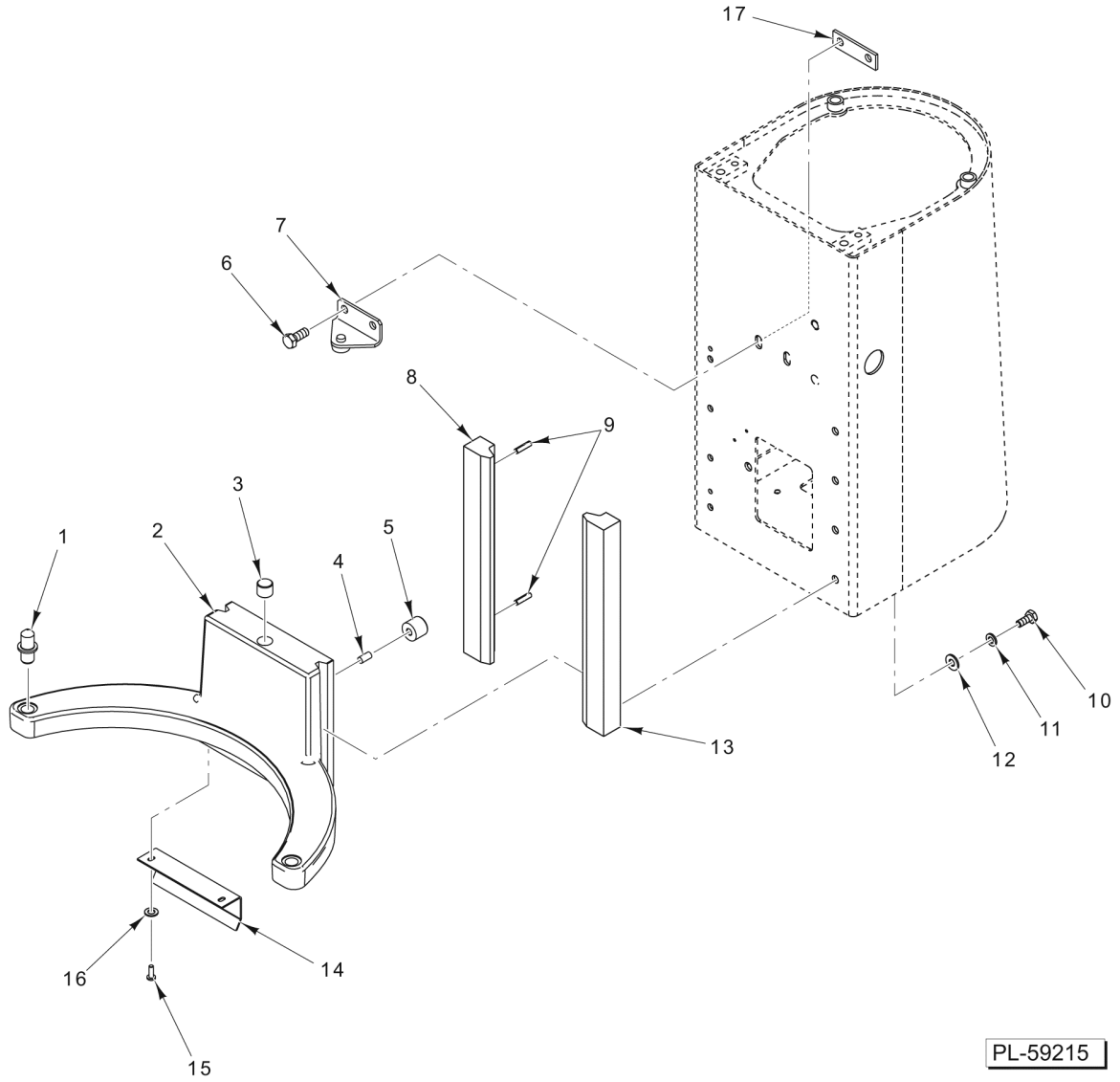
ILLUS. PL-59213	PART NO.	NAME OF PART	AMT.
1	PL-003-17	Plug - Expansion.....	1
2	00-917174	Gear - Drive Attachment (Incls. Item 1).....	1
3	00-061920-00001	Washer - Thrust (0.076 Thk.).....	AR
4	00-061920-00002	Washer - Thrust (0.079 Thk.).....	AR
5	00-061920-00003	Washer - Thrust (0.082 Thk.).....	AR
6	00-061920-00004	Washer - Thrust (0.085 Thk.).....	AR
7	00-061920-00005	Washer - Thrust (0.088 Thk.).....	AR
8	00-061920-00006	Washer - Thrust (0.091 Thk.).....	AR
9	00-061920-00007	Washer - Thrust (0.094 Thk.).....	AR
10	00-061920-00008	Washer - Thrust (0.097 Thk.).....	AR
11	00-061920-00009	Washer - Thrust (0.100 Thk.).....	AR
12	00-061920-00010	Washer - Thrust (0.103 Thk.).....	AR
13	00-061920-00011	Washer - Thrust (0.106 Thk.).....	AR
14	00-061920-00012	Washer - Thrust (0.070 Thk.).....	AR
15	OR-001-03	O-Ring - Quad.....	1
16	00-917066-00003	Hub - Attachment.....	1
17	00-937292-00005	Lockwasher M8.....	4
18	00-937288-00002	Cap Screw M8 x 25mm Hex Hd.....	4
19	00-917322	Plug - Attachment (Black).....	1
20	00-108197-00001	Thumb Screw 1-1/4.....	1



BASE AND PEDESTAL

BASE AND PEDESTAL

ILLUS. PL-59214	PART NO.	NAME OF PART	AMT.
1	00-937310-00005	Screw M8 x 16mm Slotted Truss Hd.....	1
2	00-917118-00003	Cover - Top.....	1
3	00-937288-00004	Screw M10 x 30mm Hex Hd.....	2
4	00-937292-00006	Lockwasher M10.....	2
5	00-937141-00003	Transmission.....	1
6	00-937340	Logo - Berkel (Small).....	1
7	00-937293-00001	Pin - Roll.....	2
8	00-937292-00006	Lockwasher M10.....	2
9	00-937297-00004	Cap Screw M10 x 1.5 x 25mm Hex Socket Hd.....	2
10	SC-086-01	Shoulder Screw 10-24 x 3/4 Socket Hex Hd.....	1
11	00-937265	Rod - Bowl Lift.....	1
12	RR-012-42	Retaining Ring.....	2
13	00-917089-00003	Arm - Bowl Lift.....	1
14	00-937292-00005	Lockwasher M8.....	2
15	00-937291-00006	Nut M8 Hex.....	2
16	00-917082-00003	Bearing - Bowl Lift.....	1
17	00-937292-00019	Washer.....	1
18	00-937293-00031	Pin - Cotter M3.....	1
19	00-937292-00014	Washer #8.....	2
20	00-012782	Spring.....	1
21	00-937292-00014	Washer #8.....	1
22	00-937291-00010	Lock Nut M8 Hex.....	1
23	00-439586	Grommet.....	1
24	00-937266	Handle - Bowl Lift.....	1
25	00-937293-00001	Pin - Roll.....	1
26	00-917873	Pedestal - Weldment.....	1
27	00-937144-00003	Base.....	1
28	00-917166	Pad - Rear.....	2
29	00-937290-00001	Screw M10 x 25mm Flange Hd.....	4
30	00-937292-00016	Washer #10.....	4
31	00-937288-00004	Screw M10 x 30mm Hex Hd.....	4
32	00-917165-00002	Pad - Front (RH).....	1
33	00-937290-00001	Screw M10 x 25mm Flange Hd.....	2
34	00-937290-00001	Screw M10 x 25mm Flange Hd.....	2
35	00-917165-00001	Pad - Front (LH).....	1
36	SC-060-40	Mach. Screw 4-40 x 5/8 Slotted Rd. Hd.....	2
37	00-916902-00007	Switch - Snap-Action.....	1
38	00-439892	Insulator - Switch.....	1
39	00-937139-00002	Cover (Incls. Items 41 & 42).....	1
40	00-937311-00002	Screw M4 x 12mm Slotted Bndg. Hd.....	6
41	00-917986-00003	Seal - Side Cover.....	2
42	00-917986-00004	Seal - Side Cover.....	2
43	00-917341	Logo - Berkel (Large).....	1
44	00-874925-00007	Seal - Neoprene.....	1
45	00-917128	Grommet - Attachment Hub.....	1
46	00-937298-00004	Cap Screw M10 x 25mm Countersunk Hd.....	1

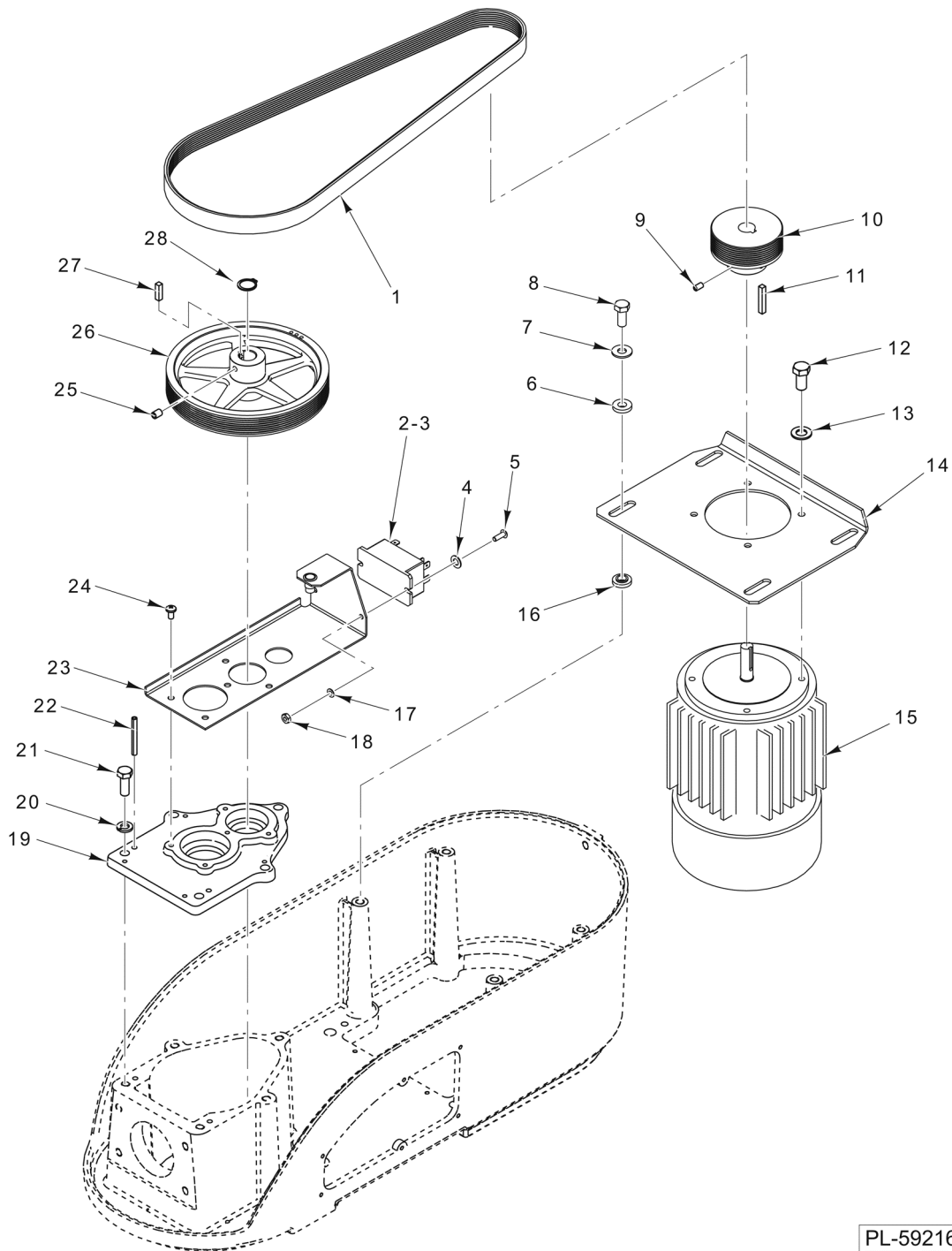


PL-59215

BOWL SUPPORT

BOWL SUPPORT

ILLUS.	PART NO.	NAME OF PART	AMT.
PL-59215			
1	00-937076	Pin - Bowl Mounting.....	2
2	00-917872-00002	Support - Bowl (Incls. Items 1 & 3).....	1
3	00-917865	Isolator (Lower Bowl Stop).....	1
4	00-917185	Magnet.....	1
5	00-917186	Holder - Magnet.....	1
6	00-937288-00003	Screw M8 x 1.25 x 20mm Hex Hd.....	2
7	00-917863	Plate & Isolator (Bowl Lift).....	1
8	00-937079-00001	Slideway (LH).....	1
9	00-937293-00002	Pin 5 x 0.5 x 20 Spring.....	2
10	00-937288-00001	Screw M6 x 1.0 x 12mm Hex Hd.....	8
11	00-937292-00004	Lockwasher M6 Spring.....	8
12	00-937292-00013	Washer.....	8
13	00-937079-00002	Slideway (RH).....	1
14	00-937089	Apron - Lower.....	1
15	00-937289-00002	Screw M4 x 0.7 x 12mm Phil. Pan Hd.....	2
16	00-937292-00011	Washer M4.....	2
17	00-917654	Retainer.....	1

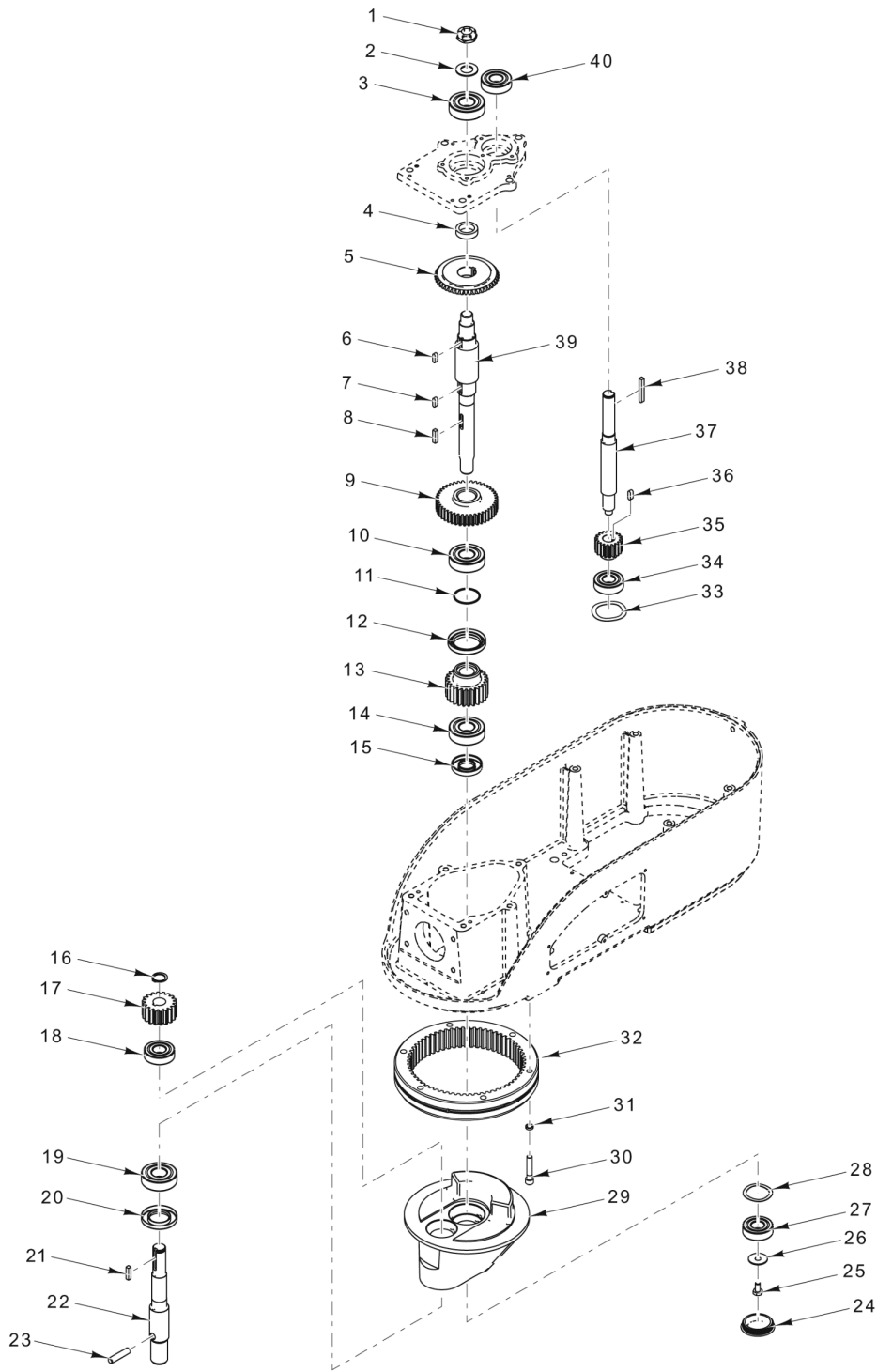


PL-59216

TRANSMISSION CASE AND MOTOR

TRANSMISSION CASE AND MOTOR

ILLUS.	PART NO.	NAME OF PART	AMT.
1	00-917502-00002	Belt - V Ribbed.....	1
2	00-087714-042-1	Relay (2-Pole) (120 VAC) (30 Amp.) (ML-141040 & ML-141057).....	1
3	00-087714-042-3	Relay (2-Pole) (240 VAC) (ML-141018).....	1
4	00-937292-00011	Washer M4.....	2
5	00-937289-00002	Screw M4 x 0.7 x 12mm Phil. Pan Hd.....	2
6	00-917410	Isolator.....	4
7	00-937292-00015	Washer M8.....	4
8	00-937288-00005	Screw M8 x 30mm Hex Hd.....	4
9	00-937294-00002	Set Screw M5 x 0.8 x 8mm Cup Pt.....	2
10	00-937128	Pulley - Driver.....	1
11	00-917496-00018	Key 6mm x 6mm x 25mm.....	1
12	00-937288-00001	Screw M6 x 1.0 x 12mm Hex Hd.....	4
13	00-937292-00004	Lockwasher M6 Spring.....	4
14	00-937140	Plate - Motor Mounting.....	1
15	00-937161	Motor Assy.....	1
16	00-917410	Isolator.....	4
17	00-937292-00002	Lockwasher M4 Spring.....	2
18	00-937291-00002	Nut M4 Hex.....	2
19	00-917083-00003	Cover - Transmission Case.....	1
20	00-937292-00005	Lockwasher M8.....	5
21	00-937288-00003	Screw M8 x 1.25 x 20mm Hex Hd.....	5
22	00-937293-00002	Pin 5 x 0.5 x 20 Spring.....	2
23	00-937286	Retainer - Top Bearing.....	1
24	00-937289-00003	Screw M5 x 0.8 x 10mm Phil. Pan Hd.....	5
25	SC-047-12	Set Screw 1/4-20 x 3/8 Soc. Hdls., Knife Cup Pt.....	2
26	00-917370	Pulley - Driven.....	1
27	00-917496-00012	Key 5mm x 5mm x 40mm.....	1
28	RR-012-14	Retaining Ring.....	1

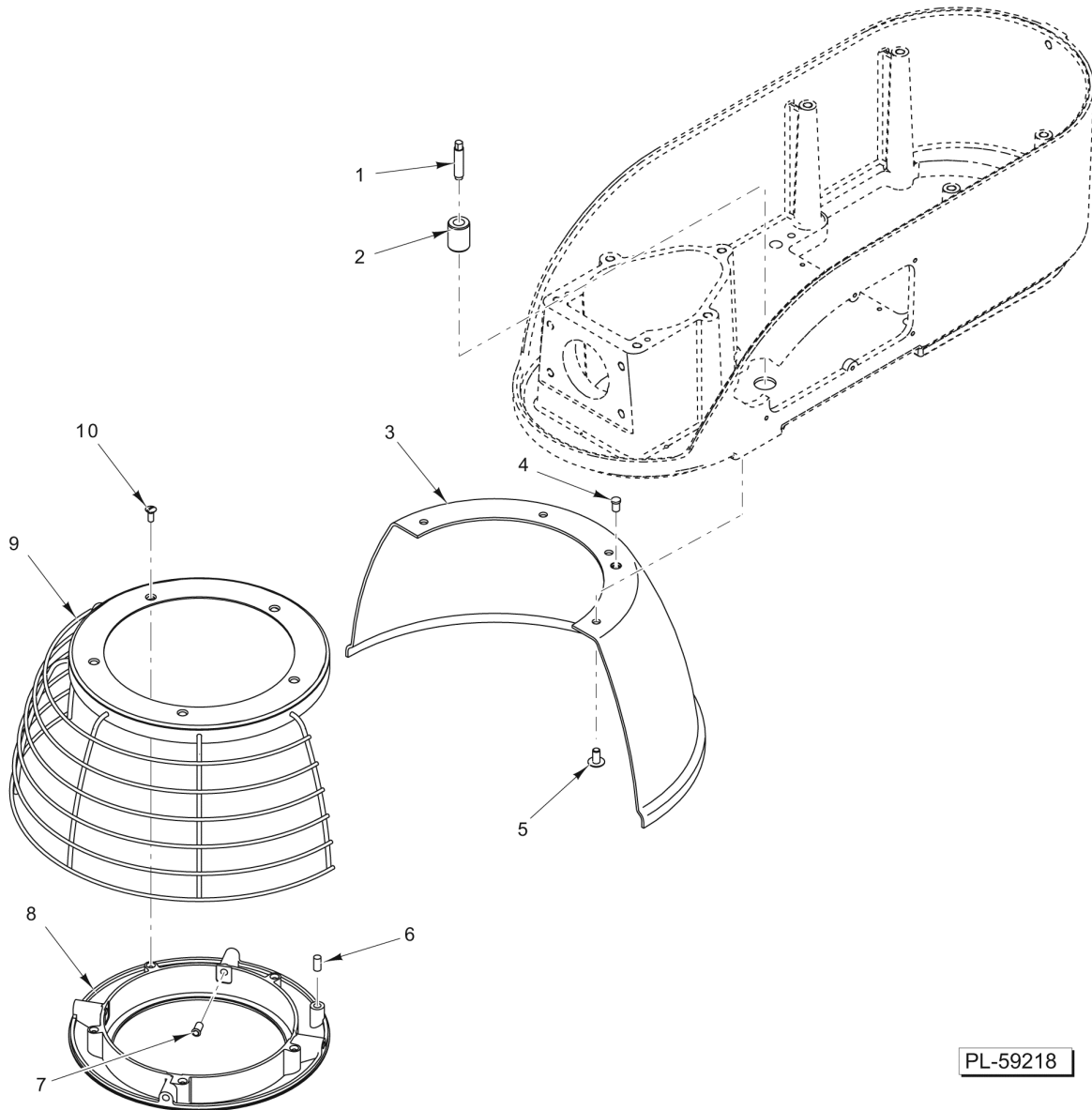


PL-59217

TRANSMISSION

TRANSMISSION

ILLUS. PL-59217	PART NO.	NAME OF PART	AMT.
1	00-937291-00008	Lock Nut.....	1
2	00-937292-00020	Washer.....	1
3	BB-005-34	Bearing - Ball.....	1
4	00-874793	Spacer - Planetary.....	1
5	00-937257	Gear - Bevel (46T).....	1
6	00-917496-00022	Key 5mm x 5mm x 12mm.....	1
7	00-917496-00019	Key 5mm x 5mm x 18mm.....	1
8	00-917496-00013	Key 5mm x 5mm x 22mm.....	1
9	00-937263	Gear (43T).....	1
10	BB-005-34	Bearing - Ball.....	1
11	00-067500-00009	O-Ring.....	1
12	00-917123	Seal - Center Shaft.....	1
13	00-937262	Gear - Sun.....	1
14	BB-005-34	Bearing - Ball.....	1
15	00-439588	Seal - Transmission Case.....	1
16	RR-012-45	Ring - Retaining.....	1
17	00-937259	Gear - Planetary.....	1
18	BB-020-18	Bearing - Ball.....	1
19	BB-005-34	Bearing - Ball.....	1
20	00-023482	Seal - Oil (1" I.D.).....	1
21	00-917496-00021	Key 5mm x 5mm x 20mm.....	1
22	00-937258	Shaft - Agitator.....	1
23	00-065062-00001	Pin - Dowel.....	1
24	00-439632	Plug Planetary.....	1
25	00-937288-00006	Screw M8 x 14mm Hex Hd.....	1
26	00-937292-00026	Washer M8.....	1
27	BB-020-18	Bearing - Ball.....	1
28	SL-005-12	Spring - Loaded.....	1
29	00-439552-00003	Planetary.....	1
30	00-937297-00001	Cap Screw M6 x 1.0 x 30mm Hex Socket Hd.....	6
31	00-937292-00007	Lockwasher M6 Spring.....	6
32	00-917086-00002	Gear - Internal (63T).....	1
33	SL-005-19	Spring - Loading.....	1
34	BB-005-01	Bearing - Ball.....	1
35	00-937260	Gear - Input Shaft.....	1
36	00-917496-00020	Key 3mm x 3mm x 20mm.....	1
37	00-937264	Shaft - Input.....	1
38	00-917496-00021	Key 5mm x 5mm x 20mm.....	1
39	00-937261	Shaft - Center.....	1
40	BB-005-23	Bearing - Ball.....	1
	00-937304	Center Shaft Assy. (Incls. Items 7, 9, 10, & 39).....	1
	00-937303	Input Shaft & Pinion (Incls. Items 34 thru 37).....	1

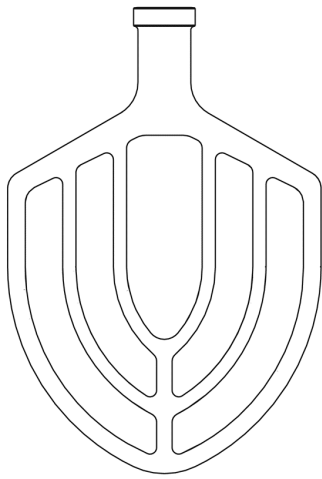


PL-59218

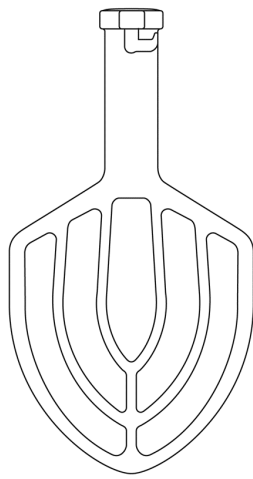
BOWL GUARD

BOWL GUARD

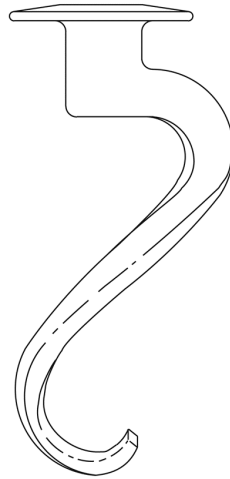
ILLUS.	PART NO.	NAME OF PART	AMT.
PL-59218			
1	00-916902-00003	Switch - Reed.....	1
2	00-917184	Holder - Reed Switch.....	1
3	00-917155	Guard - Rear Splash.....	1
4	00-917281	Pin - Magnet Bridge.....	1
5	00-937310-00004	Screw M6 x 12mm Slotted Truss Hd.....	4
6	00-917185	Magnet.....	1
7	00-937391	Plunger - Ball.....	4
8	00-937309	Drip Ring Assy. (Incls. Items 6 & 7).....	1
9	00-917151	Cage.....	1
10	00-937298-00001	Screw M5 x 12mm Countersunk Hd.....	5
	00-937308-00001	Wire Cage Assy. (Incls. Items 6 thru 10).....	1



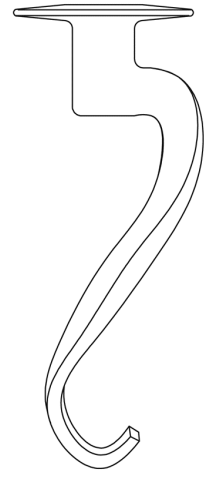
1



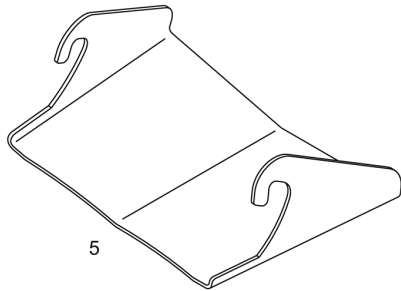
2



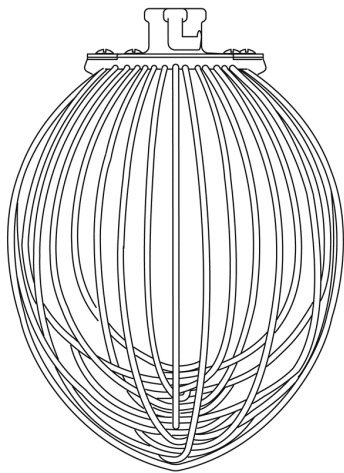
3



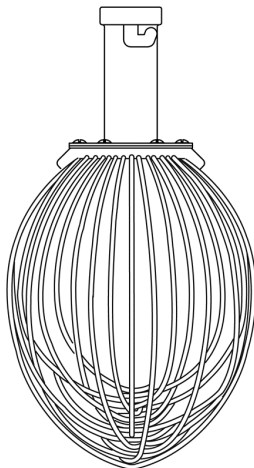
4



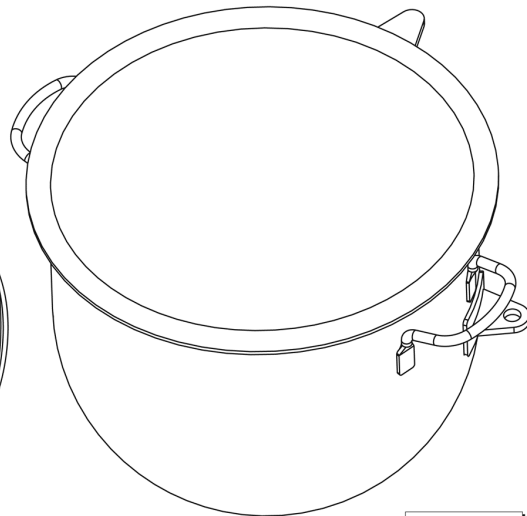
5



6



7



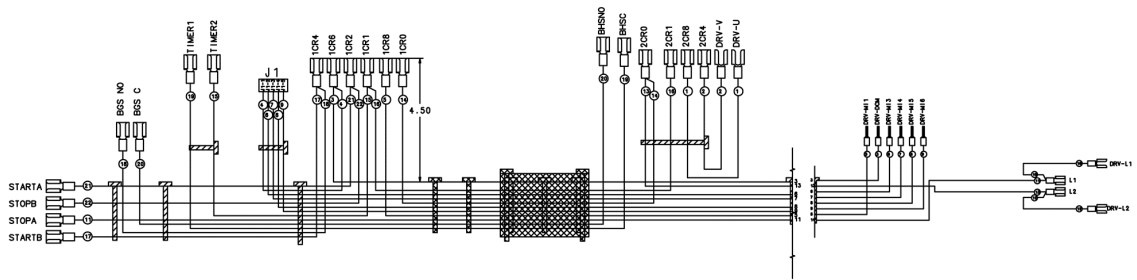
8-9

PL-59219

AGITATORS AND ACCESSORIES

AGITATORS AND ACCESSORIES

ILLUS.	PART NO.	NAME OF PART	AMT.
PL-59219			
1	00-023126-00003	"B" Beater (20 Qt.).....	1
2	00-023502-00002	"B" Beater (12 Qt.).....	1
3	00-477561-00002	"ED" Hook - Dough Arm (20 Qt.).....	1
4	00-917323	"ED" Hook - Dough Arm (12 Qt.) (Packaged).....	1
5	00-917320	Chute - Ingredient (20 Qt.).....	1
6	00-275897-00004	"D" Wire Whip (20 Qt.).....	1
7	00-295027-00005	"D" Wire Whip (12 Qt.) (Packaged).....	1
8	00-917854	Bowl (20 Qt.).....	1
9	00-937198	Bowl (12 Qt.).....	1
	00-917788	Guard - Splash (20 Qt.) (Packaged).....	1
	00-937385	Bowl Assy. (Packaged 12 Qt., 2 Pt.).....	1
	00-937386	Kit - Bowl Reduction (12 Qt., 2 Pt.) (Incls. Bowl, Beater, Hook, & Whip).....	1
	00-917744	Bowl Assy. (Packaged, 20 Qt., 2 Pt.).....	1



00-937154 Harness - Main Wiring (120 V. & 240 V.)

PL-59220

WIRING HARNESSSES

WIRING HARNESES

ILLUS.	PART NO.	NAME OF PART	AMT.
1	00-937154	Harness - Main Wiring (120 V. & 240 V.).....	1

