



CATALOG OF REPLACEMENT PARTS

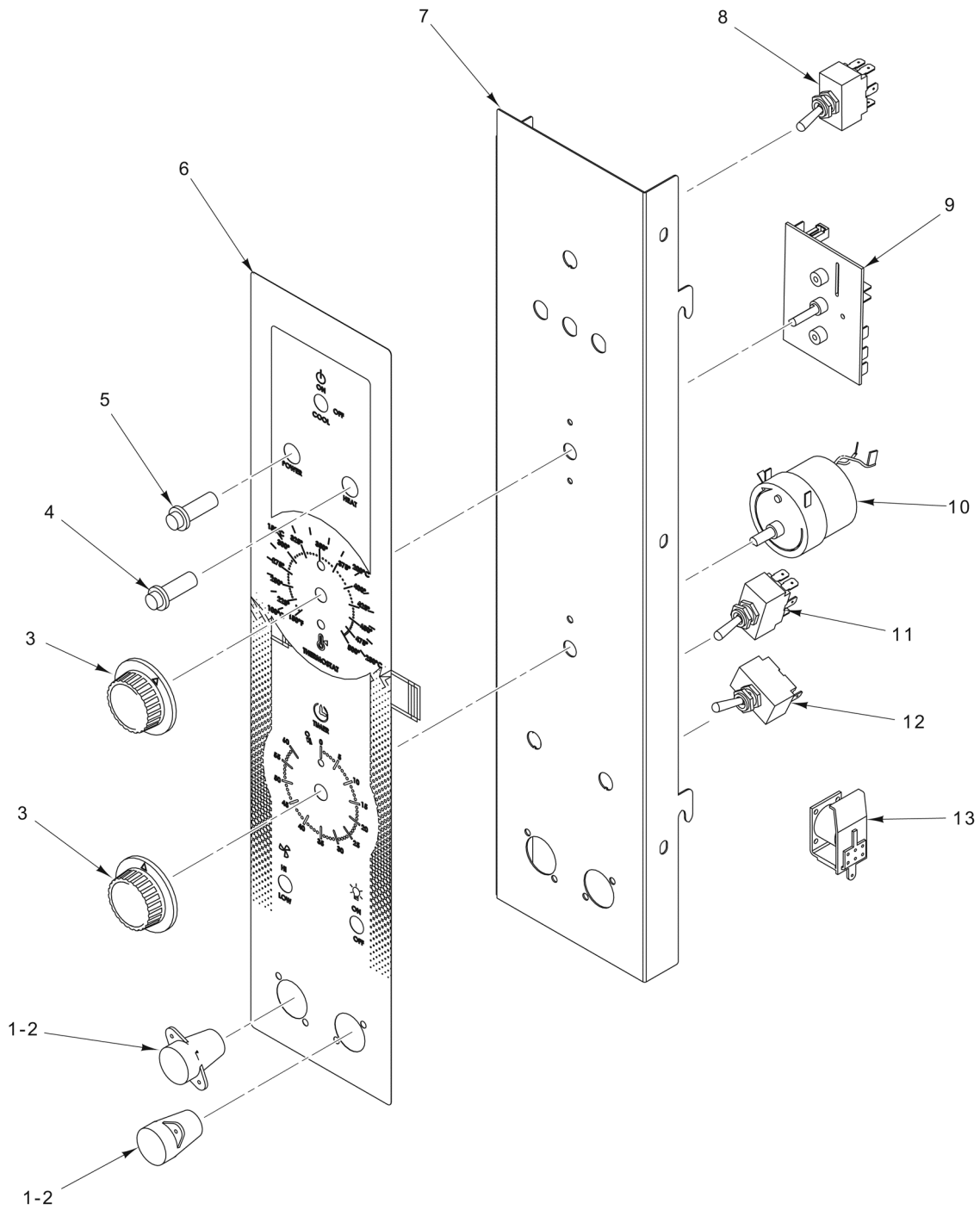
VC3ED CONVECTION OVEN

ML-137013



Table of Contents

5	CONTROL PANEL
7	ELECTRICAL COMPONENTS AND HEATING ELEMENT
9	CONVECTION MOTOR
11	DOOR ASSEMBLY
13	PANELS

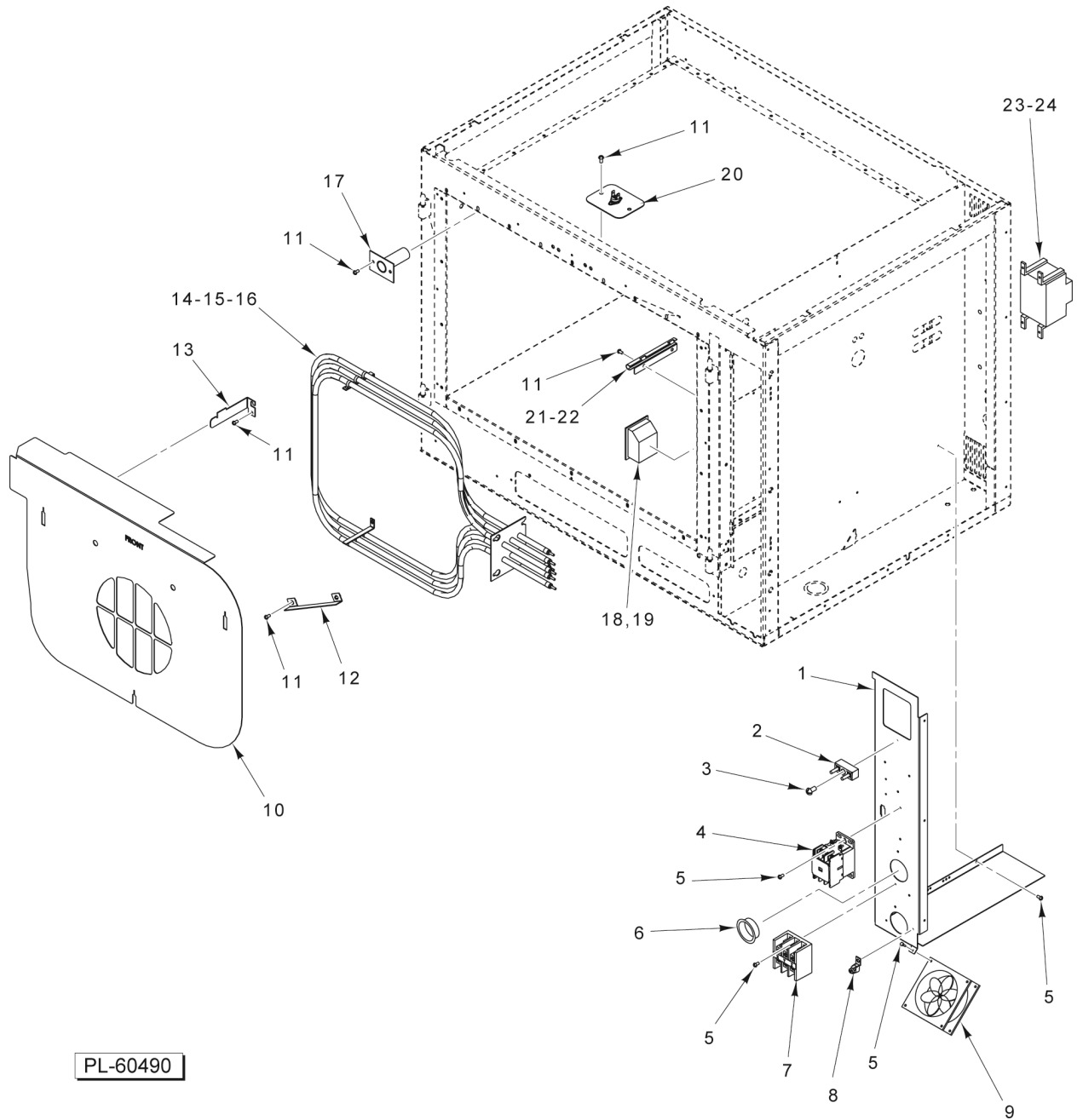


PL-60489

CONTROL PANEL

CONTROL PANEL

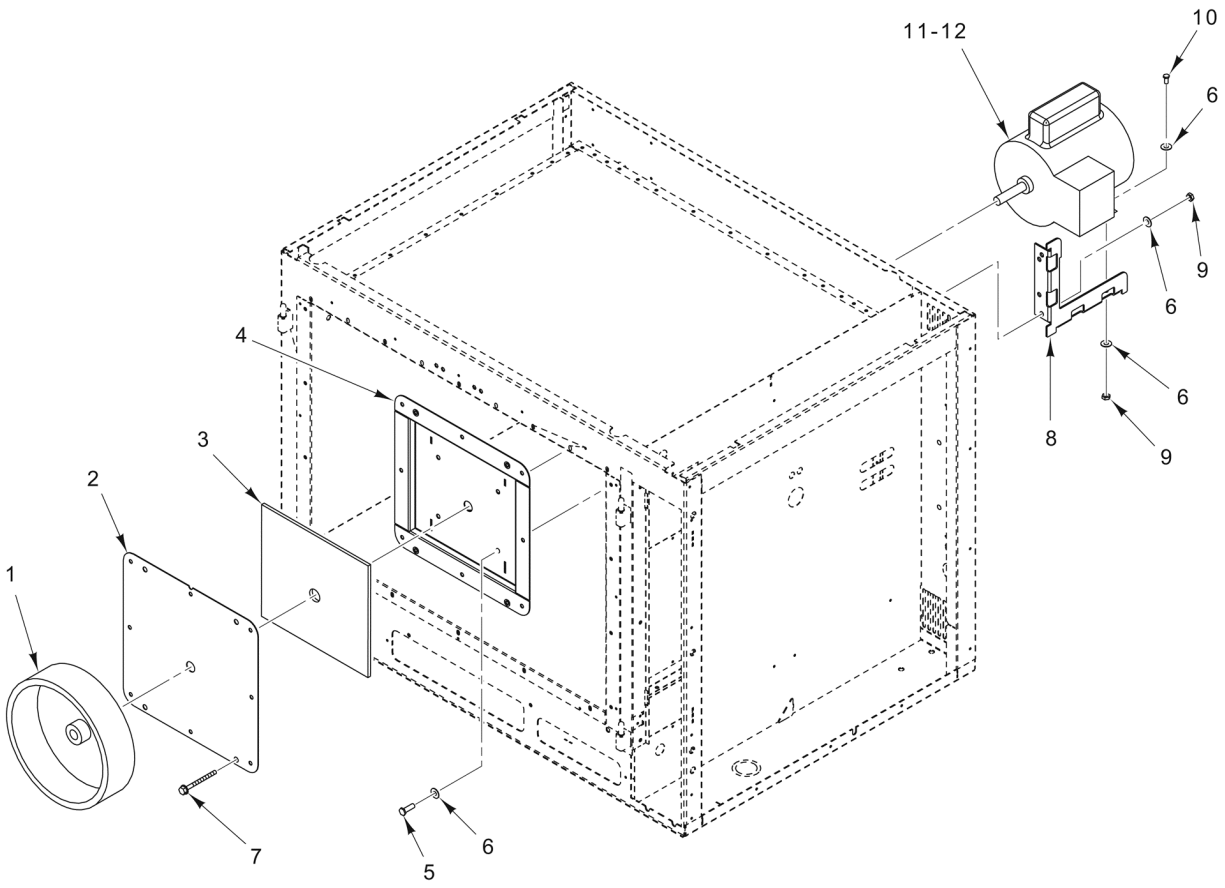
ILLUS.	PART NO.	NAME OF PART	AMT.
PL-60489			
1	FE-019-40	Fuse (15 Amp., 600 V.).....	2
2	FE-023-55	Holder - Fuse (15 Amp., 300 V.).....	2
3	00-411242-00001	Knob.....	2
4	00-959961-00001	Light (250 V.) (Clear).....	1
5	00-959960-00001	Light (250 V.) (Amber).....	1
6	00-959892-00001	Overlay.....	1
7	00-959706-00001	Panel - Weldment.....	1
8	00-340324-00008	Switch (4P.D.T.).....	1
9	00-913149	Kit - Temperature Control (With Harness).....	1
10	00-411690-00002	Timer (200-240 V.) (60 Hz.) (1-Hr.).....	1
11	00-340324-00009	Switch (D.P.D.T.).....	1
12	00-340324-00012	Switch (S.P.S.T.).....	1
13	00-411499-00003	Buzzer (230 V.).....	1



ELECTRICAL COMPONENTS AND HEATING ELEMENT

ELECTRICAL COMPONENTS AND HEATING ELEMENT

ILLUS. PL-60490	PART NO.	NAME OF PART	AMT.
1	00-959693-00001	Panel - Component.....	1
2	00-417934-000G1	Block Assy. - Porcelain.....	1
3	SD-034-52	Self-Tapping Screw 8-32 x 1 Hex Washer Hd., Type T.....	AR
4	00-411497-000C7	Contactora (3-Pole) (50 Amp., 230 V.).....	1
5	SD-032-07	Self-Tapping Screw 10-24 x 1/2 Hex Washer Hd., Type TT.....	AR
6	FE-024-23	Bushing - Electrical (Snap).....	2
7	00-410472-00008	Block - Terminal (3-Pole).....	1
8	00-417856-00001	Lug - Grounding (With Set Screw).....	1
9	00-424940-00002	Fan - Cooling (230 V.).....	1
10	00-959859	Cover - Fan.....	1
11	SD-039-78	Self-Tapping Screw.....	AR
12	00-960052-00001	Baffle.....	1
13	00-959908-00001	Hook - Fan Cover.....	3
14	00-959747-00001	Element - Heating (208 V.).....	1
15	00-959747-00002	Element - Heating (240 V.).....	1
16	00-959747-00003	Element - Heating (480 V.).....	1
17	00-354431-00001	NLA - Obsolete--Flue Assy.....	1
18	00-959957-00001	Light Assy. (240 V.).....	1
19	00-961291-00002	Bulb - Halogen (230V) (240V / 40W).....	1
20	00-958827-000G1	Thermostat (High Limit) (With Mounting Plate).....	1
21	00-499278-00001	Guard - Probe.....	1
22	00-353589-00001	Probe Temperature (SST) Solid State.....	1
23	00-411500-00015	Transformer (480 V. to 240 V.).....	1
24	00-960054-000G1	Wire Set (480 V. Only).....	1

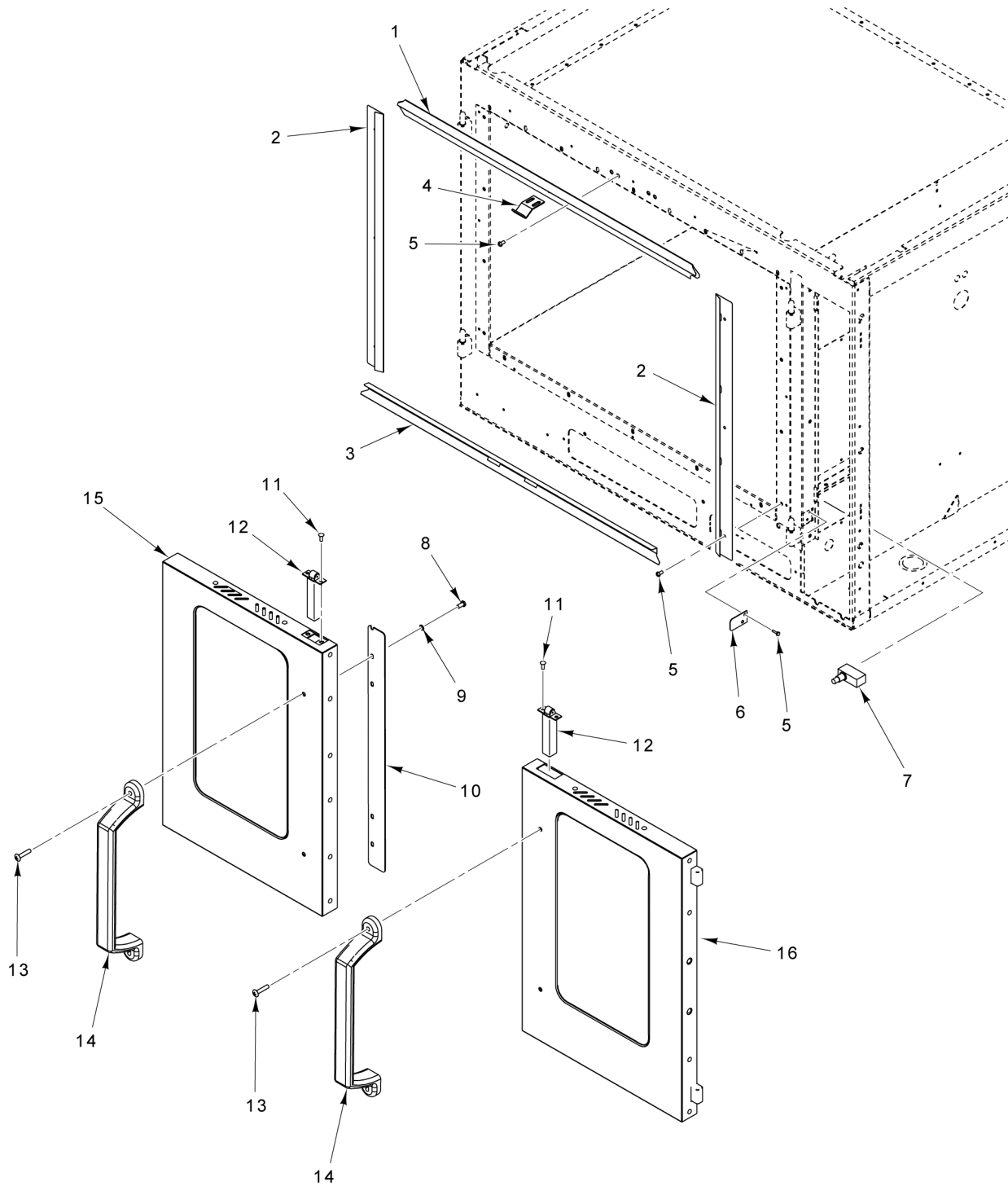


PL-60491

CONVECTION MOTOR

CONVECTION MOTOR

ILLUS.	PART NO.	NAME OF PART	AMT.
PL-60491			
1	00-415780-00003	Wheel - Blower (60 Hz.).....	1
2	00-959698	Cover - Motor.....	1
3	00-959955-00001	Insulation.....	1
4	00-959695	Mount - Motor.....	1
5	SC-113-65	Cap Screw 5/16-18 x 1-1/4 Hex Hd.....	4
6	WS-029-46	Washer.....	16
7	SC-132-01	Screw.....	8
8	00-959803	Bracket - Motor Support.....	2
9	NS-046-86	Nut Assy. 5/16-18 KEPS Hex.....	8
10	SC-113-78	Cap Screw 1/4-20 x 3/4 Hex Hd.....	4
11	00-342285-00001	Bushing - Plastic.....	1
12	00-358516-00002	Motor 1/2 Hp. (2-Speed) (208-240 V., 50/60 Hz., 1 Ph.).....	1

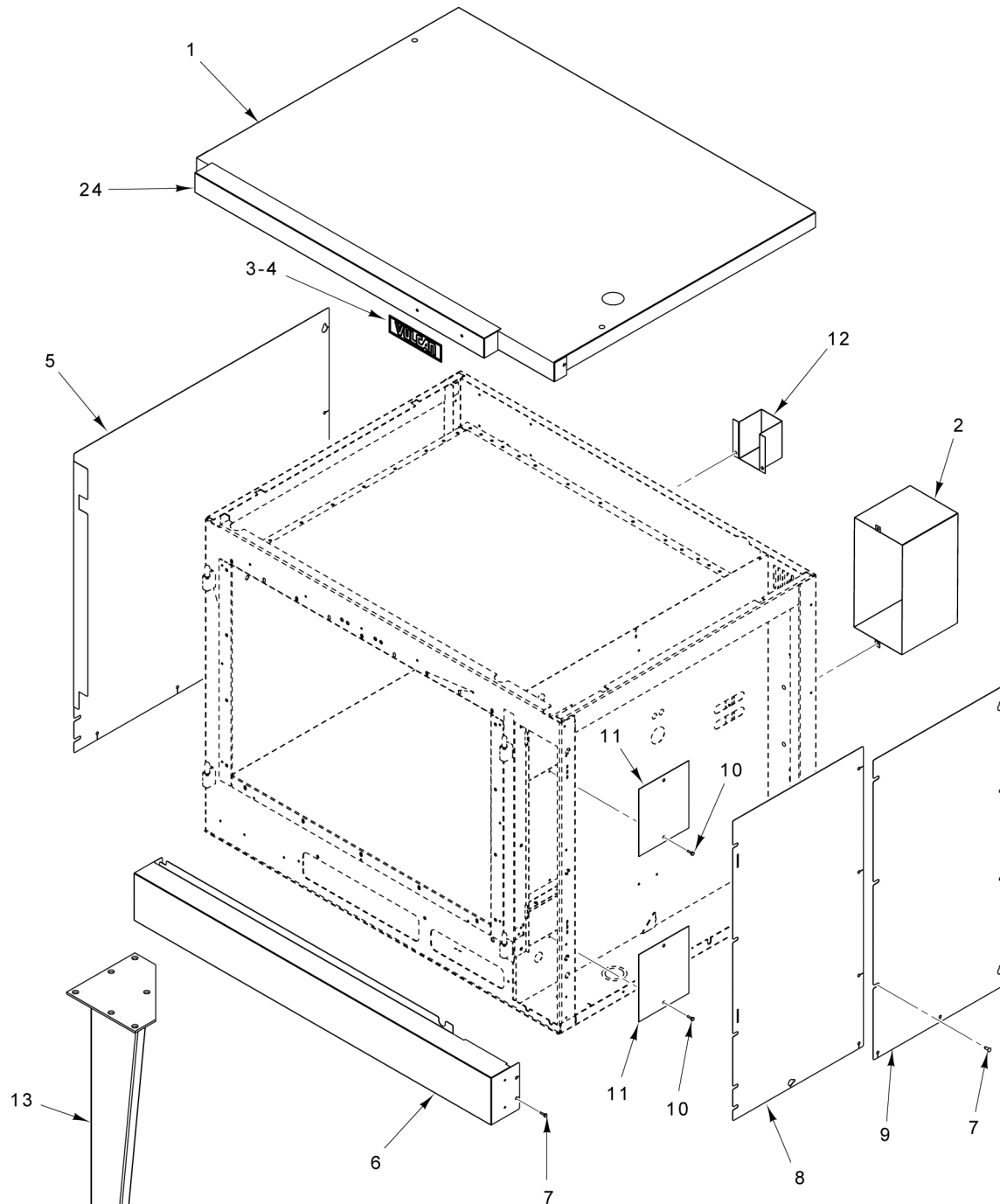


PL-60493

DOOR ASSEMBLY

DOOR ASSEMBLY

ILLUS.	PART NO.	NAME OF PART	AMT.
PL-60493			
1	00-959770	Seal - Door (Top).....	1
2	00-959771	Seal - Door (Side).....	2
3	00-959772	Seal - Door (Bottom).....	1
4	00-497585-00001	Plate - Strike.....	2
5	SD-039-78	Self-Tapping Screw.....	AR
6	00-959843	Stop - Door.....	1
7	00-960053-00001	Switch - Door.....	1
8	SC-113-78	Cap Screw 1/4-20 x 3/4 Hex Hd.....	4
9	WL-013-14	Lockwasher 1/4 Internal Shakeproof.....	4
10	00-959780	Seal - Center Door (LH Door).....	1
11	SC-115-51	Mach. Screw 10-32 x 1/2 Phil. Truss Hd.....	4
12	00-497586	Latch - Roller.....	2
13	00-959087-00001	Screw 1/4-20 x 1-1/4 Black Hd.....	4
14	00-957108	Handle.....	2
15	00-959798-000G1	Door Assy. (Left) (Incls. Items 8 thru 14).....	1
16	00-959799-000G1	Door Assy. (Right) (Incls. Items 11 thru 14).....	1



PL-60492

14	00-959708-00001	Rack Guide Assy.	19	00-357093-00001	Ring - Locking
15	00-411265-00022	Rack - Oven	20	00-288946-00002	Foot
16	00-417063-00001	Strap	21	00-343634-00001	Caster
17	00-357047-00001	Caster - Swivel	22	00-343634-00002	Caster
18	00-357047-00002	Caster - Swivel	23	00-342150-00008	Leg

PARTS NOT ILLUSTRATED

PANELS

PANELS

ILLUS. PL-60492	PART NO.	NAME OF PART	AMT.
1	00-959689	Panel - Top.....	1
2	00-427082	Cover (480 V. Transformer).....	1
3	00-957916-00001	Nameplate - Vulcan (7-1/4 In.).....	1
4	NS-047-79	Pal Nut 3/16.....	2
5	00-959688	Panel - Side (LH).....	1
6	00-959922-00001	Trim - Cosmetic Bottom.....	1
7	SD-008-27	Self-Tapping Screw 10-16 x 1/2 Phil. Truss Hd., Type B.....	AR
8	00-959794	Panel - Access.....	1
9	00-959793	Panel - Side (RH).....	1
10	SD-032-07	Self-Tapping Screw 10-24 x 1/2 Hex Washer Hd., Type TT.....	4
11	00-959769	Cover - Access.....	2
12	00-427617-00001	Flue - Deflector.....	1
13	00-424157-000G7	Leg Assembly for Caster and Foot (Painted Black).....	4
14	00-959708-00001	Rack Guide Assy.....	AR
15	00-411265-00022	Rack Assy.....	AR
16	00-417063-00001	Strap - Tie Down.....	AR
17	00-357047-00001	Caster - Swivel (Without Brake).....	AR
18	00-357047-00002	Caster - Swivel (With Brake).....	AR
19	00-357093-00001	Ring - Locking.....	AR
20	00-288946-00002	Foot - Adjustable (1-5/8) (SST).....	AR
21	00-343634-00001	Caster (Swivel With Brake) (7.5 In.) (Double Stack Only).....	AR
22	00-343634-00002	Caster (Rigid) (7.5 In.) (Double Stack Only).....	AR
23	00-342150-00005	Leg (8 In.) (Double Stack Only).....	AR
24	00-960051-00001	Trim - Front.....	1

