



24" SX SERIES VALUE RANGE

4 Open Burners



Model SX24



SPECIFIER STATEMENT

24" wide SX series light-duty range, Vulcan Model No. SX24-4B. Stainless steel front, sides, backriser, high shelf and bullnose. Porcelain door liner and oven bottom. Four 28,000 BTU/hr. cast top burners with lift-off burner heads. Shrouded flash tube pilot system (one pilot per two burners). 12" x 12" cast top grates with aeration bowls. Heavy duty top grates and burner heads. Compression spring door hinge system for durability. 30,000 BTU/hr. oven measures 20.6" w x 25.5" d x 13.7" h. Thermostat adjusts from 250° to 500°F. One oven rack with four rack positions. 3/4" rear gas connection and gas pressure regulator. Total input: 132,000 BTH/hr.

Exterior Dimensions:

24" w x 32.5" d x 55" h on 6" adjustable legs

Project _____

AIA # _____ SIS # _____

Item # _____ Quantity _____ C.S.I. Section 114000

MODELS

- SX24-4BN** 1 Space Saver Oven / Natural Gas
- SX24-4BP** 1 Space Saver Oven / Propane

STANDARD FEATURES

- Stainless steel front, sides, backriser, lift-off high shelf
- 6" stainless steel adjustable legs
- 28,000 BTU/hr open top burners with lift-off heads
- Shrouded flash tube pilot system (one pilot per two burners)
- 12" x 12" cast top grates with aeration bowls
- 30,000 BTU/hr standard oven cavity measures 20.6" w x 25.5" d x 13.7" h
- Oven thermostat adjusts from 250° to 500°F
- One oven rack and four rack positions
- 3/4" rear gas connection and gas pressure regulator
- One year limited parts and labor warranty

ACCESSORIES (PACKAGED AND SOLD SEPARATELY)

- Extra oven rack
- Set of four casters (two locking)

24" SX SERIES VALUE RANGE – 4 Open Burners

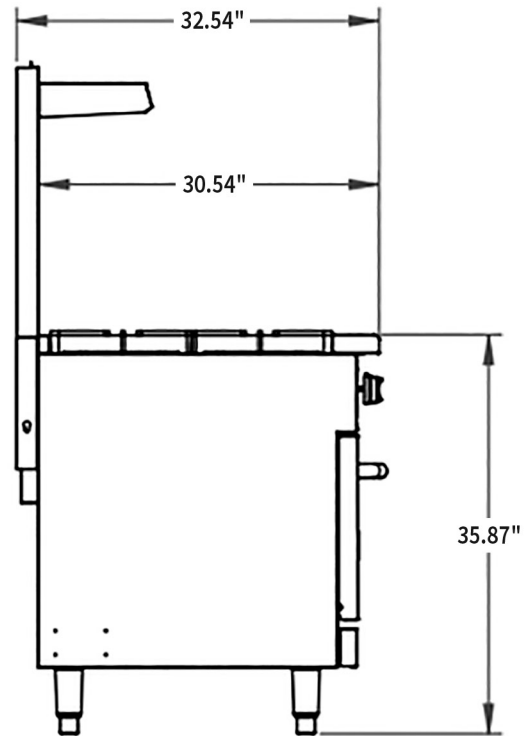
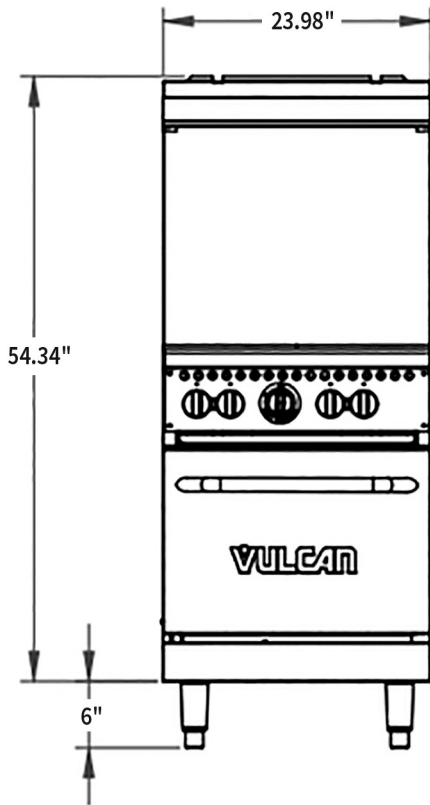
Approved by _____ Date _____ Approved by _____ Date _____

INSTALLATION INSTRUCTIONS

1. A pressure regulator sized for this unit is included. Natural gas 5.0" W.C., propane gas 10.0" W.C.
2. Gas line connecting to range must be 3/4" or larger. If flexible connectors are used, the inside diameter must be 3/4" or larger.
3. An adequate ventilation system is required for commercial cooking equipment. Information may be obtained by visiting the National Fire Protection Association website at <https://www.nfpa.org/>. Refer to NFPA No. 96.
4. These units are manufactured for installation in accordance with ANSZ223.1A (latest edition), National Fuel Gas Code. Information may be obtained from The American Gas Association website at <https://www.aga.org/>.

- | | | |
|---------------------------------|---------|-------|
| 5. Clearances | Rear | Sides |
| Combustible | 6" | 10" |
| Standard Oven Non-Combustible | 0" | 0" |
| Convection Oven Non-Combustible | Min. 4" | 0" |
6. For proper combustion, install equipment on adjustable legs or casters provided with unit.
 7. This appliance is manufactured for commercial installation only and is not intended for home use.

**SPECIFY TYPE OF GAS WHEN ORDERING.
SPECIFY ALTITUDE WHEN ABOVE 2,000 FEET.**



CAD and/or Revit Files Available

Top Configuration	Model	Description	Total Input BTU / Hr.	Shipping Weight Lbs. / KG
	SX24-4BN	1 Space Saver Oven / 4 Burners / Natural Gas	143,000	350 / 159
	SX24-4BP	1 Space Saver Oven / 4 Burners / Propane	143,000	350 / 159

As continued product improvement is a policy of Vulcan, specifications are subject to change without notice.