



Get more done.

OWNER/OPERATOR MANUAL



MODEL 300M SLICER

IMPORTANT NOTICE

This manual contains Important Safety Instructions which must be strictly followed when using this equipment.

BEFORE USING THIS EQUIPMENT

Berkel's slicers are designed to slice meat and other food products safely and efficiently. However, unless the operator is properly trained and supervised, there is the possibility of a serious injury. It is the responsibility of the owner to ensure that this slicer is used properly and safely, strictly following the instructions contained in this manual and any requirements of local law.

No one should use or service this slicer without proper training and supervision. All operators should be thoroughly familiar with the procedures contained in this manual. Even so, Berkel cannot anticipate every circumstance or environment in which its slicers will be used. You, the owner and/or operator, must remain alert to the hazards posed by the function of a slicer—particularly the sharp rotating blade and moving table. No one under 18 years of age should operate this equipment. If you are uncertain about a particular task, ask your supervisor.

This manual contains a number of safe practices in the General Safety Instruction Section. Additional warnings are placed throughout this manual. **WARNINGS RELATED TO YOUR PERSONAL SAFETY ARE INDICATED BY:**

WARNING

If any warning label, wall chart or manual becomes misplaced, damaged or , please contact your nearest distributor or Berkel directly, for a free replacement.

Remember, however, **THIS MANUAL OR THE WARNING LABELS DO NOT REPLACE THE NEED TO BE ALERT AND TO USE YOUR COMMON SENSE WHEN USING THIS SLICER.**

TABLE OF CONTENTS

	<i>Page</i>
General Safety Instructions.....	4
Equipment Description.....	5
Introduction	6
General Information	6
Technical Characteristics.....	10
Description.....	11
Installation	13
Using the Slicing Machine	14
Cleaning the Slicing Machine	15
Maintenance and Repairs	16

The Berkel Company • World's Leading Manufacturer of Slicers and Food Processing Equipment

BERKEL COMPANY

2006 Northwestern Parkway • Louisville, KY 40201

Phone: 800-348-0251 • Fax 888-888-2838

www.berkelequipment.com

⚠ WARNING

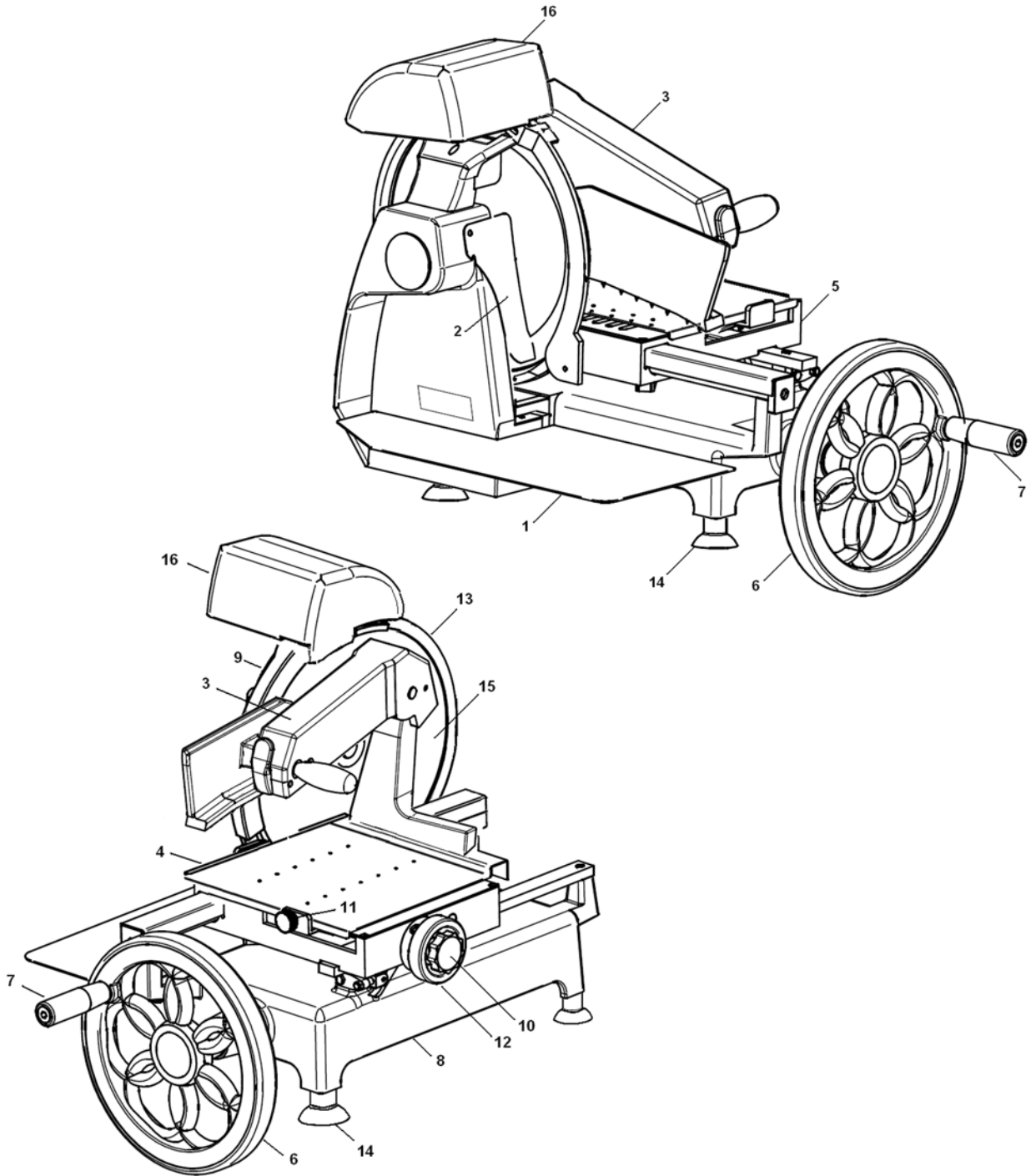
SHARP KNIFE BLADE

**to avoid serious personal injury
follow all the instructions in this manual
and**

1. NEVER touch this machine without training and authorization by your supervisor.
2. MACHINE MUST BE on solid level support.
3. GUARDS MUST BE in place before operating machine.
4. ALWAYS use food pusher not your hand.
5. NEVER TOUCH ROTATING KNIFE.
6. KEEP hands, arms, hair and loose clothing clear of all moving parts.
7. USE ONLY the attachments provided by the manufacturer.
8. SHOULD any warning label on a machine come off or become unreadable, contact the manufacturer or your Designated Berkel Service Location for a free replacement.



EQUIPMENT DESCRIPTION



- | | |
|--------------------------------|---|
| 1. Food plate | 9. Blade protection |
| 2. Slice deflector | 10. Overplate rapid advance lever |
| 3. Special handgrip | 11. Unlock overplate |
| 4. Sliding overplate | 12. Regulating knob for slice thickness |
| 5. Carriage | 13. Ring |
| 6. Flywheel | 14. Foot |
| 7. Flywheel maneuvering handle | 15. Blade |
| 8. Base | 16. Sharpener cover |

INTRODUCTION

PURPOSE OF THE MANUAL

This publication contains all the information necessary for the installation, use and maintenance of the manual flywheel slicing machines to be used for food, with circular blade, models 300M. The purpose of this manual is to allow the user, above all the direct user, to take every precaution and arrange all human and material means necessary for a safe and lengthy use of these machines.

KEEPING THE MANUAL

This manual must be given to the person who will use and maintain the machines and this person will keep the manual in a safe and dry place, ready to be used. We recommend that a copy be kept on file.

For any correspondence with the manufacturer or authorised personnel, please refer to the information on the plate and the machine serial number.

The manual must be kept for the entire life of the machine and in case of need (ex. any damage to even a part of the manual that makes consulting it difficult) the user must acquire a new copy exclusively from the manufacturer.

The user must let the manufacturer know the address of any new owner of the machine.

USE OF THE MACHINE

The use and configurations of the machine are the only ones allowed by the manufacturer; do not try to use the machine differently from the indications.

The machines are to be used for cutting only food products of the type and size indicated in the following paragraphs.

The manufacturer declines all responsibility derived from an improper use or use by personnel who has not read and fully understood the contents of this manual; changes and/or repairs carried out on one's own; the use of spare parts that are not original or not specific for the type of machine.

GENERAL INFORMATION

MACHINE LIMITS, SAFETY, AND REGULATIONS

The machine has been designed and made to slice food products of the type and size indicated below.

PRODUCTS THAT CAN BE SLICED

The following are products that can be sliced:

- All types of cold cuts (cooked, raw, smoked);
- Boneless meat (cooked or raw at a temperature of no lower than +3 °C);
- Bread and cheeses (those that can be sliced, such as Gruyere, Fontina, etc.).

PRODUCTS THAT CANNOT BE SLICED

The following are products that cannot be sliced because they could cause damage to people and equipment:

- Frozen foods;
- Deep-frozen foods;
- Food with bones (meat and fish);
- Vegetables;
- Any other product that could be sliced but not meant for consumption.

NOTE: Do not try to slice products that are not allowed.

Environmental conditions for using the machine

The operating environment must have the following characteristics:

- Temperature from -5°C to +40 °C
- Relative humidity max. 95%

The machine cannot be used in open areas and/or exposed to atmospheric agents and in places with fumes, smoke or corrosive and/or abrasive dust, with the risk of fire or explosion and in any case where the use of anti-deflagrating components are prescribed.

General safety regulations

The slicing machine must be used only by personnel who has carefully read the contents of this manual. The operators must be over 18 years of age, in perfect mental and physical conditions, have the right attitude and capacity (with the necessary knowledge for manoeuvring and normal maintenance of simple mechanical and electrical components).

For a safe use of the machine follow the instructions below:

- Install the machine according to the instructions in the paragraph “Installation”
- Install the machine so that it is far from people who must not use it, especially children
- Do not be distracted while using the machine
- Do not wear loose clothing or open sleeves, if necessary use headgear to keep hair out of the way
- Do not let anyone come close to the machine while in use
- Do not remove, cover or change the plates that are on the machine and, if they are damaged, replace them immediately
- Do not remove the protective devices and do not change or exclude the mechanical protective devices
- Only slice permitted products; do not try to slice any products that are not allowed
- The area around the machine, where the food is laid and the floor where the operator works must always be kept clean and dry
- Do not use the machine as a support surface and do not place any object on it that does not pertain to normal cutting operations

- Immediately stop the machine and call the technical assistance service in the case of anomalous function, suspect of breakages, incorrect movements, unusual noises, etc.
- Always use gloves that are resistant to cutting and tearing for the cleaning and maintenance operations
- The goods to be cut are to be placed on and removed from the sliding overplate only when the plate is completely retracted (far from the blade) and the carriage all the way towards the operator
- No cutting accessories are allowed unless supplied by the manufacturer
- For any extraordinary intervention (belt replacement, blade replacement, etc.) please contact the manufacturer or authorised assistance personnel

GUARANTEE AND MANUFACTURER'S RESPONSIBILITY

The guarantee of a good function and a complete conformity of the machines, that are to be used accordingly, depends on the correct application of the instructions contained in this manual.

The manufacturer declines all direct and indirect responsibility deriving from:

- Not following the instructions in the manual
- Persons using the machine who have not read and understood the contents of this manual
- Using the machine so that it does not conform to specific regulations in force in the country of installation
- Unauthorized changes and/or repairs to the machine
- The use of accessories that are not supplied by the manufacturer and spare parts that are not original
- Outstanding events

If the machine is sold or given away, this automatically means that the manufacturer is no longer responsible unless the relative manual accompanies it.

If the machine is transferred to another user in a country with another community language it is the first user's responsibility to supply a correctly translated copy of this manual in the language of the country where the machine will be used.

In the case of transfer of the machine the first user must let the manufacturer know the address of the new user so that he can be reached for any indispensable communications.

USER'S OBLIGATIONS

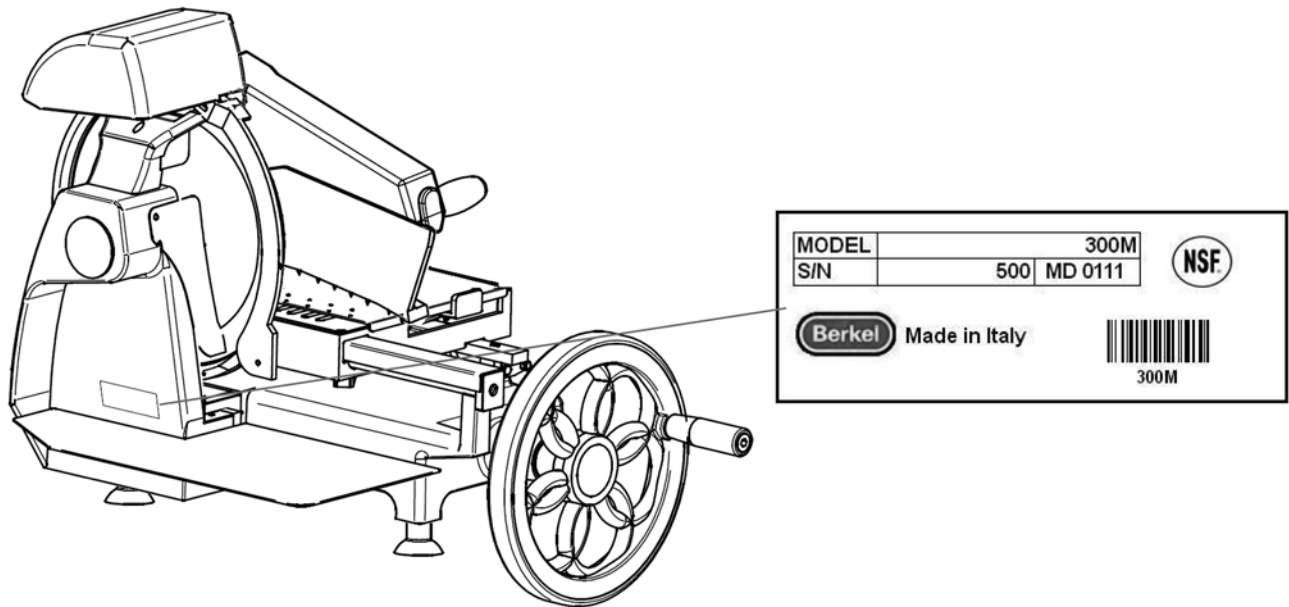
The user must scrupulously observe the instructions in this manual for the manufacturer's guarantee to be valid and particularly:

- Always respect the limits of the machine
- Always carry out a constant and diligent maintenance
- Make sure the persons using the machine are qualified and able to do so, including the fact that they must have read this manual.

PLATES

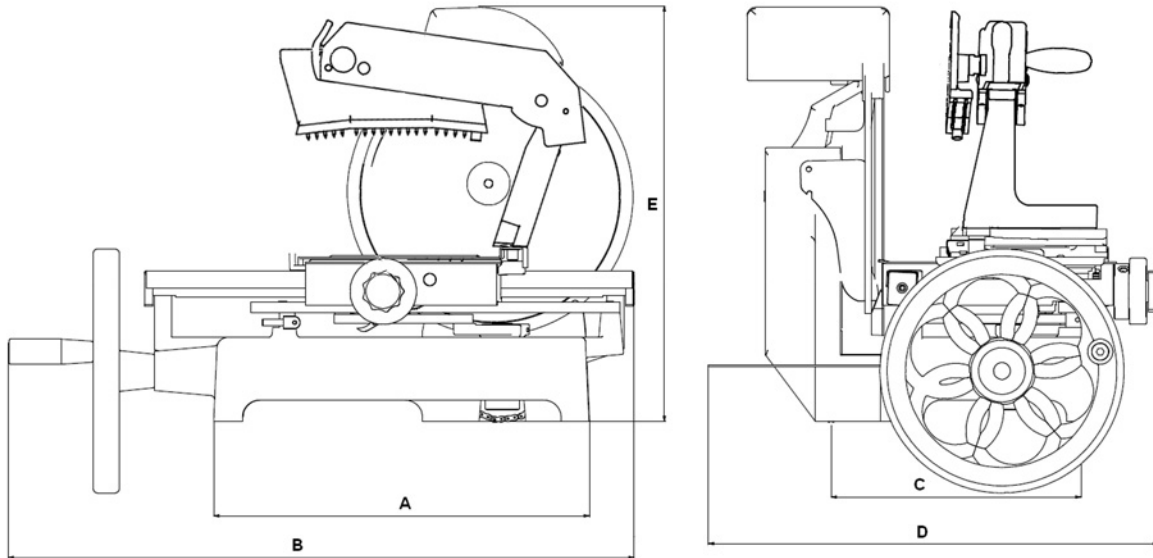
The following plate is installed on the machine:

- Manufacturer's identification plate, machine plate, technical data plate; placed on the base, as shown in the figure.



TECHNICAL CHARACTERISTICS

MAIN TECHNICAL DATA



Rif.	Detail	mm
A	Feet distance	450
B	Max. distance beginning/end movement	750
C	Feet distance	335
D	Max. width distance	540
E	Max. height distance	510

Blade	Carriage movement	Thickness adjuster	Cut's capacity	Net weight
ø mm 300	mm 255	mm 0-3	mm 215 x 240	kg 44,5

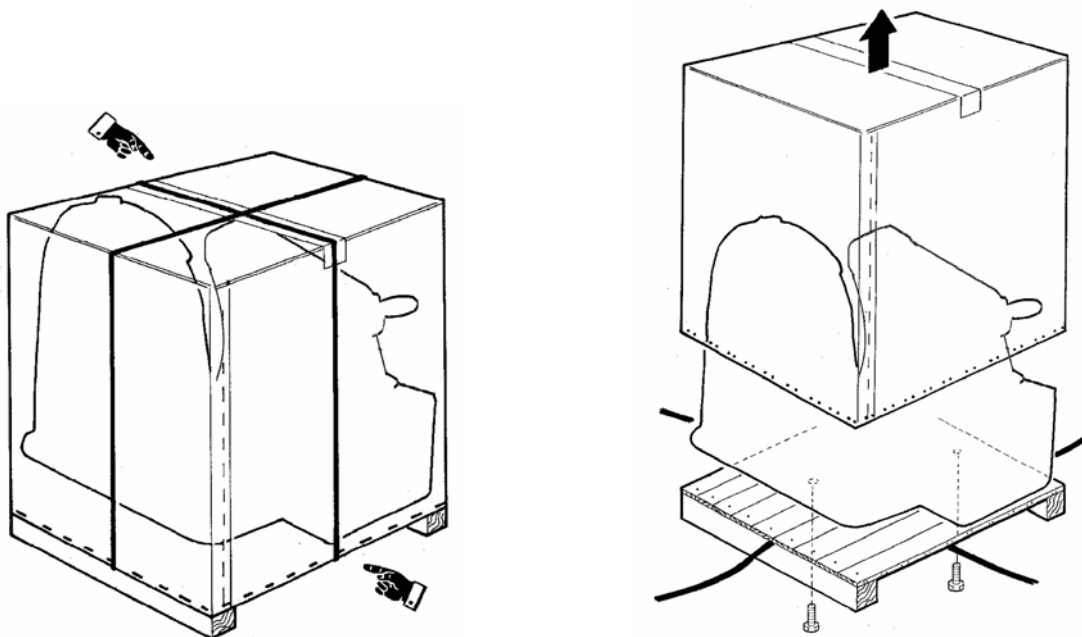
DESCRIPTION

UNPACKING

Check that the packaging is unopened and undamaged; otherwise, immediately inform the forwarding agent or the area agent.

To take the machine out of the packaging proceed as follows:

- Cut and remove the plastic straps
- Cut the cardboard box at the base which is attached to the pallet
- Lift and remove the cardboard box; take out the polyethylene bags with the machine flywheel and rubber feet
- Loosen and remove the two screws that attach the machine to the pallet



GENERAL DESCRIPTION

The slicing machine has been designed and made to offer maximum safety when in use, during cleaning and ordinary maintenance; maximum hygiene from the use of inoxidisable materials or adequately protected against oxidisation together with an attentive design of all the parts that come into contact with food; maximum cutting precision and capacity together with sturdiness and reliability of the structure.

The machine is essentially made up of a base that holds a circular blade that is vertically mounted and a sliding carriage on bars, parallel to the cutting edge of the blade, which in turn holds a food plate.

The food plate is made up of a base plate and an overplate which slides at right angles to the edge of the blade for slicing the food; the overplate also has an appropriate self-stopping device, which can be regulated in height, to keep the product in its proper place during cutting operations (food press).

Carriage movement and blade rotation are completely manual; by activating rotation of the flywheel with the special handle the carriage is put into motion and at the same time with a chain transmission the blade is turned.

The product is cut during the forward movement of the carriage, parallel to the blade; the thickness of the slice is regulated by a mechanical device which is automatically started every time the carriage comes back, making the sliding overplate transversally towards the blade, with a value which is predetermined by the graduated handwheel.

All the components of the machine are made of a light aluminium alloy, in stainless steel and plastic for food products as according to the sanitary regulations in force.

The machine has a sharpener which is extremely easy and safe to use.

The food plate, sharpener and blade cover can be removed for cleaning.

WARNING

DO NOT use the machine if you are not in perfect psycho-physical condition and DO NOT let anyone come near during use; concentrate when loading and cutting the product; pay attention!

Only cut products which are allowed; DO NOT try cutting products which are forbidden.

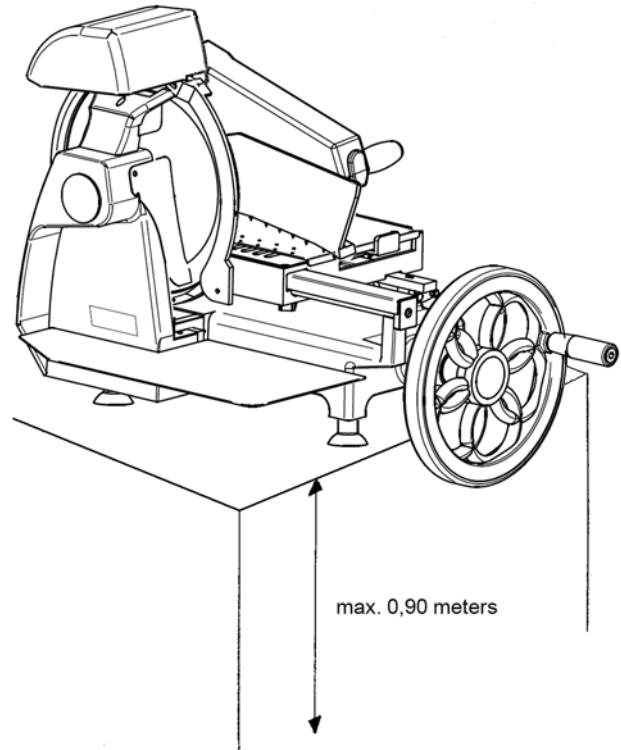
DURING CLEANING, LUBRICATION AND BLADE SHARPENING ALWAYS USE PROTECTIVE GLOVES WHICH ARE RESISTANT TO CUTS AND TEARS.

INSTALLATION

INSTALLATION OF MACHINE

If a support column (optional) is not used, install the machine on a surface which is level, dry and suitable for the weight of the machine plus the food to be sliced.

Check that there is nothing that can get in the way of the flywheel, carriage movement and food loading.



MANEUVERING FLYWHEEL

The flywheel (1) turned clockwise allows the carriage to be moved with the food plate with simultaneous blade rotation.

REGULATING KNOB FOR SLICE THICKNESS

The thickness of the slice is regulated by turning the graduated scale knob (2) clockwise.

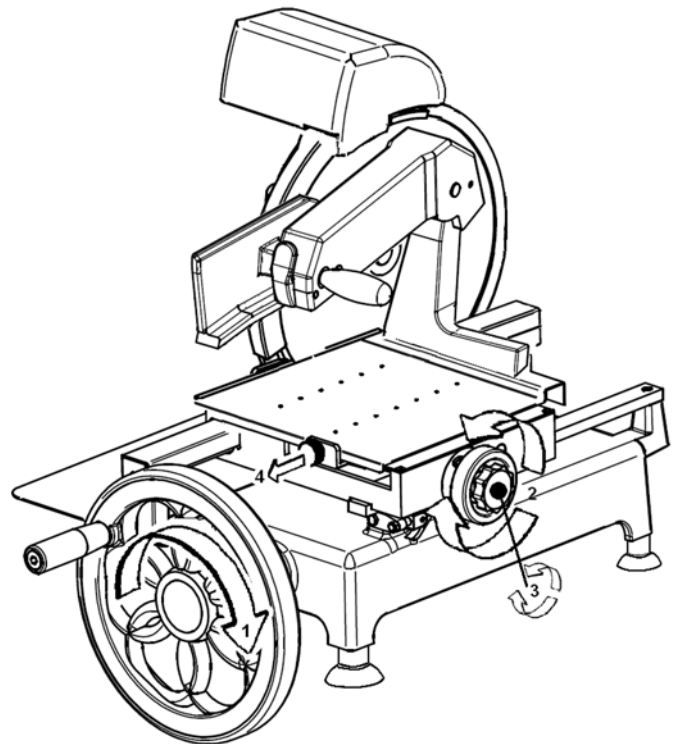
OVERPLATE ADVANCE HANDWHEEL

The handwheel (3) allows the overplate with the product to be brought quickly near to the blade after loading it or taken away from the blade after cutting or for small regulations.

OVERPLATE RAPID ADVANCE LEVER

Pull the lever (4), in order to near quickly the overplate to the blade or to remove it at the end of the cutting operation.

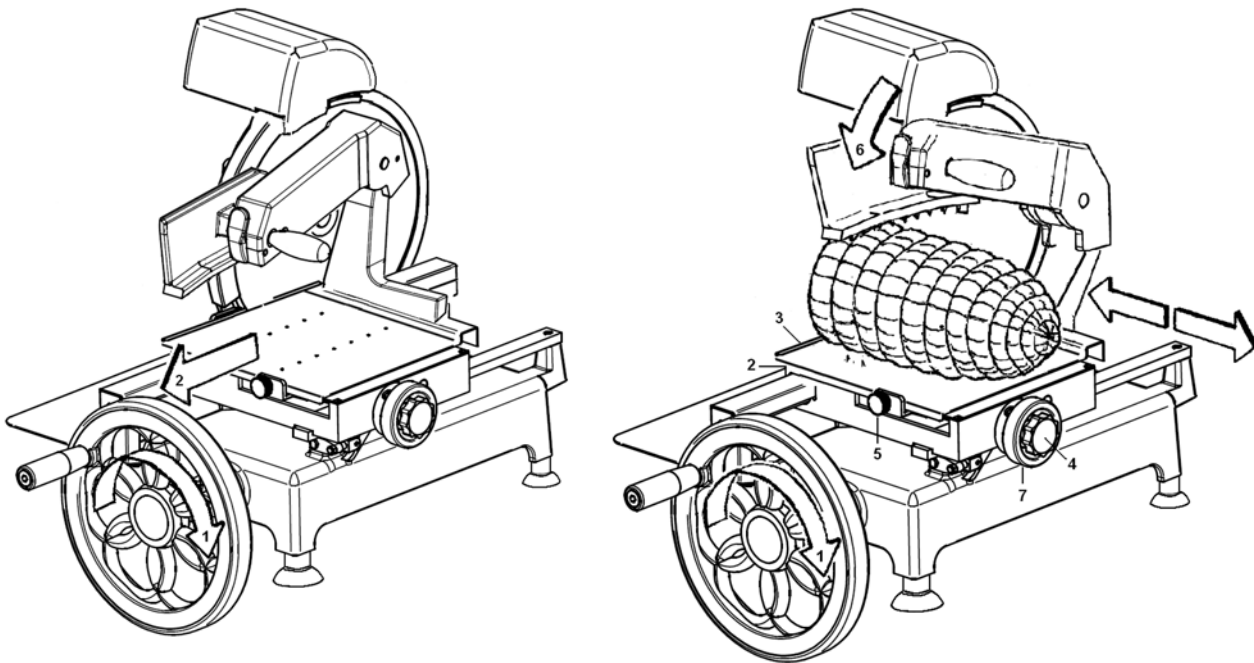
The operation is considerable more rapid than the one executable with the little flywheel.



USING THE SLICING MACHINE

LOADING THE GOODS

1. Using the flywheel (1) bring the carriage (2) all forward (towards the operator).
2. Pull back the sliding overplate (3) completely (away from the blade) using the handwheel (4) or the overplate rapid advance lever (5).
3. Place the food to be sliced on the overplate and block it with the food press (6) regulating the height as well.
4. Regulate the thickness of the slice by pulling and rotating the knob (7) at the same time, graduated from 0 to 11.
5. Bring the overplate with the goods towards the blade by using



CUTTING THE GOODS

1. Turn the flywheel clockwise (do not turn it counter clockwise, this could seriously damage the machine).
2. During the forward movement of the carriage (away from the operator) the goods will go into the blade and the slice, guided by the slice deflector, will fall onto the plate below.
3. During the return movement of the carriage (towards the operator) the mechanical device which makes the overplate advance transversally towards the blade will be put into motion, its value pre-determined with the slice thickness regulating knob.

CLEANING THE SLICING MACHINE

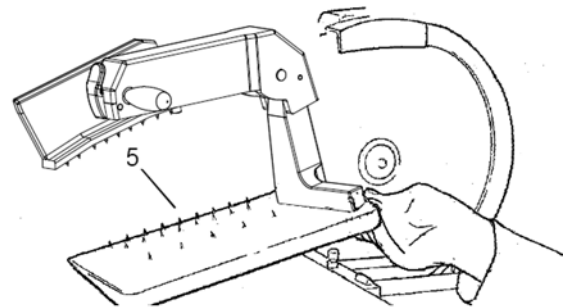
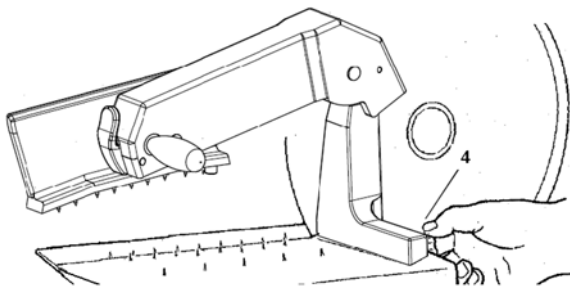
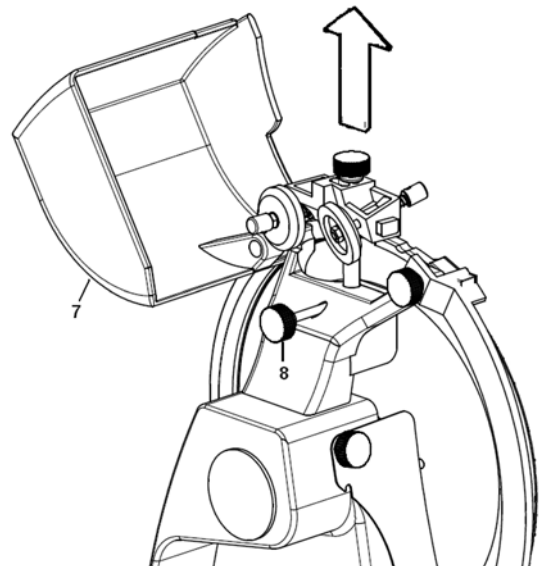
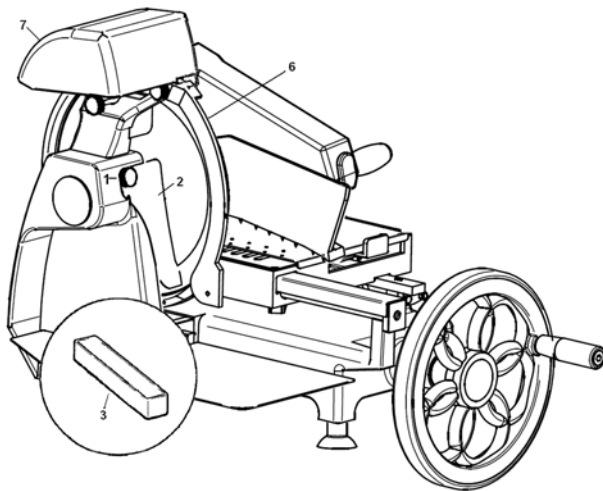
GENERAL INFORMATION

The machines must be properly cleaned at least once a day, if necessary even more. If the machines have not been used for a while they must be cleaned before use as well.

⚠ WARNING

Danger of cutting! Use protective gloves which are resistant to cutting and tearing and concentrate on the job at hand. **PAY CAREFUL ATTENTION!**

1. Unscrew the knob (1) to remove the slice deflector (2).
2. Take out the container (3).
3. Loosen the knob (4) and lift the sliding overplate (5) with its food press arm.
4. Remove the blade cover (6).
5. Lift the cover (7), unscrew the knob (8) to remove the sharpener.



Clean all the disassembled parts, the machine body, etc. only using hot water and a biodegradable foaming detergent for dishes at a temperature of no lower than +30 °C using a soft, spongy cloth and a nylon brush if necessary for the plate and the sharp food press.

Rinse well with a lot of hot clean water only and dry with a soft cloth or a spongy material.

⚠ WARNING

DO NOT clean the machine with jets of water or steam or similar.

MAINTENANCE AND REPAIRS

GENERAL INFORMATION

The operator is allowed to carry out the following maintenance:

- Blade sharpening, periodically; the interval and length of the sharpening obviously depend on the use of the machine (work times and type of product used).
- Lubrication of the carriage guide bars and overplate: weekly.
- Adjustment of the bevel gear pair: as necessary, see the relative paragraph.

Maintenance to be carried out exclusively by personnel authorised by the manufacturer is as follows:

- Replacing the blade
- Replacing the sharpener grindstones
- Replacing the chain
- Repairing the structural parts, repairing and/or replacing components under the base

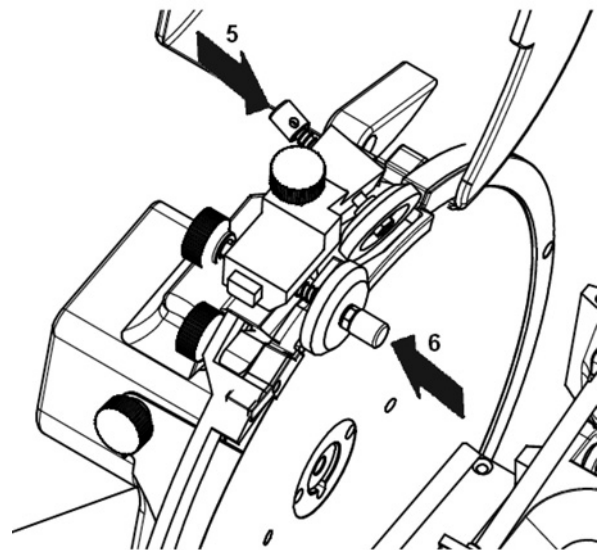
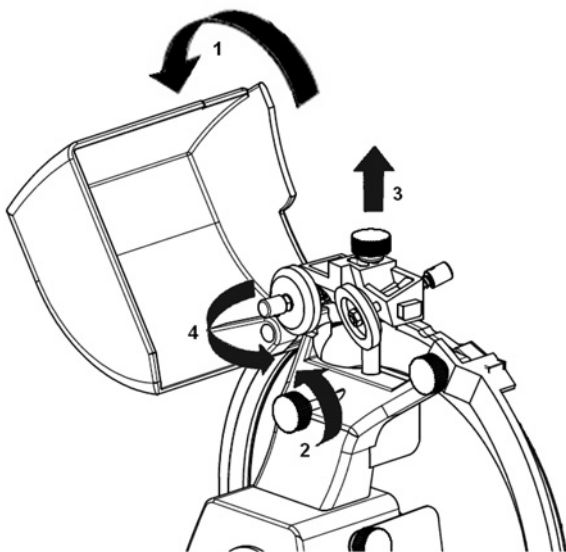
SHARPENING THE BLADE

Proceed as follows as soon as it is noticed that there is less cutting capacity:

WARNING

Danger of cutting! Use protective gloves which are resistant to cutting and tearing and concentrate on the job at hand. PAY CAREFUL ATTENTION!

1. Remove the slice deflector.
2. Clean the blade with denatured alcohol or hot water.
3. Lift the cover (1).
4. Loosen the blocking knob of the sharpening group (2).
5. Lift the sharpener (3) and turn it 180° (4).
6. Release it and completely retighten the blocking knob.
7. Start the blade.
8. Carry out the sharpening of the blade by pressing the sharpening grindstone button and keeping it pressed for 10-15 seconds (5).
9. Press and maintain pressed for 2-3 seconds the button of the finishing (6).
10. Stop the blade.
11. Replace the sharpener into the original position and close the cover.

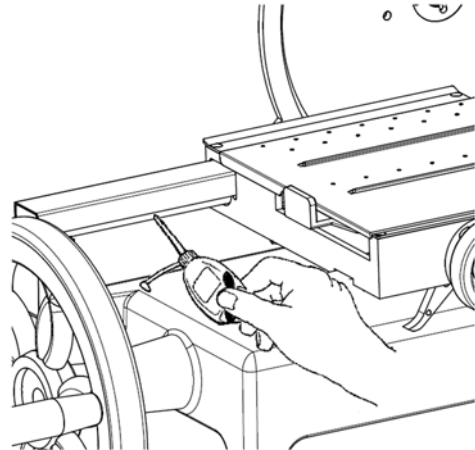


NOTE: Do not insist more than 2-3 seconds with the burring operation so as to avoid damage to the edge of the blade.

LUBRICATING THE GUIDE BARS OF THE CARRIAGE

1. After each cleaning operation of the machine put a few drops of oil along the sliding bar (3) of the carriage.
2. Turn the flywheel briefly.

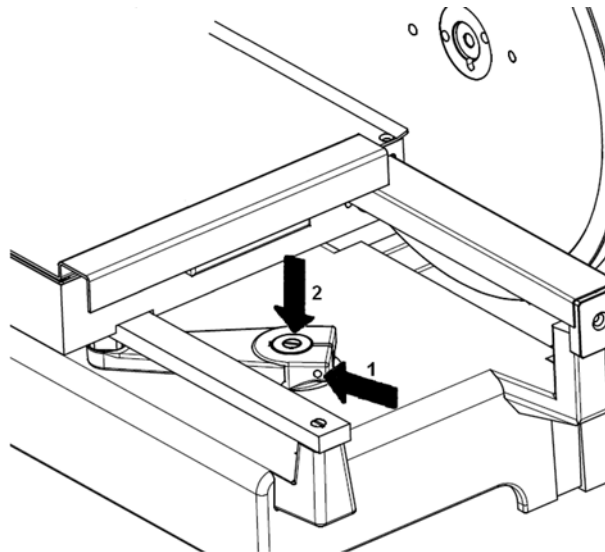
NOTE: Only use white Vaseline oil. Do not use vegetable oils.



ADJUSTING THE BEVEL GEAR PAIR

If there is too much play in the flywheel at the start of rotation proceed as follows to eliminate it:

1. Loose the screw (1).
2. Unscrew (2), a quarter of round, till you have definitively removed the flywheel play.



DISMANTLING THE SLICING MACHINE

The machines are made up of:

- Aluminium alloy structure
- Insertions and various in stainless steel
- Electric parts and wires, etc.
- Electric motor
- Plastic materials, etc.

If disassembly and dismantling are to be carried out by a third party, only consult firms that are authorised in the demolition of the above mentioned materials. If you carry out the dismantling yourself the materials must be separated according to type and consult a specialised firm for their disposal. Always abide by the regulations in force in your country.



MODE D'EMPLOI PROPRIÉTAIRE & USAGER



TRANCHEUSE MODÈLE 300M

AVIS IMPORTANT

Ce manuel contient des directives de sécurité importantes qui doivent être suivies rigoureusement lors de l'utilisation de cet appareil.

AVANT D'UTILISER CET APPAREIL

Les trancheuses Berkel sont conçues pour trancher de la viande et d'autres produits alimentaires de façon efficace et sécuritaire. Il subsiste toutefois un risque de blessure grave si l'utilisateur n'est pas formé et encadré adéquatement. C'est la responsabilité du propriétaire de s'assurer que cette trancheuse est utilisée correctement et de manière sécuritaire, et de faire en sorte que les utilisateurs suivent rigoureusement les instructions de ce manuel et respectent la réglementation locale.

Personne ne devrait utiliser ou entretenir cette trancheuse sans une supervision adéquate, et sans avoir suivi une formation appropriée. Tout utilisateur doit bien connaître les procédures présentées dans ce manuel. Toutefois, Berkel ne peut prévoir toutes les situations ni tous les environnements dans lesquels ses trancheuses seront utilisées. C'est donc vous, le propriétaire et l'utilisateur, qui devez demeurer vigilants face aux dangers inhérents à l'utilisation d'une trancheuse et en particulier, de la lame rotative très tranchante et du chariot mobile. Cet appareil ne doit pas être utilisé par une personne de moins de 18 ans. Si vous avez des doutes à l'égard d'une certaine tâche à effectuer, consultez votre superviseur.

Ce manuel présente un certain nombre de pratiques sécuritaires énoncées sous la rubrique « Consignes générales de sécurité ». De plus, des avertissements supplémentaires apparaissent à plusieurs endroits du manuel. **LES AVERTISSEMENT CONCERNANT VOTRE SÉCURITÉ PERSONNELLE SONT INDIQUÉS PAR LA VIGNETTE:**

AVERTISSEMENT

Si vous perdez des autocollants d'avertissement, des affiches murales ou des manuels d'utilisation, ou encore si l'un de ces derniers subit des dommages ou devient illisible, veuillez contacter le détaillant de votre région, ou Berkel directement, qui les remplacera gratuitement.

Souvenez-vous, toutefois, **QUE NI CE MANUEL NI LES AUTOCOLLANTS D'AVERTISSEMENT NE SAURAIENT REMPLACER LA NÉCESSITÉ DE DEMEURER VIGILANT ET DE FAIRE PREUVE DE BON SENS LORS DE L'UTILISATION DE CETTE TRANCHEUSE.**

TABLE DES MATIÈRES

	<i>Page</i>
Instructions générales de sécurité	4
Description de l'appareil	5
Introduction	6
Information générale	6
Caractéristiques techniques.....	10
Description.....	11
Installation	13
Utilisation de la trancheuse	14
Nettoyage de la trancheuse.....	15
Entretien et réparations.....	16

La Société Berkel • Le leader mondial dans la fabrication de trancheuses et d'appareils pour la préparation alimentaire

LA SOCIÉTÉ BERKEL

2006 Northwestern Parkway • Louisville, KY 40201

Téléphone: (800) 348-0251 • Fax (888) 888-2838

www.berkelequipment.com

⚠ AVERTISSEMENT

LAME ROTATIVE TRÈS TRCHANTE

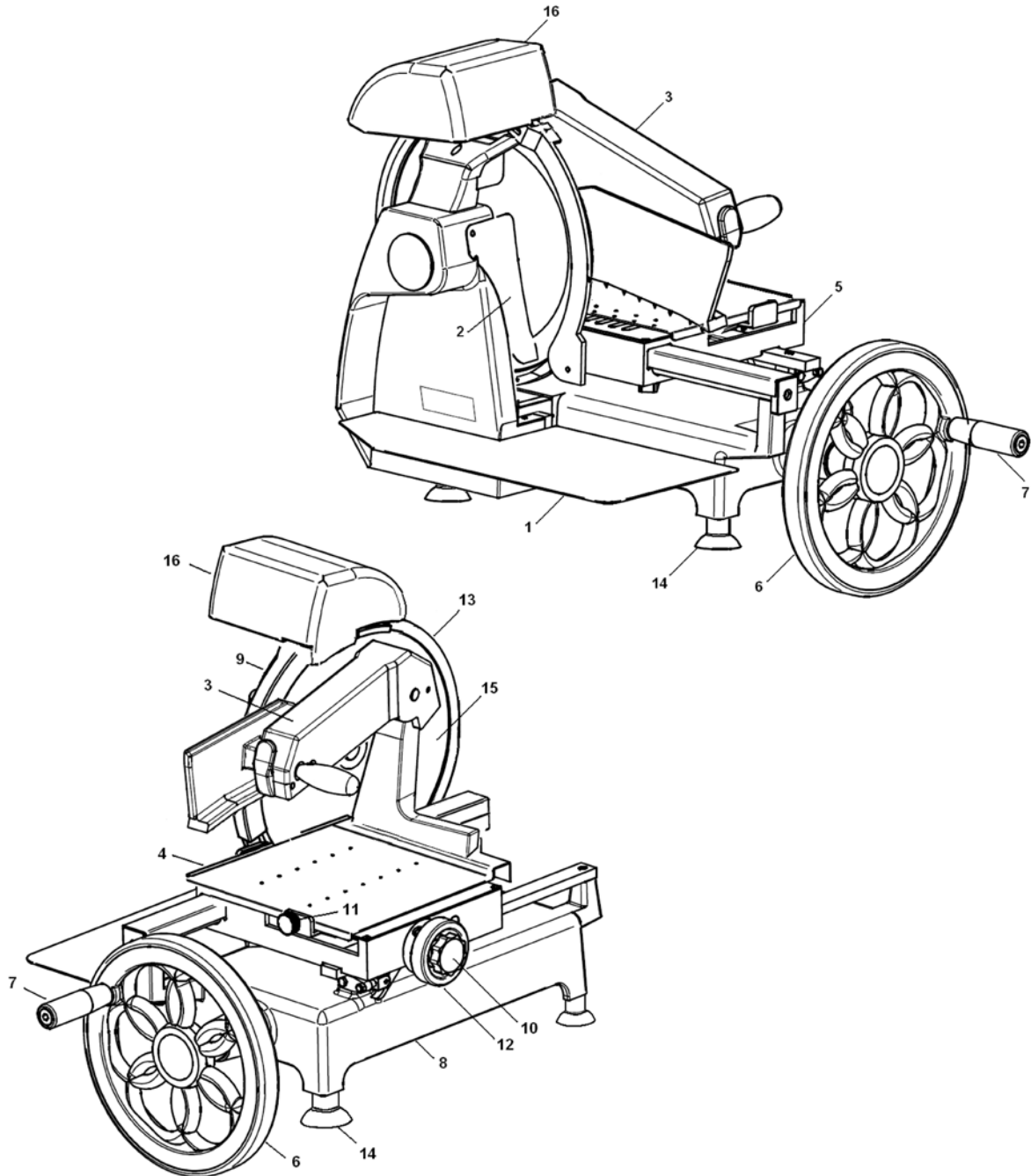
Suivre toutes les instructions de ce manuel afin

d'éviter de graves blessures et :

1. Ne touchez JAMAIS à cet appareil sans formation et sans l'autorisation de votre superviseur.
2. L'APPAREIL doit être placé sur une surface solide et de niveau.
3. Les GARDES de protection DOIVENT ÊTRE en place avant de mettre l'appareil en marche.
4. Utilisez TOUJOURS le poussoir et non votre main.
5. NE TOUCHEZ JAMAIS À LA LAME ROTATIVE.
6. GARDEZ vos mains, vos bras, vos cheveux et vos vêtements amples loin des parties mobiles.
7. N'UTILISEZ QUE les accessoires livrés par le fabricant.
8. Si l'un des autocollants d'avertissement de sécurité sur l'appareil se détache ou devient illisible, contactez le fabricant ou votre Centre de service autorisé Berkel pour obtenir gratuitement un nouvel autocollant.



DESCRIPTION DE L'APPAREIL



- | | |
|--|--|
| 1. Plaque réceptrice | 9. Protecteur de la lame |
| 2. Déflecteur de tranches | 10. Levier de déplacement rapide de la plate-forme de glissement |
| 3. Presse-produit à main spécial | 11. Déverrouillage de la plate-forme |
| 4. Plate-forme de glissement | 12. Bouton de réglage de l'épaisseur des tranches |
| 5. Chariot porte-produit | 13. Anneau de protection |
| 6. Volant moteur | 14. Pied |
| 7. Poignée d'actionnement du volant moteur | 15. Lame |
| 8. Caisson | 16. Couvercle de l'affûteuse |

INTRODUCTION

OBJECTIF DE CE MANUEL

Cette publication renferme toute l'information requise pour l'installation, l'utilisation et l'entretien des trancheuses manuelles à lame rotative, modèle 300M à volant moteur, conçues pour l'alimentation. Ce manuel se propose de permettre à l'utilisateur, et en particulier à l'utilisateur direct, de prendre toutes les précautions et tous les moyens humainement possibles pour l'emploi sécuritaire et prolongé de ces appareils.

CONSERVER CE MANUEL

Ce manuel doit être donné à la personne qui utilisera et fera l'entretien des appareils et qui devra le conserver dans une zone sécuritaire et sèche, prêt à être consulté. Il est recommandé d'en garder une copie dans les dossiers.

Pour toute correspondance auprès du fabricant ou avec du personnel autorisé, prière d'avoir en main l'information de la plaque signalétique et le numéro de série de l'appareil.

Le manuel doit être conservé pendant toute la vie utile de l'appareil et en cas de besoin (p.ex. tout dommage, même à une seule partie du manuel, rendant sa consultation difficile), l'utilisateur doit se procurer une nouvelle copie exclusivement auprès du fabricant.

L'utilisateur doit transmettre au fabricant l'adresse de tout nouvel acquéreur de l'appareil.

UTILISATION DE L'APPAREIL

L'utilisation et les configurations de l'appareil sont les seules permises par le fabricant; ne tentez pas de vous en servir pour des besoins autres que ceux indiqués.

Les appareils doivent servir seulement au tranchage de produits alimentaires du même type et des mêmes tailles que ceux indiqués dans les paragraphes qui suivent.

Le manufacturier décline toute responsabilité découlant d'une utilisation abusive ou d'une utilisation par des personnes n'ayant pas lu et pleinement compris le contenu de ce manuel; de modifications et/ou de réparations effectuées à titre personnel; de l'utilisation de pièces de rechange qui ne sont pas d'origine ou non spécialement conçues pour ce type d'appareil.

INFORMATION GÉNÉRALE

LIMITES DE L'APPAREIL, SÉCURITÉ, ET RÉGLEMENTATION

La machine a été conçue et fabriquée pour trancher des produits alimentaires du type et de la taille indiqués ci-dessous.

PRODUITS QUI PEUVENT ÊTRE TRANCHÉS

Les produits suivants peuvent être tranchés:

- Tous les types de viandes froides (cuites, crues, fumées);
- La viande désossée (cuite ou crue à une température égale ou plus élevée que 3 °C);

- Le pain et les fromages (ceux qui peuvent être tranchés, comme le gruyère, le fontine, etc.).

PRODUITS QUI NE PEUVENT PAS ÊTRE TRANCHÉS

Les produits ci-dessous ne peuvent pas être tranchés car ils pourraient causer des dommages aux personnes et à l'équipement:

- Les aliments congelés;
- Les aliments surgelés;
- Les aliments non désossés (viande et poisson);
- Les légumes;
- Tout autre produit qui pourrait être tranché mais qui n'est pas destiné à la consommation.

REMARQUE: n'essayez pas de trancher des produits non permis.

Environnement pour l'utilisation de l'appareil

L'environnement opérationnel doit comporter les caractéristiques suivantes:

- Température à partir de -5°C à 40 °C
- Humidité relative maximale 95%

L'appareil ne peut être utilisé dans des endroits ouverts et/ou exposés à des agents atmosphériques et dans des lieux remplis de vapeur, de fumée ou de poussière corrosive et/ou abrasive, exposés aux risques de feu ou d'explosion et dans tous les cas où des dispositifs antidéflagrants sont prescrits.

Réglementation générale de sécurité

La trancheuse ne doit être utilisée que par des personnes ayant lu attentivement le contenu de ce manuel. Les opérateurs doivent être âgés de plus de 18 ans, avoir une santé mentale et physique parfaite, démontrer une bonne attitude et être compétents (y compris posséder les connaissances nécessaires pour la manipulation et l'entretien normal des dispositifs électriques et manuels simples).

Pour une utilisation sécuritaire de l'appareil, veuillez suivre les directives ci-dessous:

- Installez l'appareil en vous basant sur les instructions du paragraphe "Installation"
- Placez l'appareil pour qu'il soit éloigné des personnes qui ne doivent pas l'utiliser, et tout spécialement loin des enfants
- Ne soyez pas distrait lorsque vous utilisez l'appareil
- Ne portez pas de vêtements amples ou à manches ouvertes; si nécessaire, portez un chapeau pour retenir vos cheveux
- Ne laissez personne s'approcher près de l'appareil quand il est en fonction
- Ne retirez pas, ni ne couvrez ou changez les étiquettes et plaques qui sont fixées sur l'appareil et, si elles sont endommagées, remplacez-les immédiatement
- Ne retirez pas les dispositifs de protection et ne changez pas ni ne contournez les dispositifs de protection mécaniques
- Ne tranchez que les produits permis; ne tentez pas de trancher tout produit non permis
- La zone entourant l'appareil, où les aliments sont posés, et le plancher où l'opérateur travaille, doivent toujours être gardés propres et secs

- N'utilisez pas l'appareil comme une surface de support et n'y posez pas d'objets qui ne sont pas reliés aux opérations normales de coupe
- Stoppez immédiatement l'appareil et contactez l'assistance technique en cas d'anomalie de fonctionnement, de panne suspecte, de mouvements incorrects, de bruits anormaux, etc.
- Portez toujours des gants résistant aux coupures et aux déchirures lors du nettoyage et de l'entretien
- Les aliments à trancher ne doivent être posés sur la plate-forme de glisse et en être retirés seulement si elle est revenue totalement à son point de départ (loin de la lame) et si le chariot est complètement parvenu devant l'opérateur
- Aucun accessoire de coupe n'est permis à moins de provenir du fabricant
- Pour toute intervention hors de l'ordinaire (remplacement d'une courroie, de la lame, etc.), vous êtes prié de contacter le fabricant ou du personnel d'entretien autorisé

GARANTIE ET RESPONSABILITÉ DU MANUFACTURIER

La garantie de bon fonctionnement et une conformité totale des appareils qui doivent être utilisés correctement sont fonction de la mise en pratique rigoureuse des instructions contenues dans ce manuel.

Le fabricant décline toute responsabilité directe et indirecte provenant de:

- Ne pas se conformer aux instructions du manuel
- Personnes utilisant l'appareil sans avoir lu et compris le contenu de ce manuel
- L'utilisation de la machine sans qu'elle ne soit conforme à la réglementation spécifique en vigueur dans le pays où elle est installée
- Modifications et/ou réparations de la machine non autorisées
- L'utilisation d'accessoires non fournis par le fabricant et de pièces de rechange qui ne sont pas d'origine
- D'événements exceptionnels

Si l'appareil est vendu ou donné, cela signifie qu'automatiquement le fabricant n'en est plus responsable à moins que le manuel n'accompagne l'appareil. Si l'appareil est transmis à un autre utilisateur dans un pays dont la langue d'usage est différente, il incombe au premier utilisateur de fournir une copie de ce manuel traduit correctement dans la langue du pays où l'appareil sera utilisé.

En cas de transfert de l'appareil, le premier utilisateur doit dévoiler au fabricant l'adresse du nouvel utilisateur pour que toutes les communications indispensables lui soient adressées.

OBLIGATIONS DE L'UTILISATEUR

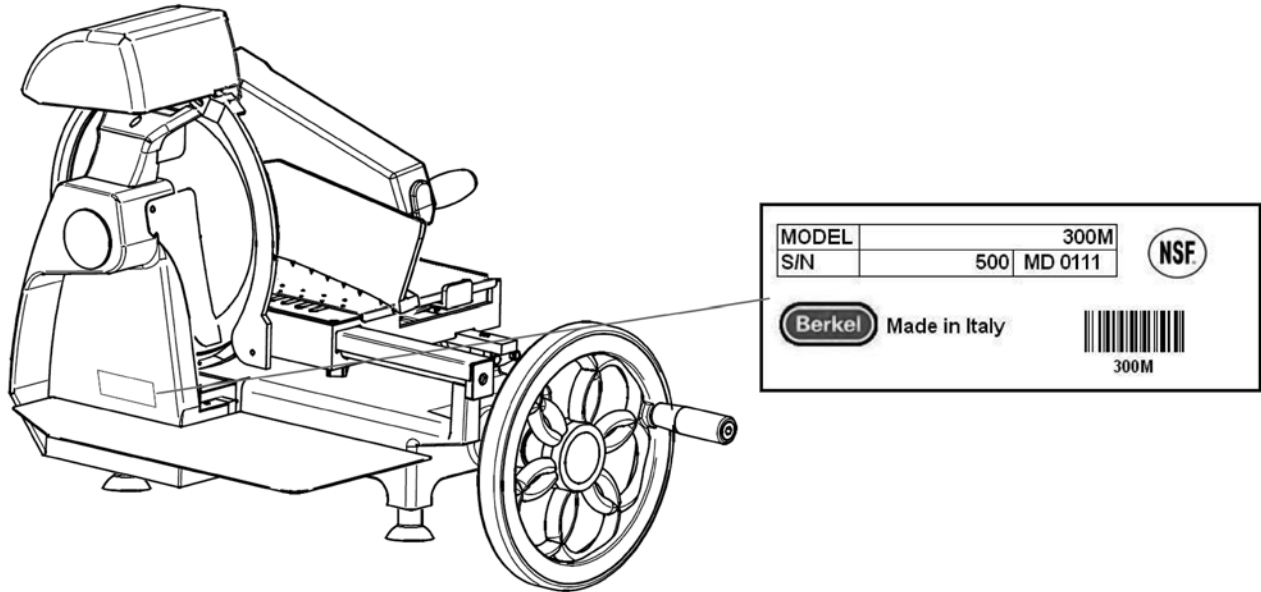
Pour que la garantie du fabricant reste valide, l'utilisateur doit se conformer scrupuleusement aux instructions contenues dans ce manuel et plus particulièrement:

- Toujours respecter les limites de la machine
- Toujours effectuer un entretien constant et assidu
- S'assurer que les personnes qui utilisent l'appareil soient qualifiées et capables de ce faire y compris le fait qu'elles doivent avoir lu ce manuel.

PLAQUES SIGNALÉTIQUES

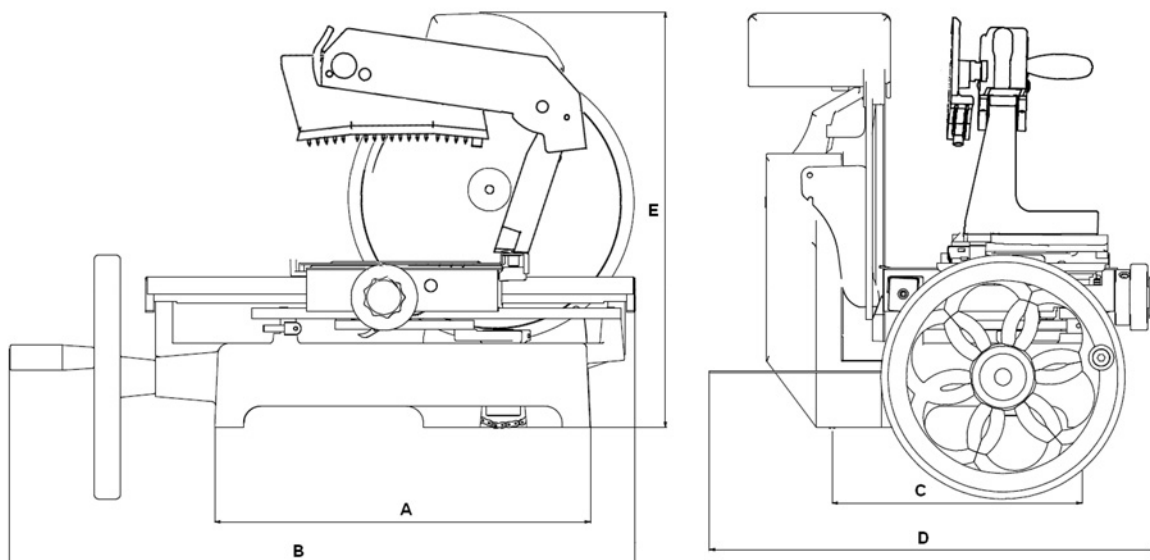
La plaque décrite ci-dessous est fixée sur l'appareil:

- La plaque d'identification du fabricant, la plaque de l'appareil, la fiche signalétique; elle est fixée sur le caisson, tel qu'illustré sur la photo.



CARACTÉRISTIQUES TECHNIQUES

PRINCIPALES DONNÉES TECHNIQUES



Réf.	Détail	mm
A	Écart entre les pieds	450
B	Distance maximale début/fin de course	750
C	Écart entre les pieds	335
D	Largeur maximale	540
E	Hauteur maximale	510

Diamètre/Lame	Course du chariot	Réglage d'épaisseur	Gabarit de tranchage	Poids net
300 mm	255 mm	0-3 mm	215 x 240 mm	44,5 kg

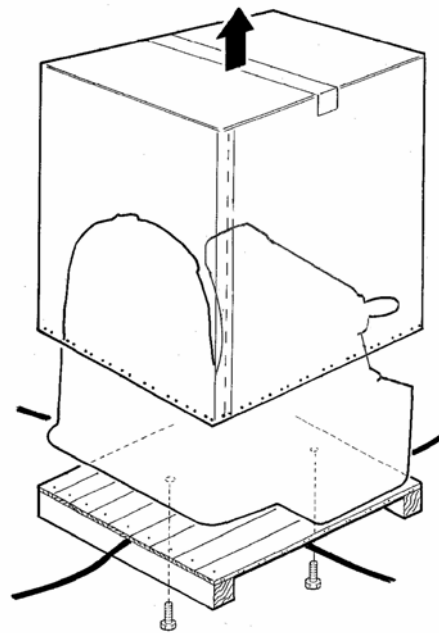
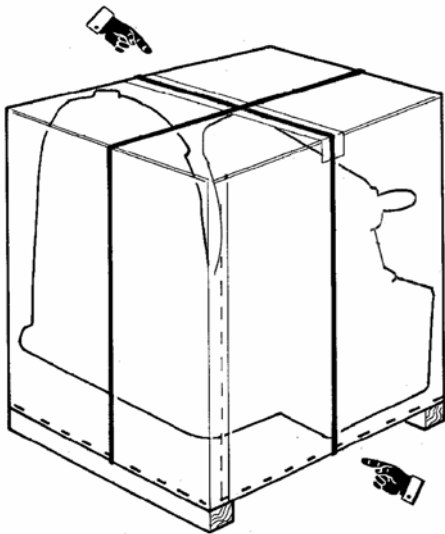
DESCRIPTION

DÉBALLAGE

Assurez-vous que l'emballage n'a pas été ouvert et n'est pas endommagé; si tel est le cas, avisez immédiatement le transitaire ou l'agence locale.

Pour retirer l'appareil de son emballage, procédez comme suit:

- Coupez et retirez les bandes en plastique
- Coupez la boîte en carton à la base fixée sur la palette
- Soulevez et retirez la boîte en carton; retirez les sacs de polyéthylène entourant le volant moteur et les pieds en caoutchouc
- Dévissez et retirez les deux boulons retenant l'appareil à la palette



DESCRIPTION GÉNÉRALE

La trancheuse a été conçue et fabriquée pour vous offrir: une sécurité maximale lors de son utilisation, pendant son nettoyage et durant son entretien régulier, une hygiène maximale par l'emploi de matériaux inoxydables ou protégés adéquatement contre l'oxydation, en même temps qu'une attention spéciale dans la conception de toutes les pièces venant en contact avec les aliments, une précision et une capacité de coupe maximales jumelées avec une structure robuste et fiable.

L'appareil est essentiellement composé d'un caisson soutenant une lame circulaire montée verticalement et un chariot coulissant sur des tiges, parallèlement au côté tranchant de la lame, chariot lui-même surmonté d'une plate-forme porte-produit.

Le porte-produit est fait d'une plaque d'appui et d'une plate-forme qui glisse à angle droit vers le rebord de la lame pour trancher les aliments; la plate-forme est également dotée d'un dispositif de retenue autonome qui peut être réglé en hauteur pour garder le produit solidement en place pendant les opérations de coupe (presse-aliments).

Le déplacement du chariot et la rotation de la lame sont entièrement manuels; en activant la rotation du volant moteur avec la poignée spéciale, le chariot est mis en mouvement et en même temps, grâce à une transmission par chaîne, la lame se met à tourner.

Le produit est tranché pendant le mouvement avant du chariot, parallèle à la lame; l'épaisseur des tranches se règle par un dispositif mécanique qui est automatiquement mis en marche à chaque fois que le chariot revient en arrière, plaçant la plate-forme de glisse transversalement vers la lame à une valeur prédéterminée par le volet à main gradué.

Tous les éléments composant l'appareil sont faits d'alliage d'aluminium léger, d'acier inoxydable et de plastique de calibre alimentaire répondant aux normes sanitaires en vigueur.

L'appareil est équipé d'une affûteuse dont l'utilisation est très facile et très sécuritaire.

Le porte-produit, l'affûteuse et le couvre-lame peuvent être retirés pour nettoyage.

AVERTISSEMENT

NE VOUS SERVEZ PAS de l'appareil si vous n'êtes pas en parfaite santé psychique et physique et NE LAISSEZ PERSONNE s'approcher de l'appareil pendant son utilisation; concentrez-vous lorsque vous chargez un produit et le tranchez. Soyez vigilant!

Ne tranchez que les produits permis; N'ESSAYEZ PAS de trancher des produits défendus.

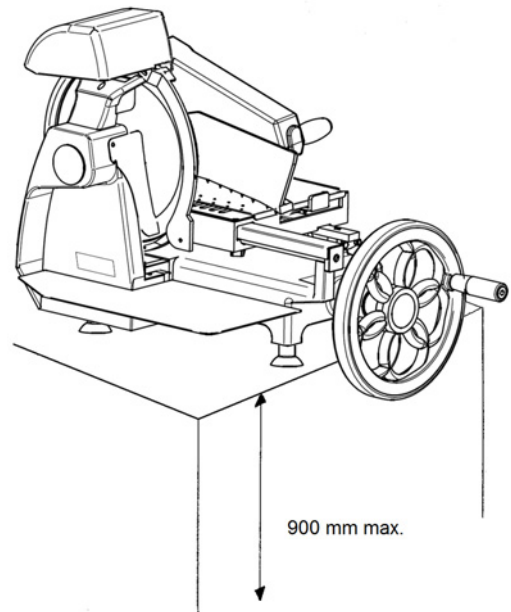
PORTEZ TOUJOURS DES GANTS DE SÉCURITÉ RÉSISTANT AUX COUPURES ET AUX DÉCHIRURES PENDANT LE NETTOYAGE, LA LUBRIFICATION ET L'AFFÛTAGE DE LA LAME.

INSTALLATION

INSTALLATION DE LA MACHINE

Si vous n'utilisez pas de socle, installez l'appareil sur une surface de niveau, sèche et capable de supporter le poids de la machine et des aliments à trancher.

Assurez-vous que rien ne puisse entraver le parcours du volant moteur, le déplacement du chariot et le chargement des aliments.



MANŒUVRE DU VOLANT MOTEUR

Le volant moteur (1), lorsque tourné dans le sens horaire permet de déplacer le chariot et la plate-forme alimentaire et simultanément d'activer la rotation de la lame.

BOUTON DE RÉGLAGE DE L'ÉPAISSEUR DES TRANCHES

Le réglage de l'épaisseur des tranches se fait en tournant le bouton à échelle graduée (2) dans le sens horaire.

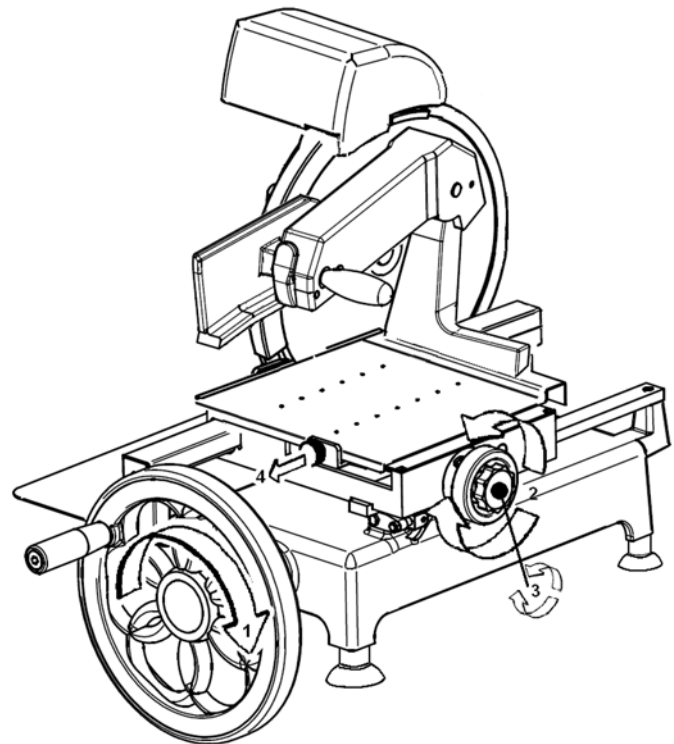
VOLET MANUEL DE DÉPLACEMENT DE LA PLATE-FORME

Le volet manuel (3) permet d'approcher rapidement le produit sur la plate-forme vers la lame après le chargement ou de l'éloigner de la lame après le tranchage ou pour des petits réglages.

LEVIER DE DÉPLACEMENT RAPIDE DE LA PLATE-FORME

Pour approcher rapidement la plate-forme vers la lame ou pour la ramener à la fin de l'opération de tranchage, tirez sur le levier (4).

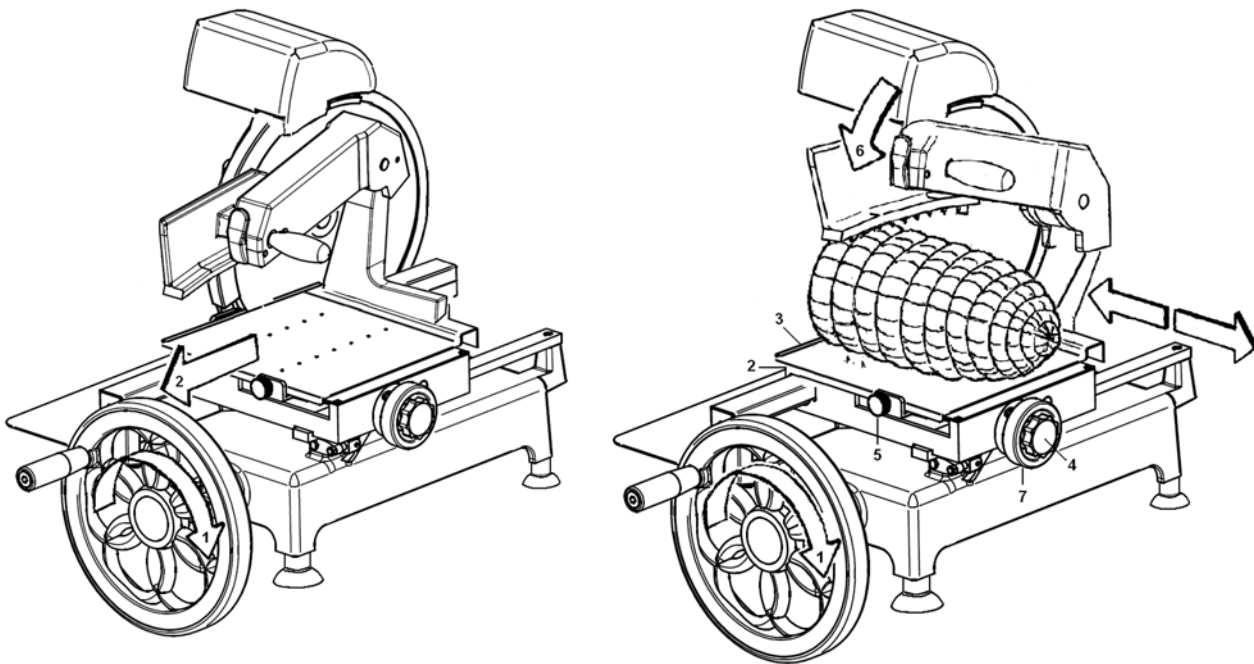
Cette opération est beaucoup plus rapide que celle que vous pouvez faire en utilisant le petit bouton manuel.



FONCTIONNEMENT DE L'APPAREIL

CHARGEMENT DES ALIMENTS

1. À l'aide du volant moteur (1), ramenez le chariot (2) complètement à l'avant (vers l'opérateur).
2. Faites glisser la plate-forme (3) jusqu'au bout (loin de la lame) à l'aide du volet manuel (4) ou du levier d'avance rapide (5).
3. Placez l'aliment à trancher sur la plate-forme et bloquez-le avec le presse-produit (6) tout en réglant en même temps la hauteur.
4. Réglez l'épaisseur des tranches en tirant et tournant le bouton en même temps (7). L'échelle de graduation va de 0 à 11.
5. Amenez la plate-forme porte-produit vers la lame à l'aide du levier d'avance rapide (5) ou du volet manuel (4).



TRANCHER LES ALIMENTS

1. Faites tourner le volant moteur dans le sens horaire (évités de tourner dans le sens antihoraire car cela pourrait endommager sérieusement la machine).
2. Lors du déplacement avant du chariot (loin de l'opérateur), les aliments seront amenés à la lame et la tranche, guidée par le déflecteur de tranches, tombera sur la plaque réceptrice du bas.
3. Pendant le mouvement de retour du chariot (vers l'opérateur), le dispositif mécanique faisant avancer la plate-forme porte-produit transversalement vers la lame sera mis en mouvement, sa valeur ayant été pré déterminée par le bouton de réglage de l'épaisseur des tranches.

NETTOYAGE DE LA TRANCHEUSE

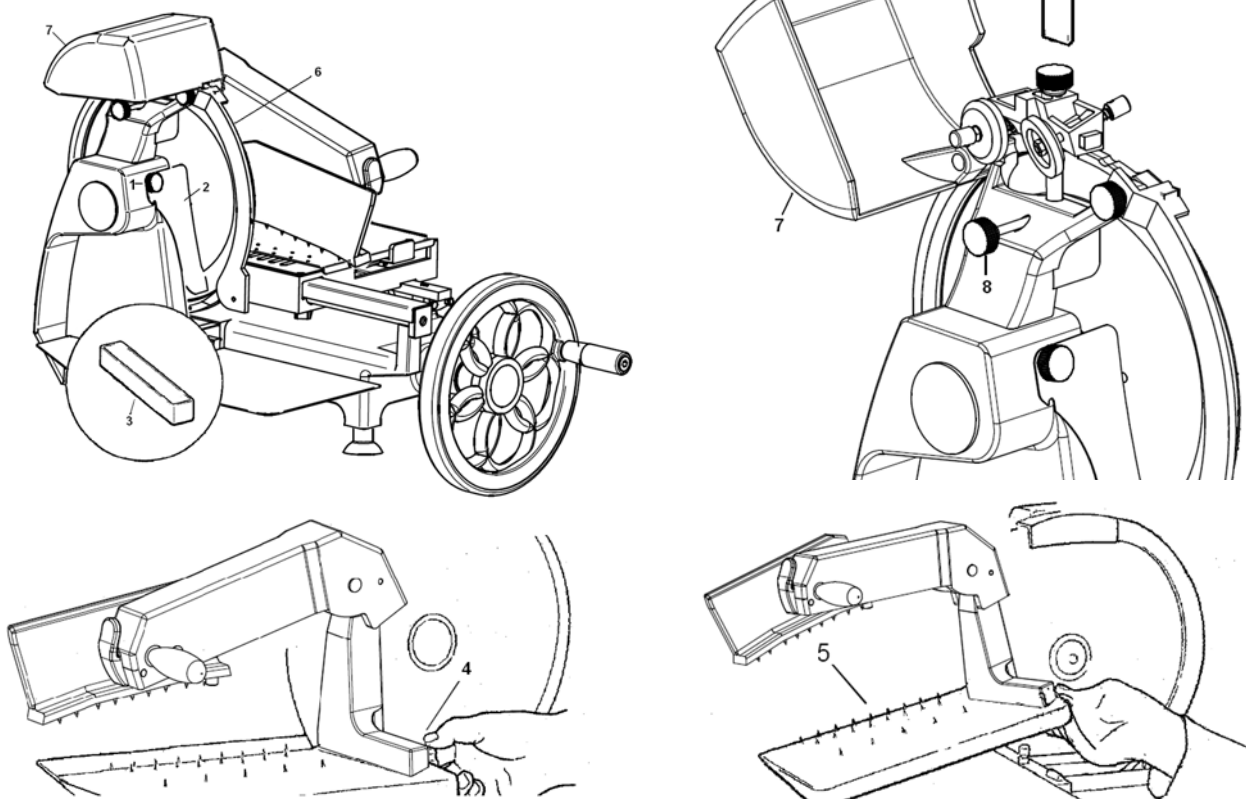
INFORMATIONS GÉNÉRALE

L'appareil doit être nettoyé correctement au moins une fois par jour et si nécessaire, encore plus souvent. Si un appareil n'a pas servi pendant un certain temps, il doit aussi être nettoyé avant son utilisation.

⚠ AVERTISSEMENT

Risque de coupures! Portez des gants de sécurité résistant aux coupures et aux déchirures et restez concentré sur le travail à faire. SOYEZ TRÈS PRUDENT!

1. Dévissez le bouton (1) pour retirer le déflecteur de tranches (2)
2. Retirez le bac à déchets (3).
3. Dévissez le bouton (4) et soulevez la plate-forme de glisse (5) et son bras presse-aliments.
4. Retirez le couvre-lame (6).
5. Soulevez le couvercle (7), dévissez le bouton (8) pour retirer l'affûteuse.



Nettoyez toutes les pièces démontées, le caisson de la machine, etc. avec de l'eau chaude et un détergent à vaisselle moussieux bio dégradable à une température supérieure à 30 °C en vous servant d'un chiffon doux spongieux et d'une brosse en nylon si nécessaire pour les pointes acérées de la plate-forme et du presse-produit.

Rincez à fond avec beaucoup d'eau chaude fraîche et asséchez avec un chiffon doux ou un matériel spongieux.

⚠ AVERTISSEMENT

NE LAVEZ PAS l'appareil avec un pulvérisateur d'eau ou de vapeur ou dispositifs similaires.

ENTRETIEN ET RÉPARATIONS

INFORMATION GÉNÉRALE

Il est permis à l'opérateur de faire l'entretien suivant:

- Affûtage périodique de la lame; l'intervalle et la durée de l'affûtage dépend bien sûr de l'utilisation de l'appareil (périodes de travail et types de produits traités).
- La lubrification des tiges de guidage du chariot et de la plate-forme de glisse: hebdomadairement
- Réglage des deux engrenages coniques: au besoin. Voir le paragraphe pertinent.

L'entretien qui doit être fait exclusivement par du personnel autorisé par le fabricant est le suivant:

- Le remplacement de la lame
- Le remplacement des pierres de l'affûteuse
- Le remplacement de la chaîne
- La réparation des pièces de la structure, la réparation et/ou le remplacement des éléments sous le caisson

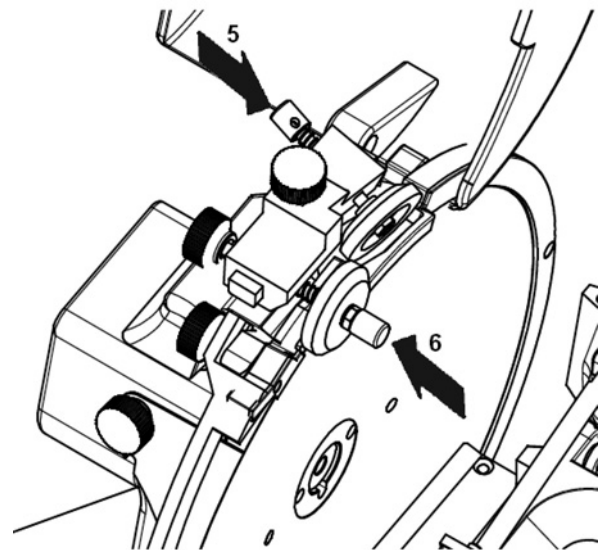
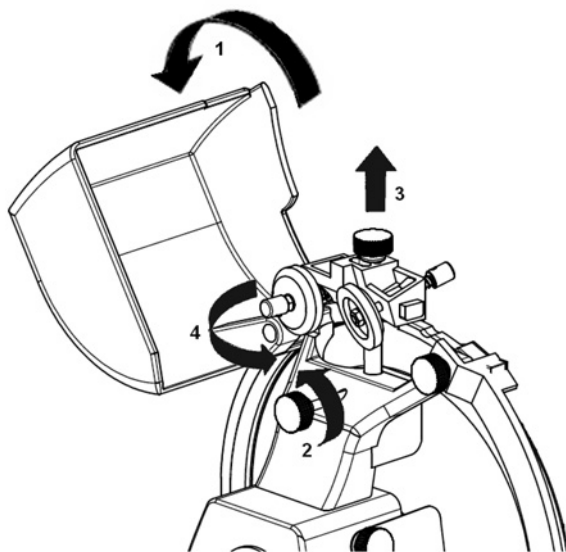
AFFÛTAGE DE LA LAME

Suivez les étapes ci-dessous dès que vous remarquez que l'efficacité du tranchage est amoindrie:

⚠ AVERTISSEMENT

Risque de coupures! Portez des gants de sécurité résistant aux coupures et aux déchirures et restez concentré sur le travail à faire. SOYEZ TRÈS PRUDENT!

1. Retirez le déflecteur de tranches.
2. Nettoyez la lame à l'aide d'alcool dénaturé ou d'eau chaude.
3. Soulevez le couvercle (1).
4. Dévissez le bouton de verrouillage du dispositif d'affûtage (2).
5. Soulevez l'affûteuse (3) et faites-la pivoter de 180° (4).
6. Faites-la retomber et resserrez le bouton de verrouillage jusqu'au bout.
7. Actionnez la rotation de la lame.
8. Commencez l'affûtage de la lame en appuyant sur le bouton de la pierre d'affûtage en le gardant enfoncé pendant 10 à 15 secondes (5).
9. Appuyez sur le bouton d'ébarbage et gardez-le enfoncé pendant 2 à 3 secondes (6).
10. Arrêtez la lame.
11. Remettez l'affûteuse à sa position d'origine et refermez le couvercle.

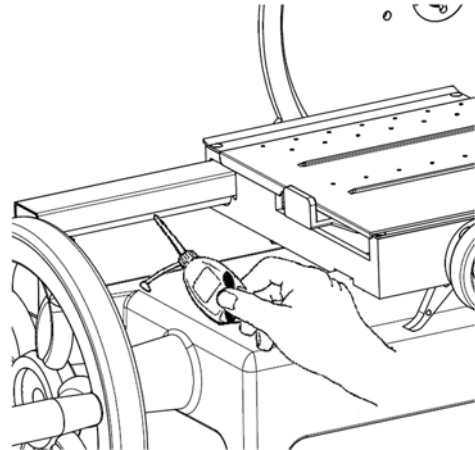


REMARQUE: pour éviter d'endommager le tranchant de la lame, ne prolongez pas l'opération d'ébarbage plus de 2 à 3 secondes.

LUBRIFICATION DES TIGES DE GUIDAGE DU CHARIOT ET DE LA PLATE-FORME

1. Après chacun des nettoyages de l'appareil, mettez quelques gouttes d'huile le long des tiges de glisse du chariot (3).
2. Faites tourner brièvement le volant moteur.

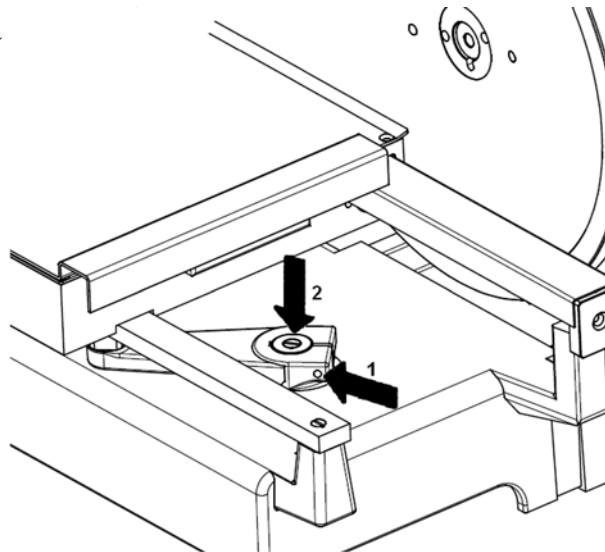
REMARQUE: n'utilisez que de la gelée de pétrole blanche. Ne vous servez-pas d'huiles végétales.



AJUSTEMENT DES DEUX ENGRENAGES CONIQUES

S'il y a trop de jeu dans le volant moteur au début de la rotation, faites ce qui suit pour l'éliminer:

1. Desserrez la vis (1).
2. Dévissez d'un quart de tour (2) jusqu'à ce que tout le jeu soit disparu.



DÉMANTÈLEMENT DE LA TRANCHEUSE

Les appareils sont constitués ainsi:

- D'une structure d'alliage d'aluminium
- D'insertions et de pièces variées en acier inoxydable
- De pièces et de fils électriques, etc.
- D'un moteur électrique
- De matériaux en plastiques, etc.

Si le démontage et le démantèlement doivent être faits par des tiers, ne contactez que des firmes autorisées dans la démolition des matériaux mentionnés ci-dessus. Si vous décidez de procéder au démantèlement vous-même, les matériaux doivent être séparés selon leur type et vous devez faire appel à une firme spécialisée pour en disposer. Observez toujours la réglementation en vigueur dans votre pays.