

VMF061EV2

Start Prod 01/09/2019 End Prod

VIEW 10 : Unit assembly

serial number start :

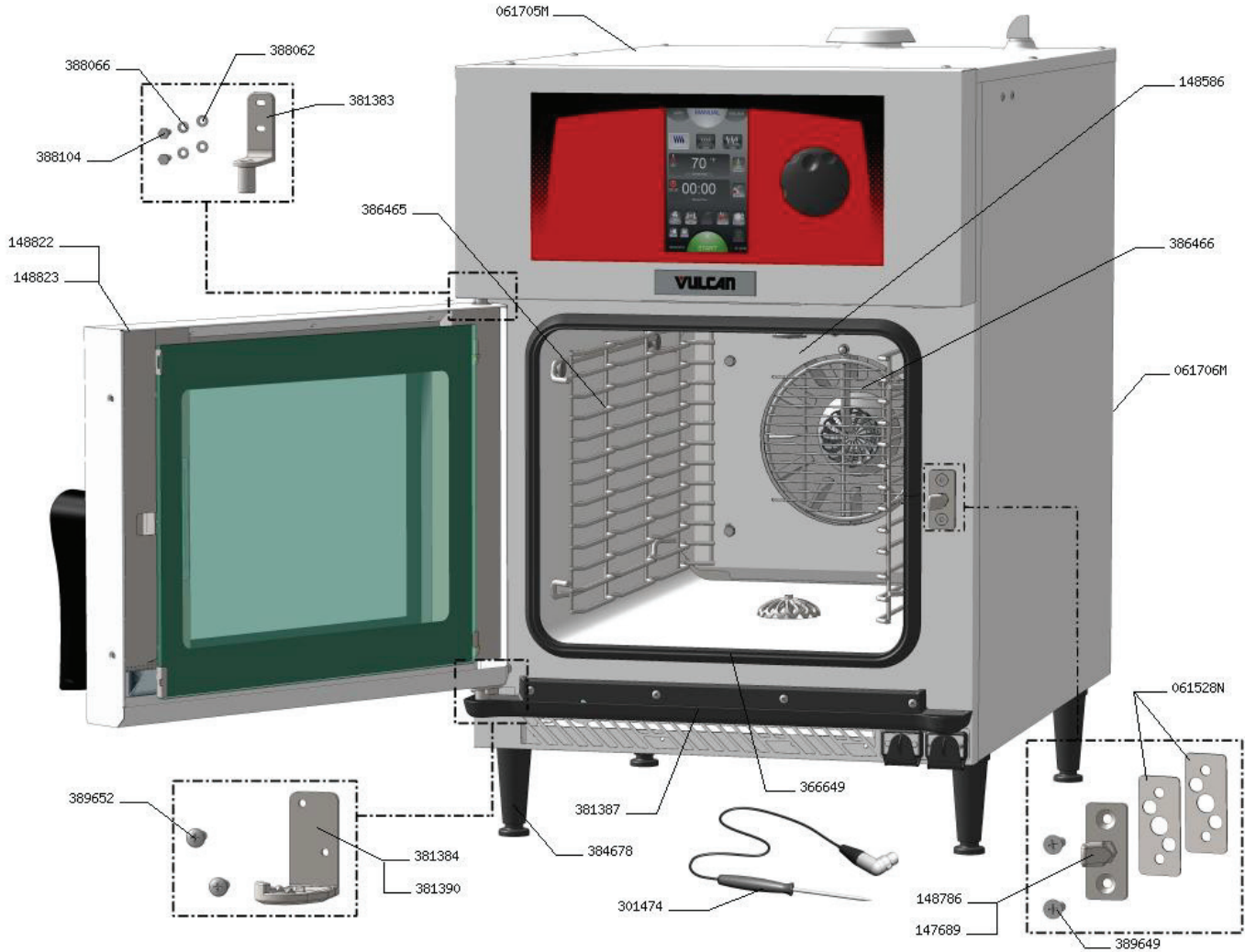
serial number end :

Start Date : 01-09-2019

End Date : 00-00-0000

Legend :

| | |
|---|------------------|
| | Spare Part |
| ! | Recommended Part |
| ⚠ | Wearing Part |



| CODE | NAME | COMENTS | CAT |
|---------|--|---------|-----|
| 301474 | 4 point temperature probe with NEUTRIK connector | | |
| 061528N | Door catch spacer | | |
| 388066 | Size 4 stainless steel AZ tooth lockwasher | | |
| 388062 | M4 stainless steel flat washer | | |
| 381387 | Plastic trough | | |
| 381383 | Upper hinge | | |
| 389652 | Stainless dome head screw M6 x 16 NF E 25122 | | |
| 381384 | Lower hinge | | |
| 381390 | Handed door lower hinge | | |
| 389649 | A2 stainless countersunk PZ screws DIN 965 M6 x 30 | | |
| 366649 | Cavity seal | | |
| 386466 | Ventilation duct grill | | |
| 386465 | Compact oven runner | | |
| 061705M | Oven top | | |
| 388104 | TH 4x12 stainless steel screw | | |
| 148823 | Fitted sub assembly MJ2 handed door | | |
| 148822 | Fitted sub assembly MJ2 door | | |
| 061706M | Rear of the oven | | |

VMF061EV2

Start Prod 01/09/2019 End Prod

| CODE | NAME | COMENTS | CAT |
|--------|-----------------------------------|---|-----|
| 148586 | Ventilation duct sub assembly | Compose de la gaine, la grille et du tube d'injection | |
| 147689 | Aftersales door catch | Door closure safety kit | |
| 384678 | Non slip black thermoplastic foot | | |
| 148786 | Door catch | | |

VMF061EV2

Start Prod 01/09/2019 End Prod

VIEW 20 : Control panel

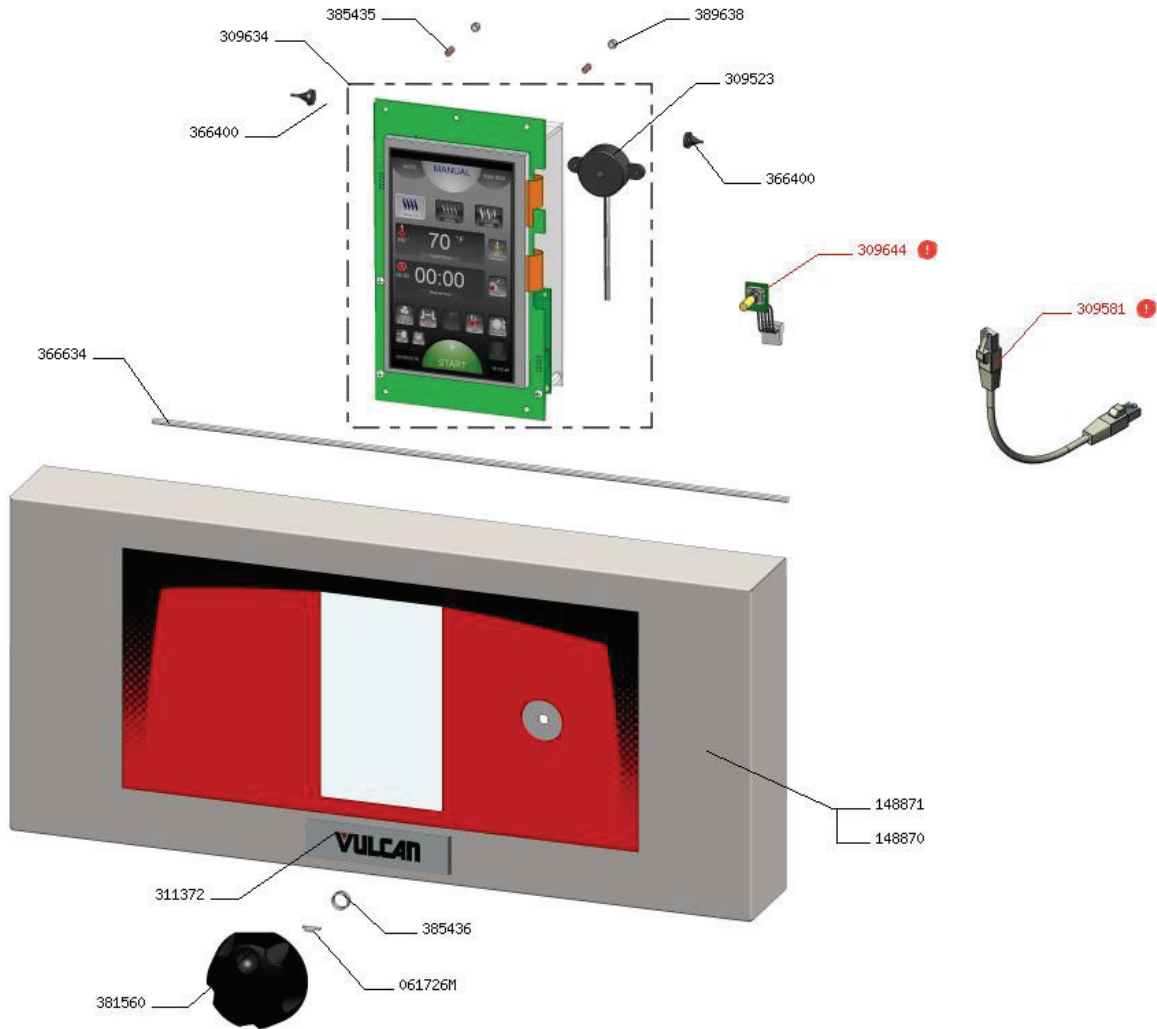
serial number start :

serial number end :

Start Date : 01-09-2019

End Date : 00-00-0000

| Legend : | |
|----------|------------------|
| | Spare Part |
| | Recommended Part |
| | Wearing Part |



| CODE | NAME | COMENTS | CAT |
|---------|---|---|-----|
| 381560 | Control button | | |
| 385436 | Coder spring ring | | |
| 309644 | VISIOPAD coder | | |
| 385435 | Screen card spring | | |
| 309581 | Inter card cable | | |
| 061726M | Coder spacer | | |
| 366400 | Rubber stop | | |
| 366400 | Rubber stop | | |
| 366634 | Adhesive silicone seal 3 x 5mm | | |
| 389638 | A2 stainless blind nuts M3 DIN 1587 | | |
| 309523 | Buzzer | | |
| 148871 | Glued Vulcan control panel | | |
| 148870 | Sub assembly: Vulcan control panel fully fitted | Tableau de commande complet avec ensemble interface, codeur, bouton de regulation | |
| 309634 | FastPAD 2 interface assembly | Voir Quick Guide 390990 | |
| 311372 | VULCAN logo | | |

VMF061EV2

Start Prod 01/09/2019 End Prod

VIEW 30 : Door sub assembly

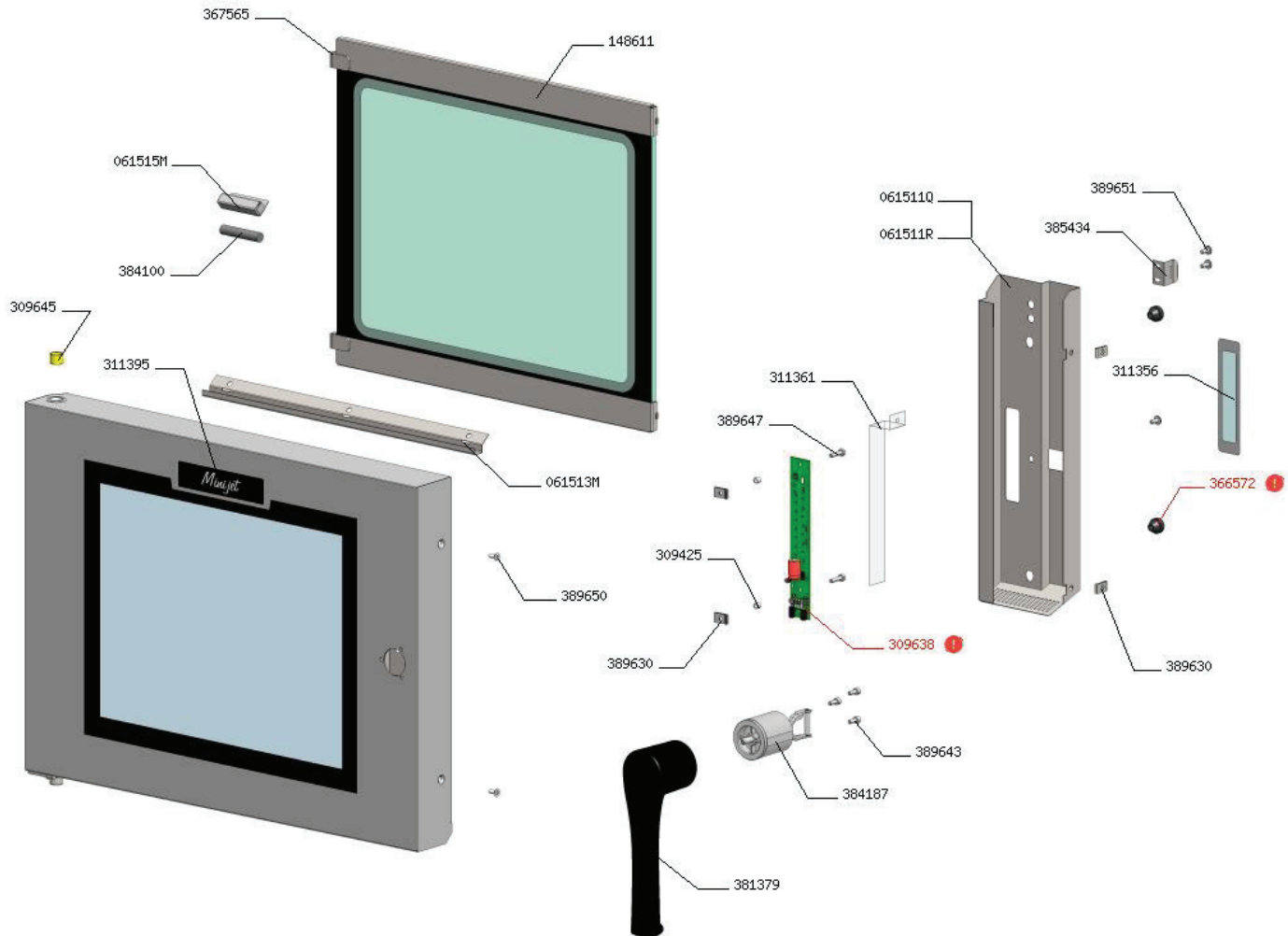
serial number start :

serial number end :

Start Date : 01-09-2019

End Date : 00-00-0000

| Legend : | |
|----------|------------------|
| | Spare Part |
| ! | Recommended Part |
| ⚠ | Wearing Part |



| CODE | NAME | COMENTS | CAT |
|---------|---|---------|-----|
| 148611 | Interior glass sub assembly | | |
| 061515M | Magnet support | | |
| 384100 | 10 x 50 diameter magnet | | |
| 061513M | Door top cladding | | |
| 385434 | Interior door catch plate | | |
| 366572 | Door stop | | ! |
| 311356 | LED strip label | | |
| 311361 | LED strip protective film | | |
| 309638 | LED strip | | ! |
| 389643 | A2 stainless screw TCHC m4 x 10 ISO 4762 | | |
| 389630 | M4 stainless quick lock nut | | |
| 309425 | 5 mm long smooth spacer | | |
| 389630 | M4 stainless quick lock nut | | |
| 309645 | Nylon tubular spacer 4.2 x 8 x 5 diameter | | |
| 061511R | Door panelling | | |
| 061511Q | Door panelling | | |
| 389651 | A2 stainless TBBCR M4 x 12 screws | | |
| 384187 | Door closure mechanism | | |



VMF061EV2- Vulcan:Minijet FasPad 6 Levels GN1/1 Elec

VMF061EV2

Start Prod 01/09/2019 End Prod

| CODE | NAME | COMENTS | CAT |
|--------|--|---------|-----|
| 381379 | Moulded door handle | | |
| 389650 | A2 stainless countersunk PZ screws DIN 965 M4 x 10 | | |
| 389647 | Stainless domed head screw Torx M4 x 20 ISO 7380-2 | | |
| 311395 | Vulcan Minijet label | | |
| 367565 | Brass distancer, diameter 8 x 5 | | |

VMF061EV2

Start Prod 01/09/2019 End Prod

VIEW 40 : Electric circuit

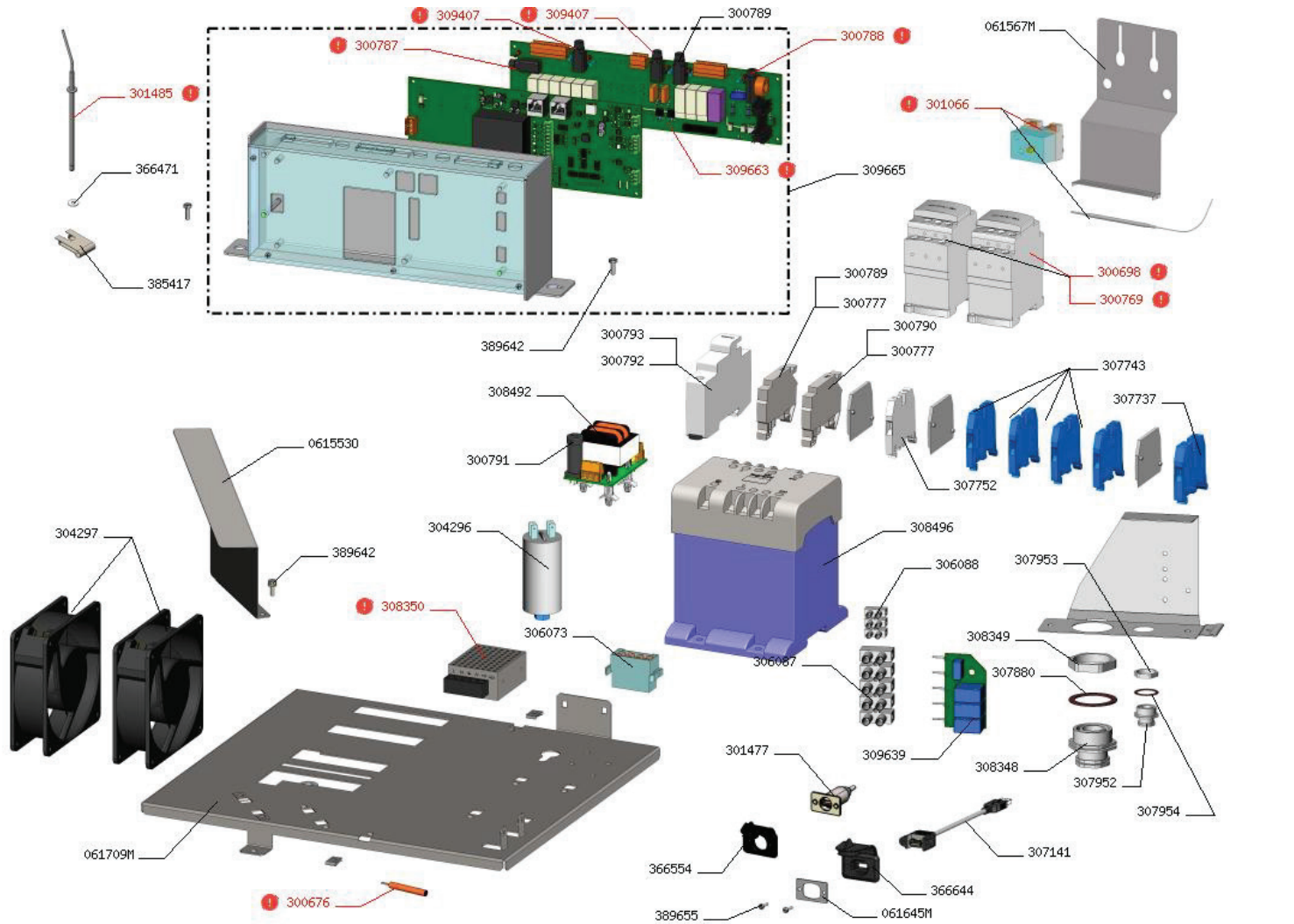
serial number start :

serial number end :

Start Date : 01-09-2019

End Date : 00-00-0000

| Legend : | |
|----------|------------------|
| | Spare Part |
| ! | Recommended Part |
| ⚠ | Wearing Part |



| CODE | NAME | COMENTS | CAT |
|---------|--|--|-----|
| 306087 | 400V 40A 12 pole connection strip | | |
| 309639 | CEM filter | | |
| 300676 | Reed switch | | ! |
| 300769 | Anti-interference relay | A commander avec contacteur 300697, 300698, 300699, 300700 | ! |
| 301485 | 1 point regulation probe, PT 100 | | ! |
| 366471 | J thermocouple joint | | |
| 385417 | Probe blocking spring | | |
| 389642 | Stainless flared base nut M4 x 10 ISO 7380-2 | | |
| 306073 | Femal box connection | | |
| 309407 | Fuse 3.15 Amps | | ! |
| 309407 | Fuse 3.15 Amps | | ! |
| 300787 | Ultra fast fuse 0.2A 250V 5 x 20 | | ! |
| 300788 | 10amp 5 x 20 fuse | | ! |
| 309663 | FastPAD 2 Max UL relay connection | | ! |
| 366554 | Gasket and core probe or USB socket plug | | |
| 301477 | Neutrik BASE for temperature probe | | |
| 0615530 | Ventilation deflector | | |
| 307141 | USB 2 extension | USB kit | |

VMF061EV2

Start Prod 01/09/2019 End Prod

| CODE | NAME | COMENTS | CAT |
|---------|--|---------|-----|
| 366644 | USB port cover seal | USB kit | |
| 061645M | USB port back plate | USB kit | |
| 389655 | A2 stainless TCL DIN 85 screws | | |
| 307752 | Grey terminal block M4/6 | | |
| 307743 | Neutral terminal M4/6N | | |
| 308350 | Switching regulator 15V 15W RS 15-15 | | ! |
| 061709M | Electric board | | |
| 389642 | Stainless flared base nut M4 x 10 ISO 7380-2 | | |
| 301066 | Manual resetting 320°C thermostat + nut | | ! |
| 061567M | Safety thermostat support | | |
| 300698 | Three-pole 32A 230V 50/60 Hz contactor | | ! |
| 300789 | 5 x 20 fast fuse 1amp | | |
| 309665 | FASTPAD 2 Maxi UL power assembly | | |
| 304297 | Ventilation fan 120 x 120 x 38 230/50/60 UL | | |
| 307737 | M10/10 blue terminal block | | |
| 308492 | Vent transformer 230V/24 UL | | |
| 300791 | Time delay fuse 250mA | | |
| 300792 | Fuse holder 10.3 x 38.1 | | |
| 300793 | 600VAC fuse 10A 10.3 x 38.1 | | |
| 304296 | Condenser 12.5µf | | |
| 308496 | Single phase transformer for Minijet UL | | |
| 300777 | Connection fuse holder 5 x 20 5 x 25 | | |
| 300790 | SHURTER fuse 2A 250V FSF 5 x 20 | | |
| 300777 | Connection fuse holder 5 x 20 5 x 25 | | |
| 300789 | 5 x 20 fast fuse 1amp | | |
| 306088 | 400V 10A 3 pole connection strip | | |
| 308349 | Cable gland lock nut UL HB PG21 PA6FV | | |
| 307880 | Neoprene gland gasket | | |
| 308348 | Cable gland UL V2 PG21 PA6FV | | |
| 307952 | Plastic gland PE9 | | |
| 307953 | Polycarbonate gland nut PE9 | | |
| 307954 | Flat neoprene gasket for PE9 gland | | |

VMF061EV2

Start Prod 01/09/2019 End Prod

VIEW 50 : Hydraulic circuit

serial number start :

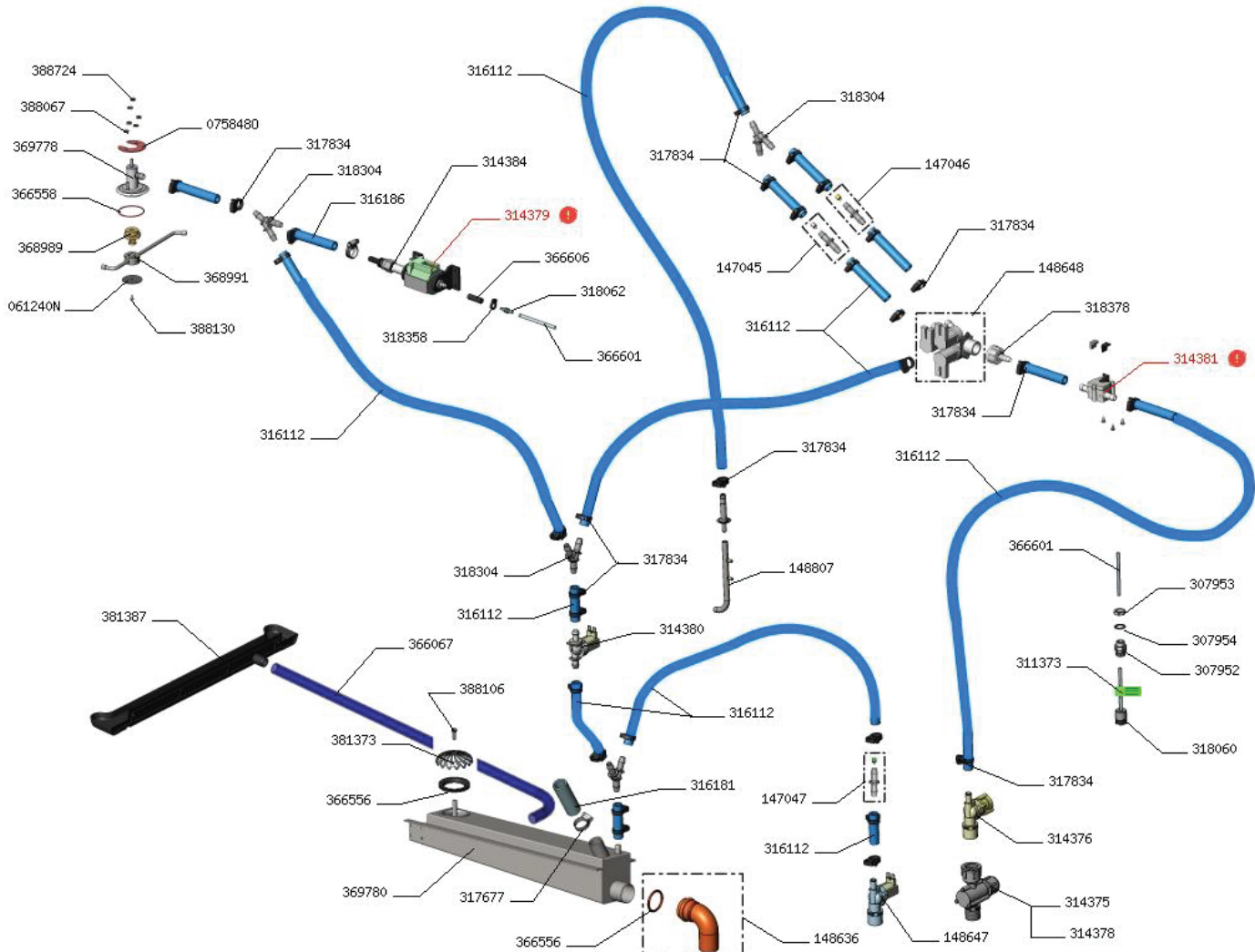
serial number end :

Start Date : 01-09-2019

End Date : 00-00-0000

Legend :

| | |
|---|------------------|
| | Spare Part |
| ! | Recommended Part |
| ⚠ | Wearing Part |



| CODE | NAME | COMENTS | CAT |
|--------|---|---------|-----|
| 366556 | Capacity drainage gasket | | |
| 148636 | Copper elbow sub assembly with O ring D35 MF | | |
| 147045 | Straight fitting + 0.25 L/min flow-rate regulator subassembly (white) | | |
| 147046 | Straight fitting + 0.5 L/min flow-rate regulator subassembly (yellow) | | |
| 318304 | Y-shaped coupling (equal branches), diameter 10 | | |
| 317834 | Double female plastic clamp 15/17,2 | | |
| 366601 | 4 x 6 PVC hose per meter | | |
| 307953 | Polycarbonate gland nut PE9 | | |
| 307954 | Flat neoprene gasket for PE9 gland | | |
| 307952 | Plastic gland PE9 | | |
| 318060 | Base weight | | |
| 314375 | Straight cold water arrival filter M3/4, 125 mμ | | |
| 316112 | Armoured hose | | |
| 366067 | 15/21 transparent silicone tube (per meter) | | |
| 366556 | Capacity drainage gasket | | |
| 316181 | Silicone tube 25 x 32 dia. 60SH | | |
| 317677 | 32/50 diameter stainless steel tightening clamp | | |

VMF061EV2

Start Prod 01/09/2019 End Prod

| CODE | NAME | COMENTS | CAT |
|---------|--|---------|-----|
| 388106 | TH 5 x 16 stainless steel screw | | |
| 314378 | Filter | | |
| 311373 | Cleaning product identification label | | |
| 317834 | Double female plastic clamp 15/17,2 | | |
| 148807 | Injection tube sub assembly | | |
| 314381 | FHKUC flow meter | | ! |
| 318378 | Straight plastic cover connector nut 3/4 x 10 | | |
| 317834 | Double female plastic clamp 15/17,2 | | |
| 317834 | Double female plastic clamp 15/17,2 | | |
| 316112 | Armoured hose | | |
| 317834 | Double female plastic clamp 15/17,2 | | |
| 316112 | Armoured hose | | |
| 381387 | Plastic trough | | |
| 381373 | Moulded drain grill | | |
| 318304 | Y-shaped coupling (equal branches), diameter 10 | | |
| 316112 | Armoured hose | | |
| 366601 | 4 x 6 PVC hose per meter | | |
| 388130 | Stainless steel screw TC 3 x 6 | | |
| 061240N | Spraying washer | | |
| 368991 | Rotating cleaning head | | |
| 368989 | Rotating head support | | |
| 366558 | 250 degrees heat-resistant silicone o'ring | | |
| 318304 | Y-shaped coupling (equal branches), diameter 10 | | |
| 317834 | Double female plastic clamp 15/17,2 | | |
| 314379 | CP2A pump | 60Hz | ! |
| 318062 | Polypropylen reduced coupling 4,8-4 | | |
| 318358 | Double diameter plastic clamp 9.2 - 10.5 | | |
| 366606 | Reinforced Hose 5x10 | | |
| 317834 | Double female plastic clamp 15/17,2 | | |
| 369778 | Wash arm support | | |
| 0758480 | Washing arm tightening ring | | |
| 388724 | Bras hex M5 nut | | |
| 388067 | Size 5 stainless steel AZ tooth lockwasher | | |
| 316112 | Armoured hose | | |
| 314384 | After sales kit, connection and seal | | |
| 316186 | EPDM 10mm ID dia smooth black hose | | |
| 316112 | Armoured hose | | |
| 369780 | Drain box without overflow | | |
| 314380 | Direct action solenoid DV118/A230VR UL | | |
| 147047 | Straight fitting + 0.8 L/min flow-rate regulator subassembly (olive green) | | |
| 148647 | Sub assembly: single solenoid UL 10litres/min | | |
| 316112 | Armoured hose | | |
| 314376 | 10 dia. entry pressure regulator M3/4, 3 bar | | |
| 148648 | Sub assembly: triple solenoid UL 2 x 10litres/min + 1 x 5 litres | | |

VMF061EV2

Start Prod 01/09/2019 End Prod

VIEW 60 : Motor + fan sub assembly

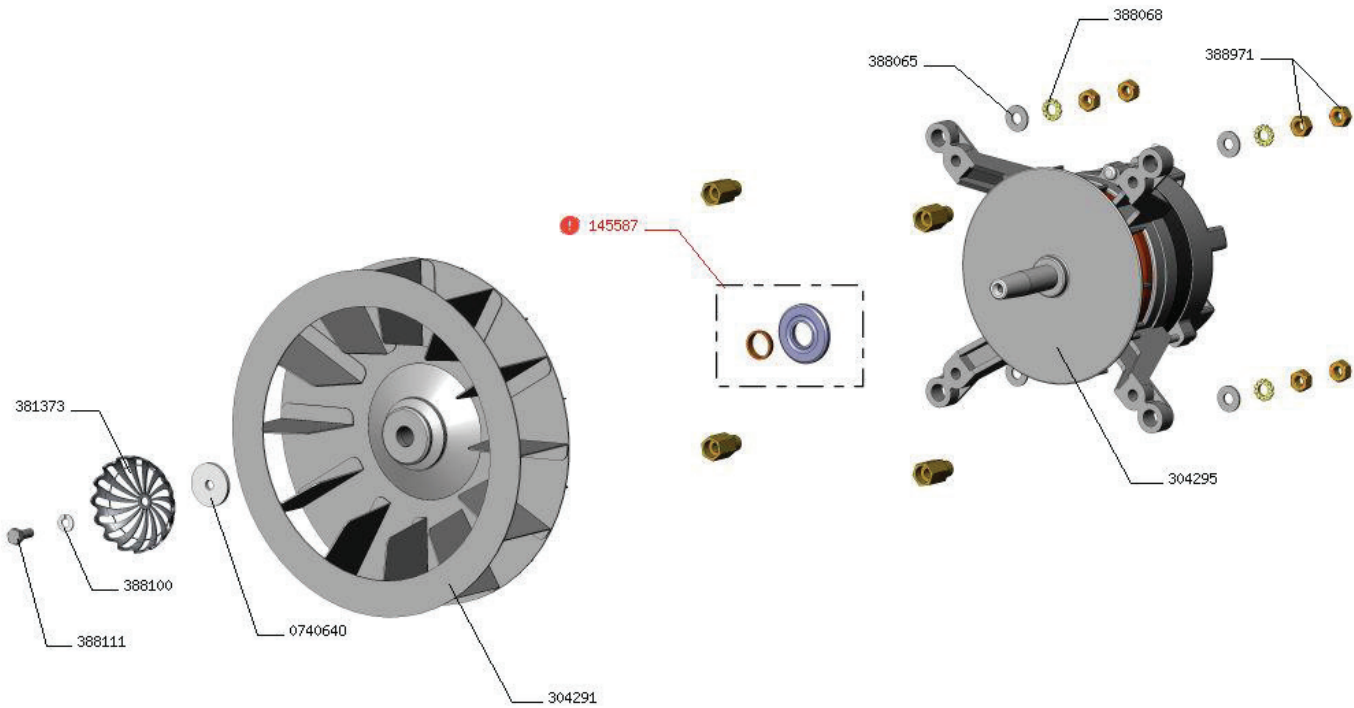
serial number start :

serial number end :

Start Date : 01-09-2019

End Date : 00-00-0000

| Legend : | |
|----------|------------------|
| | Spare Part |
| ! | Recommended Part |
| ⚠ | Wearing Part |



| CODE | NAME | COMENTS | CAT |
|---------|--|---------|-----|
| 304291 | 12 blade fan | | |
| 388100 | 6 diameter stainless steel washer | | |
| 388111 | TH 6 x 16 stainless steel screw | | |
| 145587 | Drive shaft gasket + wear ring | | ! |
| 388065 | M8 stainless steel flat washer | | |
| 388068 | Size 8 stainless steel AZ tooth lockwasher | | |
| 388971 | Brass nut M8 HU as per DIN 934 | | |
| 0740640 | 30 m/m washer of driving shaft end | | |
| 381373 | Moulded drain grill | | |
| 304295 | UL Motor | | ⚠ |

VMF061EV2

Start Prod 01/09/2019 End Prod

VIEW 70 : Element sub assembly

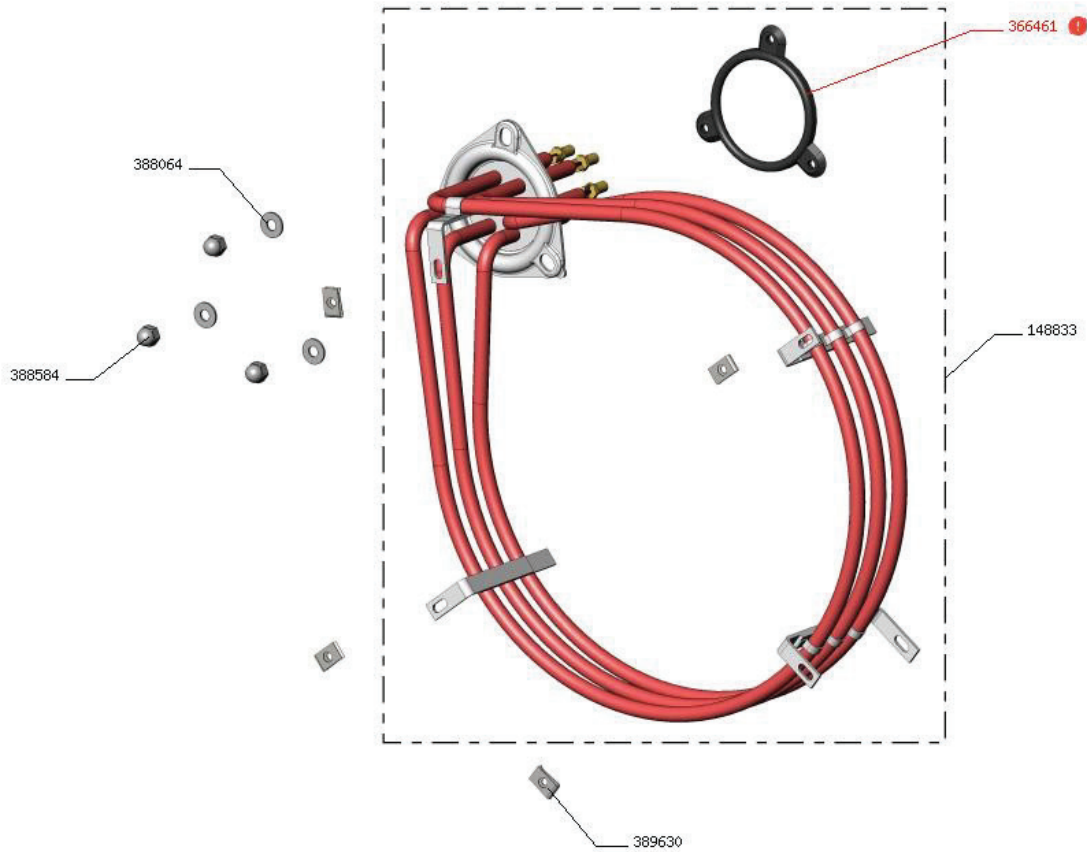
serial number start :

serial number end :

Start Date : 01-09-2019

End Date : 00-00-0000

| Legend : | |
|----------|------------------|
| | Spare Part |
| | Recommended Part |
| | Wearing Part |



| CODE | NAME | COMENTS | CAT |
|--------|---|--------------------|-----|
| 366461 | Heating element + immersion heater gasket | | |
| 389630 | M4 stainless quick lock nut | | |
| 388064 | M6 stainless steel flat washer | | |
| 388584 | Stainless steel M6 blind nut | | |
| 148833 | After sales kit, 6kW element for Minijet | Resistance + joint | |

VMF061EV2

Start Prod 01/09/2019 End Prod

VIEW 80 : Motorised vent valve sub assembly

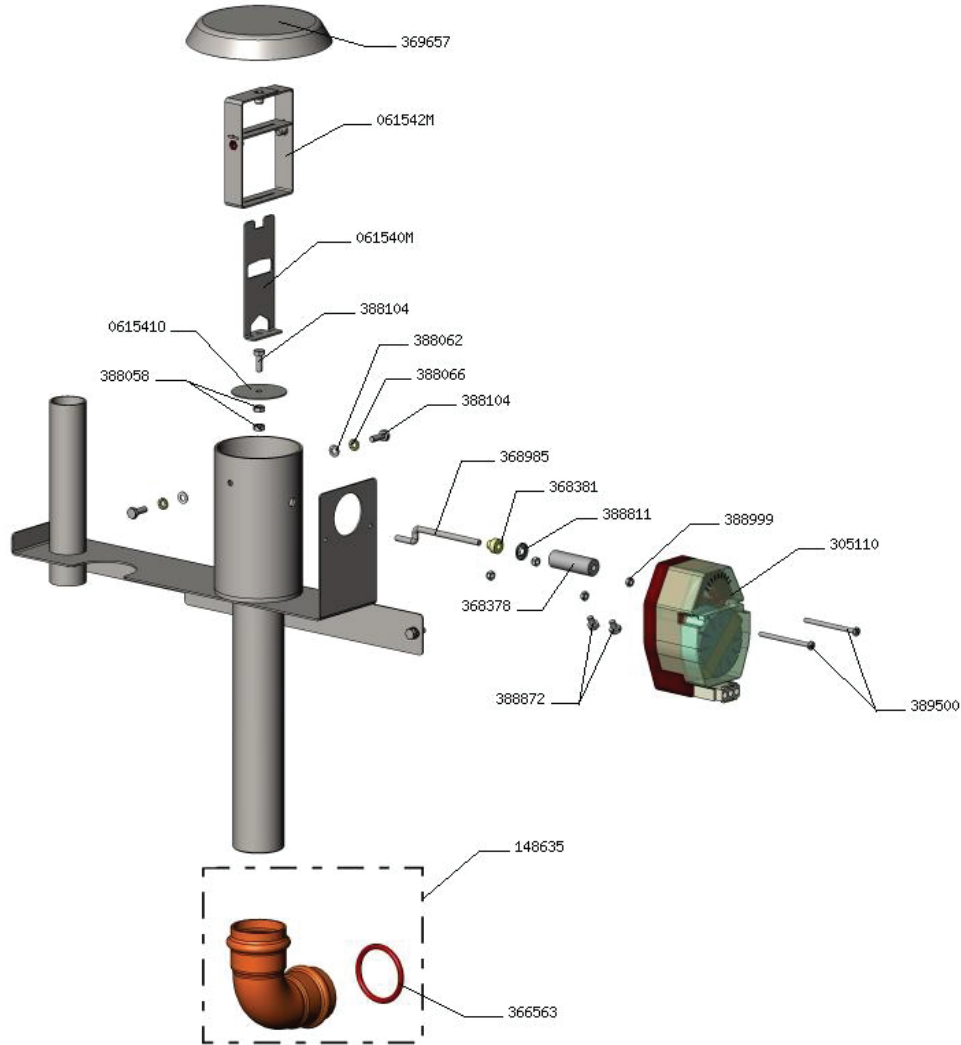
serial number start :

serial number end :

Start Date : 01-09-2019

End Date : 00-00-0000

| Legend : | |
|----------|------------------|
| | Spare Part |
| | Recommended Part |
| | Wearing Part |



| CODE | NAME | COMENTS | CAT |
|---------|---|---------|-----|
| 368985 | Vent crank | | |
| 389500 | Split head stainless steel screw, size 3 x 45 | | |
| 368378 | Motor / flue link | | |
| 368381 | Connecting rod bearing | | |
| 388811 | Washer diameter 11,5 x 1,3 | | |
| 388872 | TH M4 x 6 stainless steel screw | | |
| 061542M | Vent hanger | | |
| 369657 | Vent cover | | |
| 0615410 | Vent flap | | |
| 388058 | Stainless steel HU 4 nut | | |
| 388104 | TH 4x12 stainless steel screw | | |
| 061540M | Vent valve cam | | |
| 388104 | TH 4x12 stainless steel screw | | |
| 388066 | Size 4 stainless steel AZ tooth lockwasher | | |
| 388062 | M4 stainless steel flat washer | | |
| 366563 | 250°C red silicone O ring | | |
| 148635 | Copper elbow sub assembly with O ring D35 MF | | |
| 305110 | 24V Motor/gearbox | | |



VMF061EV2- Vulcan:Minijet FasPad 6 Levels GN1/1 Elec

VMF061EV2

Start Prod 01/09/2019 End Prod

| CODE | NAME | COMENTS | CAT |
|--------|-------------------------------------|---------|-----|
| 388999 | Stainless steel Nylstop M3 lock nut | | |